

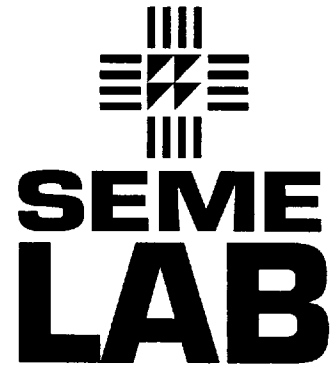
**SEMELAB**

SEMELAB LTD T. 27.01

**BI-POLAR TRANSISTORS (CECC AND HIGH REL) & HIGH ENERGY**

Type Number	Rel Code	Pol	Package	V <sub>ceo</sub>	I <sub>c</sub> (cont)	H <sub>fe</sub>	@ V <sub>ce</sub> /I <sub>c</sub>	f <sub>T</sub>	P <sub>d</sub>
2N3501	HR	NPN	T039	150	0.3	100-300	10/0.15	150M	5
2N3506	HR	NPN	T039	60	3	40-200	2/1.5	60M	1
2N3507	HR	NPN	T039	80	3	30-150	2/1.5	60M	1
2N3508	HR	NPN	T046	20	0.5	40-160	1/10m	500M	0.4
2N3509	HR	NPN	T046	20	0.5	100-200	1/10m	500M	0.4
2N3511	HR	NPN	T052	40	0.5	15min	1/1m		0.36
2N3571	REQ	NPN	T072	15	50m	20min	6/5m	1.2G	0.2
2N3583	CECC	NPN	T066	175	1	40-200	10/0.75	10M	35
2N3584	CECC	NPN	T066	250	2	25-100	10/1	10M	35
2N3585	CECC	NPN	T066	300	2	25-100	10/1	10M	35
2N3634	HR	PNP	T039	140	1	50-150	10/50m	150M	1
2N3635	HR	PNP	T039	140	1	100-300	10/50m	200M	1
2N3636	HR	PNP	T039	175	1	50-150	10/50m	150M	1
2N3637	HR	PNP	T039	175	1	100-300	10/50m	200M	1
2N3665	HR	NPN	T039	80	1	40-120	10/0.15	60M	5
2N3676	HR	NPN	T039	80	1	100-300	10/0.15	60M	5
2N3677	HR	PNP	T046	20	0.1	4min	6/1m		0.4
2N3680	HR	NPN	T077	50	30m	150-600	5/10u	60M	0.6
2N3701	REQ	NPN	T018	80	1	30min	5/1m	80M	0.5
2N3713	CECC	NPN	T03	60	10	25-90	2/1	4M	150
2N3714	CECC	NPN	T03	80	10	25-90	2/1	4M	150
2N3715	CECC	NPN	T03	60	10	50-150	2/1	4M	150
2N3716	CECC	NPN	T03	80	10	50-150	2/1	4M	150
2N3719	CECC	NPN	T039	40	3	25-180	1.5/1	60M	6
2N3720	CECC	NPN	T039	60	3	25-180	1.5/1	60M	6
2N3724	HR	NPN	T039	30	0.5	60-150	1/0.1	300M	0.8
2N3724A	HR	NPN	T039	30	1.2	60-150	1/0.1	300M	0.8
2N3725	HR	NPN	T039	50	0.5	60-150	1/0.1	300M	0.8
2N3725A	HR	NPN	T039	50	1.2	60-150	1/0.1	300M	1
2N3734	HR	NPN	T039	30	1.5	30-120	1.5/1	300M	1
2N3735	HR	NPN	T039	50	1.5	20-80	1.5/1	250M	1
2N3738	HR	NPN	T066	225		40-200	10/0.1	10M	20
2N3739	HR	NPN	T066	300		40-200	10/0.1	10M	20
2N3740	HR	PNP	T066	60	4	30-100	1/0.25	4M	25
2N3740A	HR	PNP	T066	60	4	30-100	1/0.25	4M	25
2N3741	HR	PNP	T066	80	4	30-100	1/0.25	4M	25
2N3741A	HR	PNP	T066	80	4	30-100	1/0.25	4M	25
2N3762	HR	PNP	T039	40	1.5	30-120	1.5/1	180M	1
2N3763	HR	PNP	T039	60	1.5	20-80	1.5/1	150M	1
2N3764	HR	PNP	T046	40	1.5	30-120	1.5/1	180M	0.5
2N3765	HR	PNP	T046	60	1.5	20-80	1.5/1	150M	0.5
2N3766	HR	NPN	T066	60	4	40-160	5/0.5	10M	20
2N3767	HR	NPN	T066	80	4	40-160	5/0.5	10M	20
2N3789	CECC	PNP	T03	60	10	25-90	2/1	4M	150
2N3790	CECC	PNP	T03	80	10	25-90	2/1	4M	150
2N3791	CECC	PNP	T03	60	10	50-150	2/1	4M	150
2N3792	CECC	PNP	T03	80	10	50-150	2/1	4M	150
2N3806	HR	PNP	T077	60	50m	150min	10/1m	100M	0.5
2N3807	HR	PNP	T077	60	50m	300min	10/1m	100M	0.5
2N3808	HR	PNP	T077	60	50m	150min	10/1m	100M	0.5
2N3809	HR	PNP	T077	60	50m	300min	10/1m	100M	0.5
2N3810	HR	PNP	T077	60	50m	150min	10/1m	100M	0.5
2N3811	HR	PNP	T077	60	50m	300min	10/1m	100M	0.5
2N3811A	HR	PNP	T077	60	50m	300min	10/1m	100M	0.5
2N3829	HR	PNP	T052	35	0.2	30min	40/30m	350M	0.36
2N3830	HR	NPN	T039	50	1.2	30min	1/0.5	200M	1
2N3831	HR	NPN	T039	40	1.2	35min	1/0.5	200M	1

# HERMETIC SURFACE MOUNT DISCRETE SEMICONDUCTORS



## DUEL CERAMIC HERMETICALLY SEALED SURFACE MOUNT DEVICES

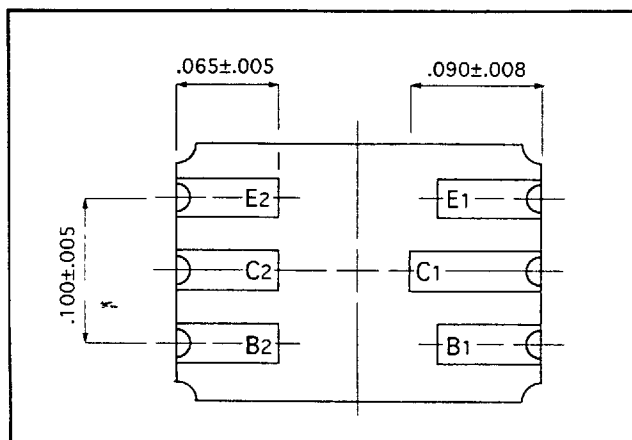
2N2060DCSM	2N3347DCSM
2N2221ADCSM	2N3348DCSM
2N2221DCSM	2N3349DCSM
2N2222ADCSM	2N3350DCSM
2N2222DCSM	2N3351DCSM
2N2369ADCSM	2N3352DCSM
2N2453DCSM	2N3410DCSM
2N2639DCSM	2N3680DCSM
2N2640DCSM	2N3807DCSM
2N2641DCSM	2N3808DCSM
2N2642DCSM	2N3809DCSM
2N2643DCSM	2N3810DCSM
2N2644DCSM	2N3811ADCSM
2N2894DCSM	2N3811DCSM
2N2906ADCSM	2N3904DCSM
2N2907ADCSM	2N4937DCSM
2N2913DCSM	2N4938DCSM
2N2914DCSM	BFX80DCSM
2N2915DCSM	BFX81DCSM
2N2916DCSM	BFY81DCSM
2N2917DCSM	BFY82DCSM
2N2918DCSM	BFY84DCSM
2N2919DCSM	
2N2920DCSM	
2N2979DCSM	
2N3209DCSM	
2N3250DCSM	

In order to provide transistors and diodes with excellent tracking with temperature and excellent matching under all conditions, SEMELAB offers a duel die ceramic range.

Like the smaller single die SOT23 CSM device, this variant is intended for high reliability applications from use in space vehicles through to application in harsh environments where the plastic version is regarded as inadequate.

Devices are available to customers own specification and with release in accordance with SEMELAB's AQAP1 approval. CECC approved devices will be available in 1993.

Information on this line and other High Reliability products is available from SEMELAB or any any of our Agents.



### SEMELAB plc

Coventry Road, Lutterworth,  
Leicestershire. LE17 4JB  
ENGLAND

Tel: 44 (0) 455 556565  
Fax: 44 (0) 455 552612  
Telex: 341927