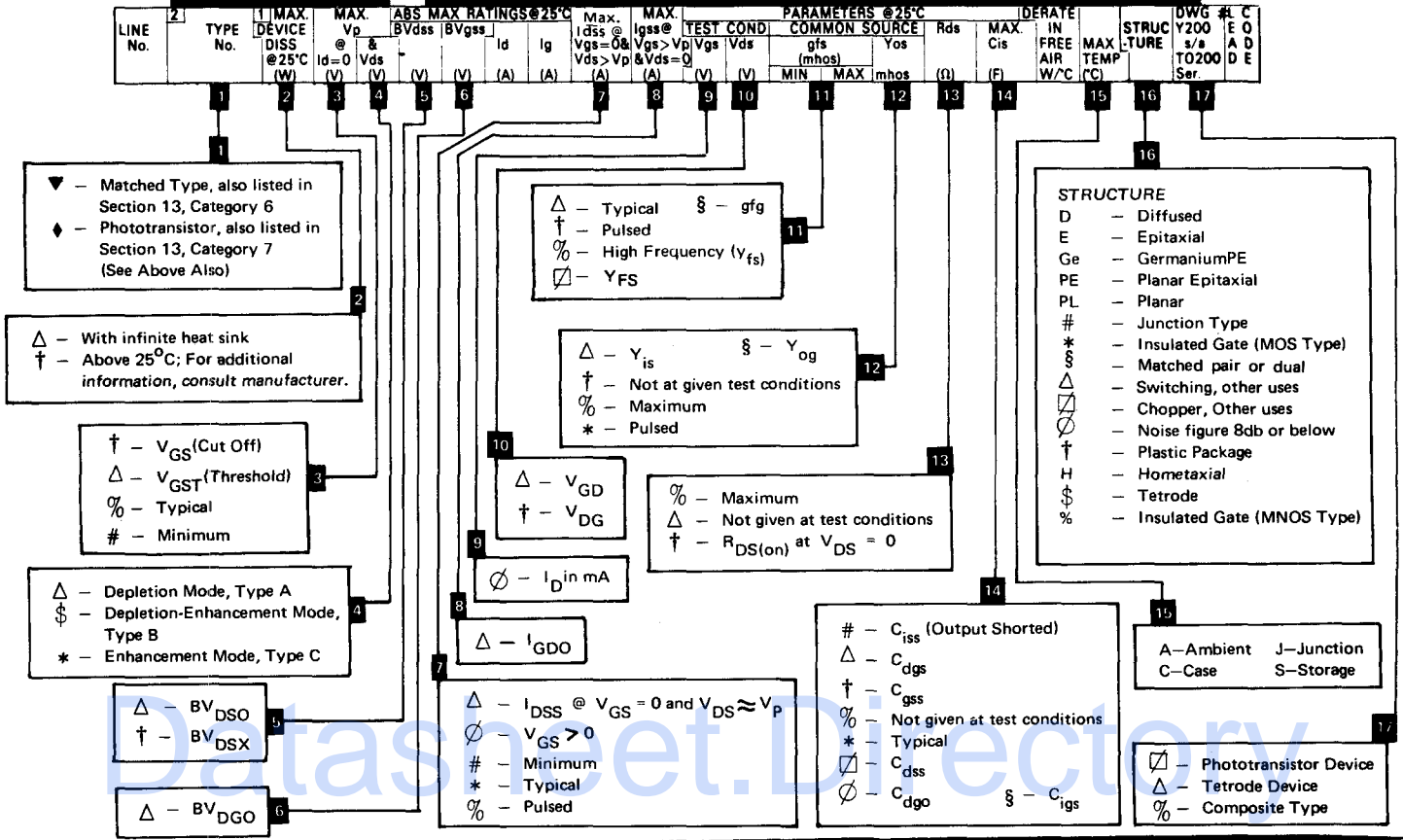
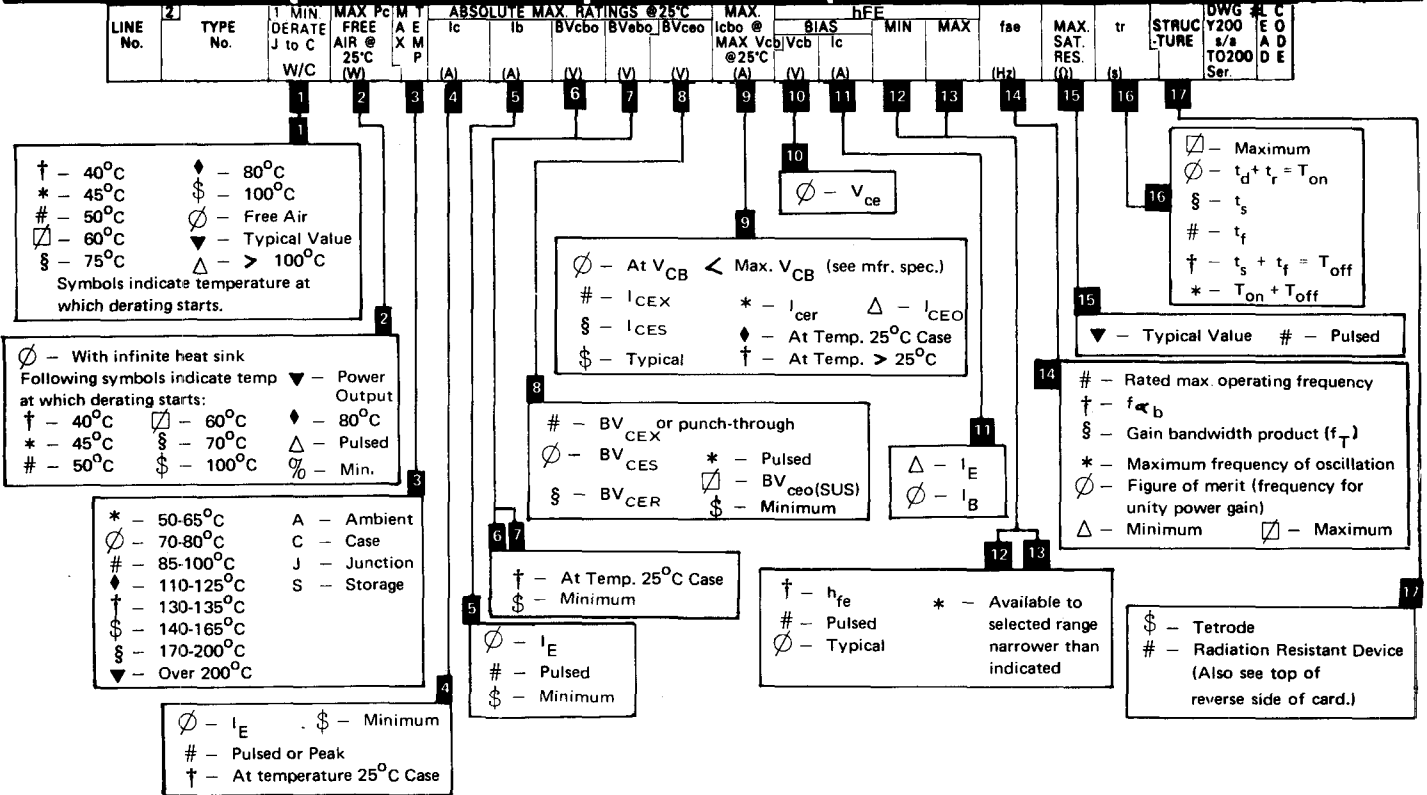


SYMBOLS & CODES EXPLAINED

6. "P" Channel 7. "N" Channel — SILICON FIELD EFFECT TRANSISTORS



8. GERMANIUM PNP 9. GERMANIUM NPN 10. SILICON PNP 11. SILICON NPN — High Power Transistors



11. SILICON NPN - HIGH POWER TRANSISTORS

IN ORDER OF (1) MIN. DERATING FACTOR & (2) TYPE No.

Table with columns: LINE No., TYPE No., MIN. DERATE J to C, FREE AIR @ 25°C, MAX P, M, T, ABSOLUTE MAX. RATINGS @ 25°C (Ic, Ib, BVcbo, BVebo, BVceo), MAX. Icb @ MAX Vcb @ 25°C, hFE (BIAS MIN, MAX, fae), MAX. SAT. RES., tr, STRUC-TURE, DWG #, C, E, O, A, D, E.