



High-Voltage, Adjustable Sequencing/Supervisory Circuits

General Description

The MAX16052/MAX16053 are a family of small, low-power, high-voltage monitoring circuits with sequencing capability. These miniature devices offer very wide flexibility with an adjustable voltage threshold and an external capacitor-adjustable time delay. These devices are ideal for use in power-supply sequencing, reset sequencing, and power switching applications. Multiple devices can be cascaded for complex sequencing applications.

A high-impedance input (IN) with a 0.5V threshold allows an external resistive divider to set the monitored threshold. The output (OUT) asserts high when the input voltage rises above the 0.5V threshold and the enable input (EN) is asserted high. When the voltage at IN falls below 0.495V or when the enable input is deasserted (EN = low), the output deasserts (OUT = low). The MAX16052/MAX16053 provide a capacitor-programmable delay time from when the voltage at IN rises above 0.5V to when the output is asserted.

The MAX16052 offers an active-high open-drain output while the MAX16053 offers an active-high push-pull output. Both devices operate from a 2.25V to 28V supply voltage and feature an active-high enable input. The MAX16052/MAX16053 are available in a tiny 6-pin SOT23 package and are fully specified over the automotive temperature range (-40°C to +125°C).

Applications

Automotive	Computers/Servers
Medical Equipment	Critical μ P Monitoring
Intelligent Instruments	Set-Top Boxes
Portable Equipment	Telecom

Features

- ◆ 1.8% Accurate Adjustable Threshold Over Temperature
- ◆ Open-Drain (28V Tolerant) Output Allows Interfacing to 12V Intermediate Bus Voltage
- ◆ Operates from VCC of 2.25V to 28V
- ◆ Low Supply Current (18 μ A typ)
- ◆ Capacitor-Adjustable Delay
- ◆ Active-High Logic-Enable Input
- ◆ Fully Specified from -40°C to +125°C
- ◆ Small 6-Pin SOT23 Package

Ordering Information

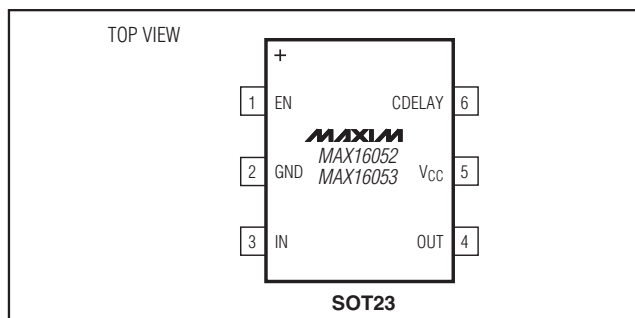
PART	OUTPUT	PIN-PACKAGE	TOP MARK
MAX16052AUT+T	Open-Drain	6 SOT23	+ACLW
MAX16053AUT+T	Push-Pull	6 SOT23	+ACLX

Note: All devices operate over the -40°C to +125°C operating automotive temperature range.

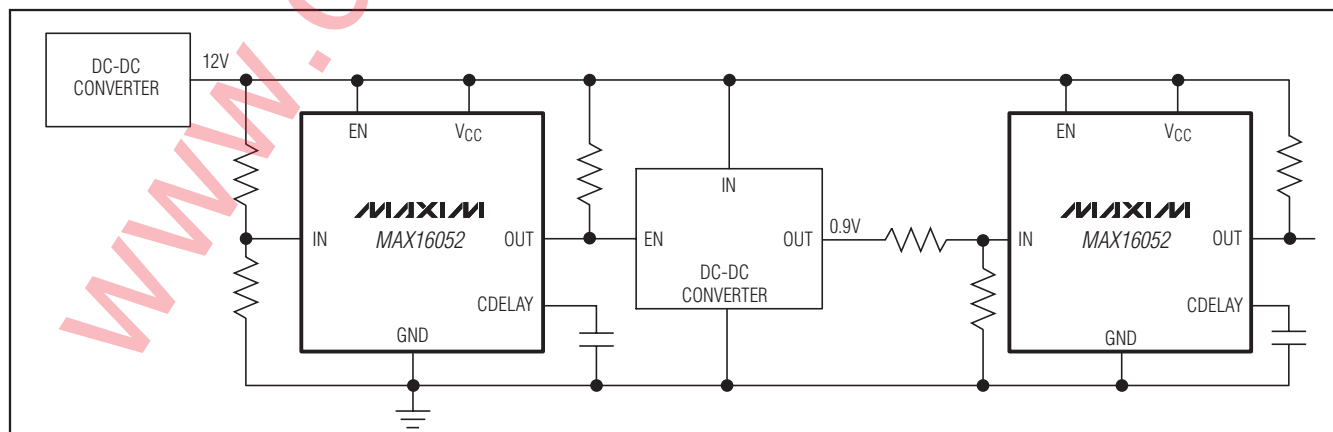
+Denotes a lead(Pb)-free/RoHS-compliant package.

T = Tape and reel, offered in 2.5k increments.

Pin Configuration



Typical Operating Circuit



High-Voltage, Adjustable Sequencing/Supervisory Circuits

ABSOLUTE MAXIMUM RATINGS

(All voltages referenced to GND.)

V _{CC}	-0.3V to +30V
OUT (push-pull, MAX16053).....	-0.3V to (V _{CC} + 0.3V)
OUT (open-drain, MAX16052).....	-0.3V to +30V
EN, IN.....	-0.3V to (V _{CC} + 0.3V)
CDELAY.....	-0.3V to +6V
Input/Output Current (all pins).....	±20mA

Continuous Power Dissipation (T_A = +70°C)

6-Pin SOT23 (derate 8.7mW/°C above +70°C).....	695.7mW
Operating Temperature Range.....	-40°C to +125°C
Junction Temperature.....	+150°C
Storage Temperature Range.....	-65°C to +150°C
Lead Temperature (soldering, 10s).....	+300°C
Soldering Temperature (reflow).....	+260°C

Stresses beyond those listed under "Absolute Maximum Ratings" may cause permanent damage to the device. These are stress ratings only, and functional operation of the device at these or any other conditions beyond those indicated in the operational sections of the specifications is not implied. Exposure to absolute maximum rating conditions for extended periods may affect device reliability.

ELECTRICAL CHARACTERISTICS

(V_{CC} = 2.25V to 28V, V_{EN} = V_{CC}, T_A = T_J = -40°C to +125°C, unless otherwise specified. Typical values are at V_{CC} = 3.3V and T_A = +25°C.) (Note 1)

PARAMETER	SYMBOL	CONDITIONS	MIN	TYP	MAX	UNITS
SUPPLY						
Operating Voltage Range	V _{CC}		2.25		28	V
Undervoltage Lockout	UVLO	V _{CC} falling (Note 2)	1.8		2	V
V _{CC} Supply Current	I _{CC}	MAX16052, no load	V _{CC} = 3.3V	18	37	μA
			V _{CC} = 12V	23	45	
			V _{CC} = 28V	38	61	
		MAX16053, no load	V _{CC} = 3.3V	22	47	
			V _{CC} = 12V	29	57	
			V _{CC} = 28V	44	71	
IN						
Threshold Voltage	V _{TH}	V _{IN} rising, 2.25V ≤ V _{CC} ≤ 28V	0.491	0.500	0.509	V
Hysteresis	V _{HYST}	V _{IN} falling		5		mV
Input Current	I _{IN}	V _{IN} = 0 or 28V	-110	+25	+110	nA
CDELAY						
CDELAY Charge Current	I _{CD}	V _{CDELAY} = 0V	200	250	300	nA
CDELAY Threshold	V _{TCD}	V _{CDELAY} rising	0.95	1.00	1.05	V
CDELAY Pulldown Resistance	R _{CDELAY}	V _{CC} ≥ 2.25V, I _{SINK} = 200μA		15	60	Ω
		V _{CC} ≥ 3.3V, I _{SINK} = 1mA		15	60	
EN						
EN Low Voltage	V _{IL}				0.5	V
EN High Voltage	V _{IH}		1.4			V
EN Leakage Current	I _{LEAK}	V _{EN} = 0 or 28V	-110	+20	+110	nA
OUT						
OUT Low Voltage (Open-Drain or Push-Pull)	V _{OL}	V _{CC} ≥ 1.2V, I _{SINK} = 90μA			0.2	V
		V _{CC} ≥ 2.25V, I _{SINK} = 0.5mA			0.3	
		V _{CC} > 4.5V, I _{SINK} = 1mA			0.4	
OUT High Voltage (Push-Pull, MAX16053)	V _{OH}	V _{CC} ≥ 2.25V, I _{SOURCE} = 500μA	0.8 × V _{CC}			V
		V _{CC} ≥ 4.5V, I _{SOURCE} = 800μA	0.9 × V _{CC}			
OUT Leakage Current (Open-Drain, MAX16052)	I _{LKG}	Output not asserted low, V _{OUT} = 28V			150	nA

High-Voltage, Adjustable Sequencing/Supervisory Circuits

MAX16052/MAX16053

ELECTRICAL CHARACTERISTICS (continued)

($V_{CC} = 2.25V$ to $28V$, $V_{EN} = V_{CC}$, $T_A = T_J = -40^{\circ}C$ to $+125^{\circ}C$, unless otherwise specified. Typical values are at $V_{CC} = 3.3V$ and $T_A = +25^{\circ}C$.) (Note 1)

PARAMETER	SYMBOL	CONDITIONS		MIN	TYP	MAX	UNITS
TIMING							
IN to OUT Propagation Delay	t_{DELAY}	$V_{CC} = 3.3V$, V_{IN} rising, $V_{IN} = V_{TH} + 25mV$	MAX16052, 100k Ω pullup resistor, $C_{CDELAY} = 0$		30		μs
			MAX16053, $C_{CDELAY} = 0$		30		
			MAX16052, 100k Ω pullup resistor, $C_{CDELAY} = 0.047\mu F$		190		ms
			MAX16053, $C_{CDELAY} = 0.047\mu F$		190		
	t_{DL}	$V_{CC} = 12V$, V_{IN} rising, $V_{IN} = V_{TH} + 25mV$	MAX16052, 100k Ω pullup resistor, $C_{CDELAY} = 0$		30		μs
			MAX16053, $C_{CDELAY} = 0$		30		
	Startup Delay (Note 3)		$V_{CC} = 2.25V$, $V_{IN} = 0.525V$, $C_{CDELAY} = 0$		0.5		ms
			$V_{CC} = 12V$, $V_{IN} = 12V$, $C_{CDELAY} = 0$		0.5		
EN Minimum Input Pulse Width	t_{MPW}			1		μs	
EN Glitch Rejection					100	ns	
EN to OUT Delay	t_{OFF}	From device enabled to device disabled	MAX16052, 100k Ω pullup resistor	$V_{CC} = 3.3V$	250		ns
				$V_{CC} = 12V$	300		
			MAX16053	$V_{CC} = 3.3V$	350		
				$V_{CC} = 12V$	400		
EN to OUT Delay	t_{PROP}	From device disabled to device enabled	MAX16052, 100k Ω pullup resistor, $C_{CDELAY} = 0$	$V_{CC} = 3.3V$	14		μs
				$V_{CC} = 12V$	14		
			MAX16053, $C_{CDELAY} = 0$	$V_{CC} = 3.3V$	14		
				$V_{CC} = 12V$	14		
			MAX16052, 100k Ω pullup resistor, $C_{CDELAY} = 0.047\mu F$		190		ms
				MAX16053, $C_{CDELAY} = 0.047\mu F$		190	

Note 1: All devices are production tested at $T_A = +25^{\circ}C$. Limits over temperature are guaranteed by design.

Note 2: When V_{CC} falls below the UVLO threshold, the outputs deassert (OUT goes low). When V_{CC} falls below 1.2V, the output state cannot be determined.

Note 3: During the initial power-up, V_{CC} must exceed 2.25V for at least 0.5ms before OUT can go high.

High-Voltage, Adjustable Sequencing/Supervisory Circuits

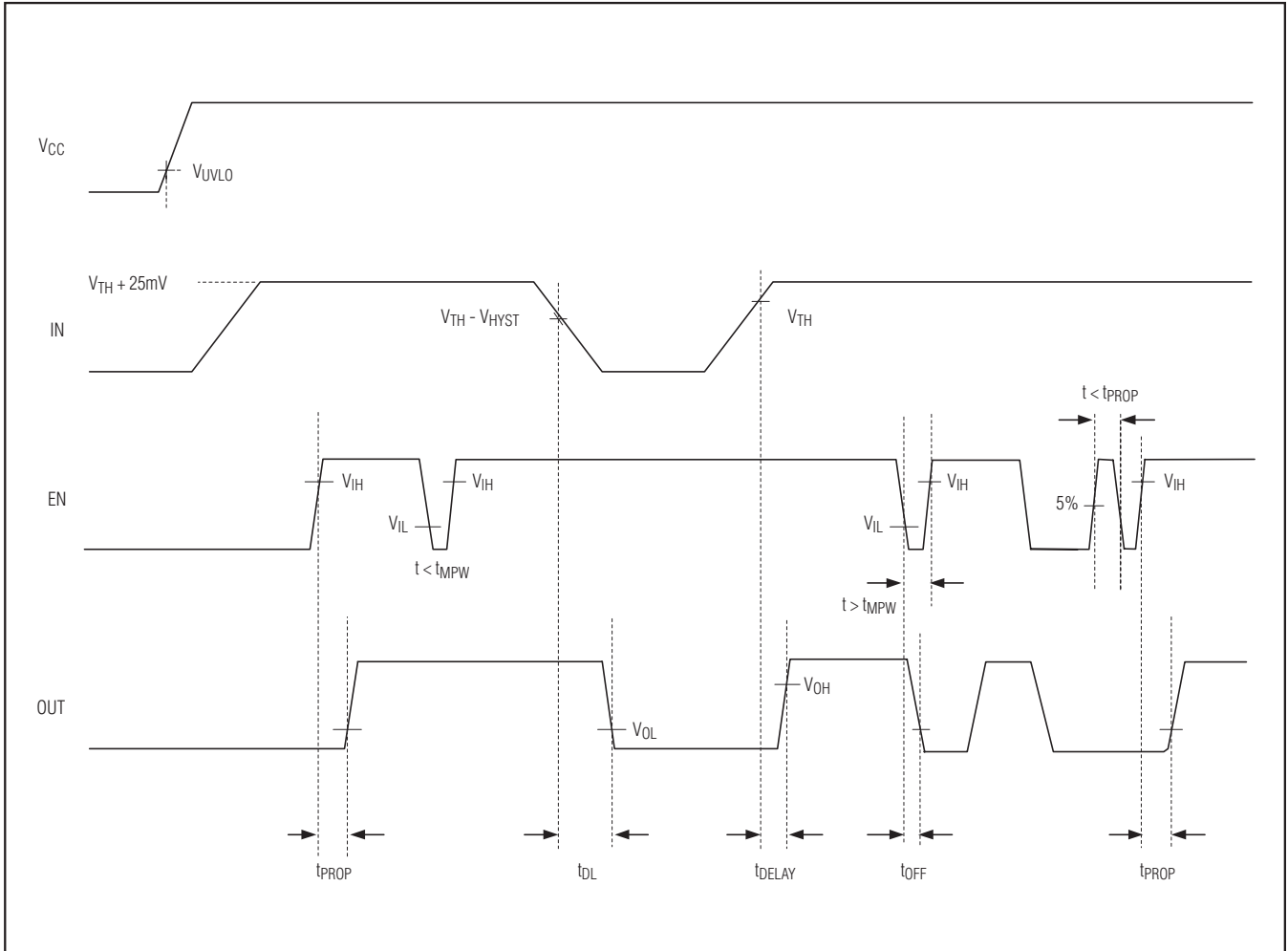


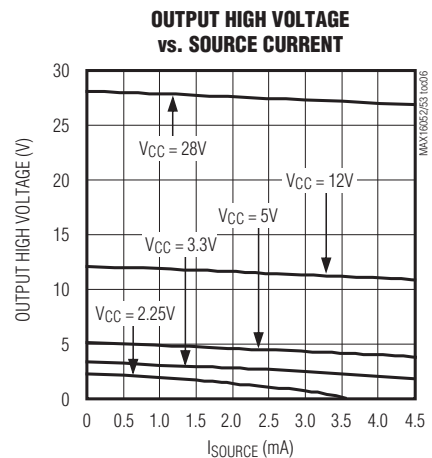
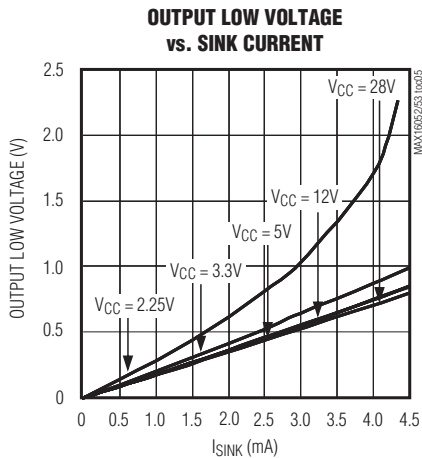
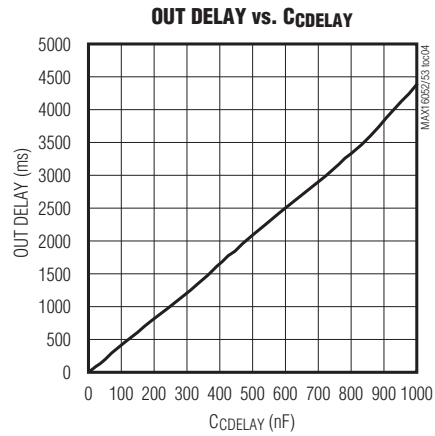
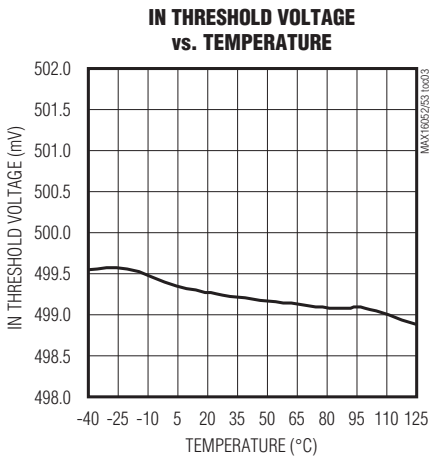
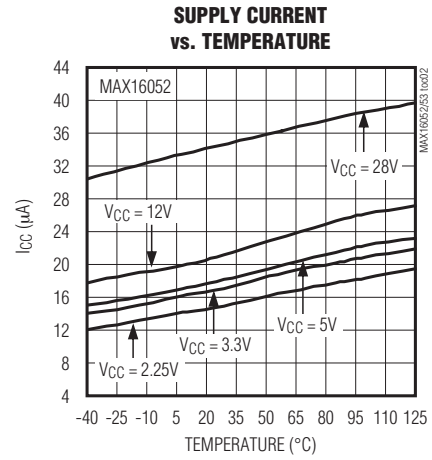
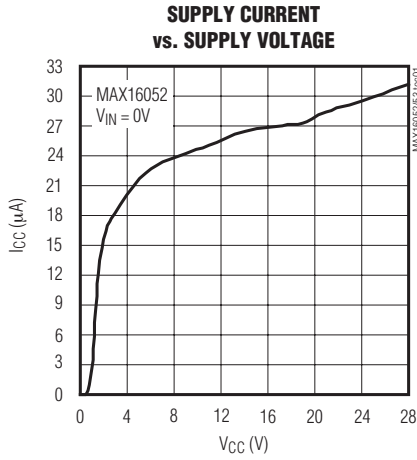
Figure 1. MAX16052/MAX16053 Timing Diagram (C_{DELAY} = 0)

High-Voltage, Adjustable Sequencing/Supervisory Circuits

Typical Operating Characteristics

($V_{CC} = 3.3V$ and $T_A = +25^\circ C$, unless otherwise noted.)

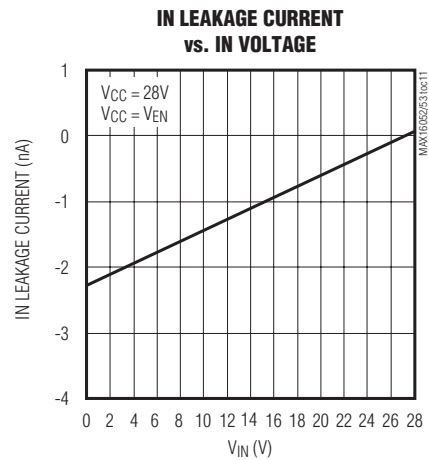
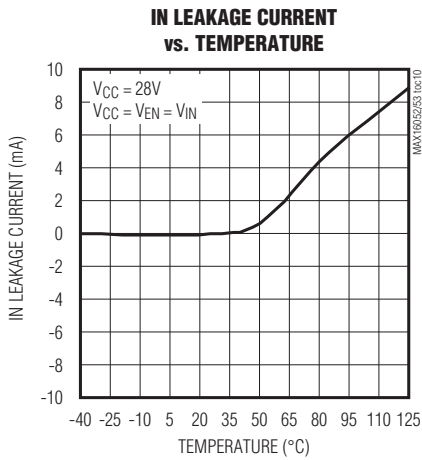
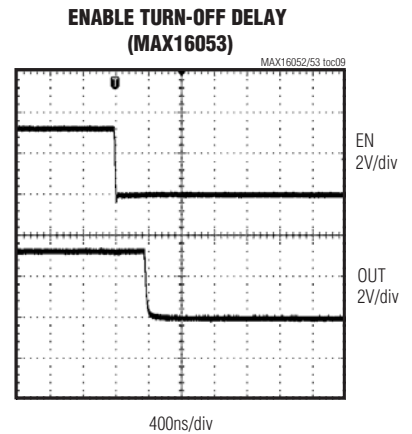
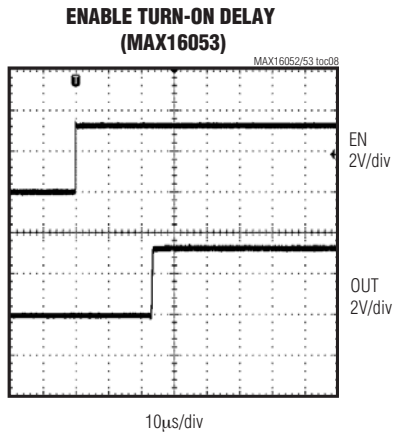
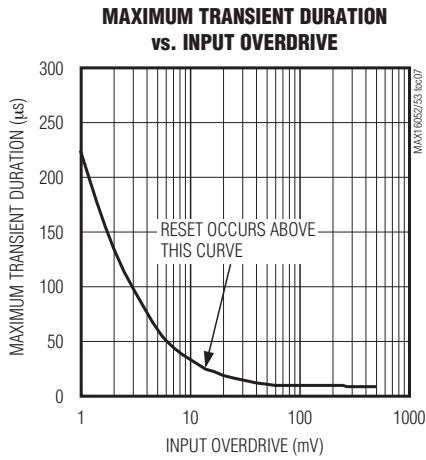
MAX16052/MAX16053



High-Voltage, Adjustable Sequencing/Supervisory Circuits

Typical Operating Characteristics

($T_A = +25^\circ\text{C}$, unless otherwise noted.)

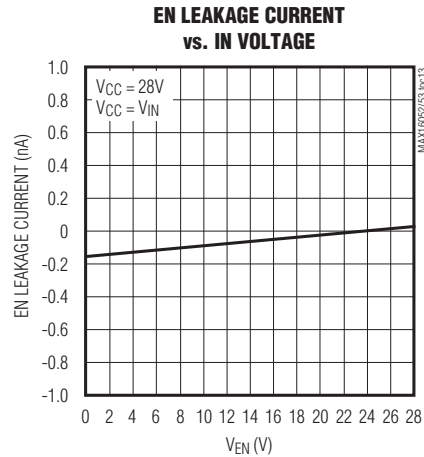
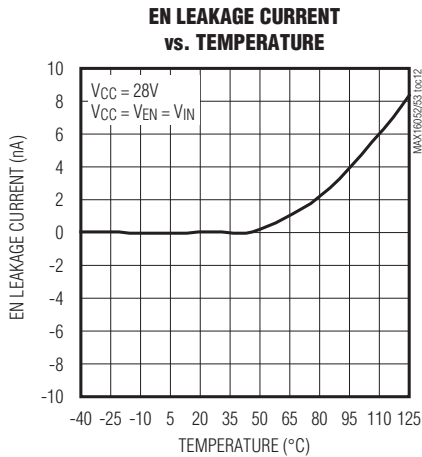


High-Voltage, Adjustable Sequencing/Supervisory Circuits

MAX16052/MAX16053

Typical Operating Characteristics (continued)

($V_{CC} = 3.3V$ and $T_A = +25^\circ C$, unless otherwise noted.)



Pin Description

PIN	NAME	FUNCTION
1	EN	Active-High Logic-Enable Input. Drive EN low to immediately deassert the output to its false state (OUT = low) independent of V_{IN} . With V_{IN} above V_{TH} , drive EN high to assert the output to its true state (OUT = high) after the adjustable delay period. Connect EN to V_{CC} , if not used.
2	GND	Ground
3	IN	High-Impedance Monitor Input. Connect IN to an external resistive divider to set the desired monitor threshold. The output changes state when V_{IN} rises above 0.5V and when V_{IN} falls below 0.495V.
4	OUT	Active-High Sequencer/Monitor Output. Open-drain (MAX16052) or push-pull (MAX16053). OUT is asserted to its true state (OUT = high) when V_{IN} is above V_{TH} and the enable input is in its true state (EN = high) after the capacitor-adjusted delay period. OUT is deasserted to its false state (OUT = low) immediately after V_{IN} drops below 0.495V or the enable input is in its false state (EN = low). The MAX16052 open-drain output requires an external pullup resistor.
5	V_{CC}	Supply Voltage Input. Connect a 2.25V to 28V supply to V_{CC} to power the device. For noisy systems, bypass with a 0.1 μ F ceramic capacitor to GND.
6	CDELAY	Capacitor-Adjustable Delay Input. Connect an external capacitor (C_{CDELAY}) from CDELAY to GND to set the IN-to-OUT and EN-to-OUT delay period. For V_{IN} rising, $t_{DELAY} = (C_{CDELAY} \times 4.0 \times 10^6) + 30\mu s$. For EN rising, $t_{PROP} = (C_{CDELAY} \times 4.0 \times 10^6) + 14\mu s$.

High-Voltage, Adjustable Sequencing/Supervisory Circuits

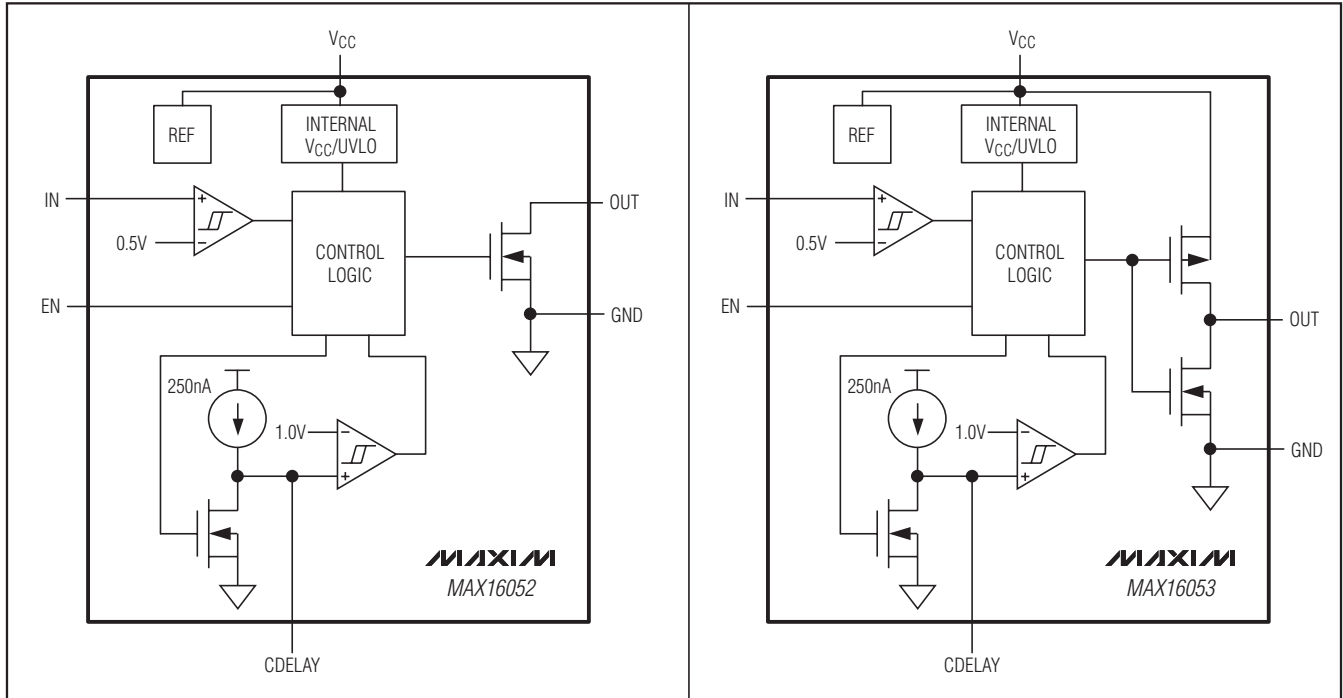


Figure 2. Simplified Functional Diagram

Detailed Description

The MAX16052/MAX16053 family of high-voltage, sequencing/supervisory circuits provide adjustable voltage monitoring for inputs down to 0.5V. These devices are ideal for use in power-supply sequencing, reset sequencing, and power-switching applications. Multiple devices can be cascaded for complex sequencing applications.

The MAX16052/MAX16053 perform voltage monitoring using a high-impedance input (IN) with an internally fixed 0.5V threshold. When the voltage at IN falls below 0.5V or when the enable input is deasserted (EN = low) OUT goes low. When V_{IN} rises above 0.5V and the enable input is asserted (EN = high), OUT goes high after a capacitor-adjustable time delay.

With V_{IN} above 0.5V, the enable input can be used to turn on or off the output. Table 1 details the output state depending on the various input and enable conditions.

Table 1. MAX16052/MAX16053

IN	EN	OUT
$V_{IN} < V_{TH}$	Low	Low
$V_{IN} < V_{TH}$	High	Low
$V_{IN} > V_{TH}$	Low	Low
$V_{IN} > V_{TH}$	High	OUT = High Impedance (MAX16052)
		OUT = V_{CC} (MAX16053)

Supply Input (V_{CC})

The device operates with a V_{CC} supply voltage from 2.25V to 28V. In order to maintain a 1.8% accurate threshold at IN, V_{CC} must be above 2.25V. When V_{CC} falls below the UVLO threshold, the output deasserts low. When V_{CC} falls below 1.2V, the output state is not guaranteed. For noisy systems, connect a 0.1 μ F ceramic capacitor from V_{CC} to GND as close to the device as possible.

High-Voltage, Adjustable Sequencing/Supervisory Circuits

Monitor Input (IN)

Connect the center point of a resistive divider to IN to monitor external voltages (see R1 and R2 of Figure 4). IN has a rising threshold of $V_{TH} = 0.5V$ and a falling threshold of $0.495V$ (5mV hysteresis). When V_{IN} rises above V_{TH} and EN is high, OUT goes high after the adjustable t_{DELAY} period. When V_{IN} falls below $0.495V$, OUT goes low after a $18\mu s$ delay. IN has a maximum input current of $60nA$, so large value resistors are permitted without adding significant error to the resistive divider.

Adjustable Delay (CDELAY)

When V_{IN} rises above V_{TH} with EN high, the internal $250nA$ current source begins charging an external capacitor connected from CDELAY to GND. When the voltage at CDELAY reaches $1V$, the output asserts (OUT goes high). When the output asserts, CDELAY is immediately discharged. Adjust the delay (t_{DELAY}) from when V_{IN} rises above V_{TH} (with EN high) to OUT going high according to the equation:

$$t_{DELAY} = C_{CDELAY} \times (4 \times 10^6 \Omega) + (30\mu s)$$

where t_{DELAY} is in seconds and C_{CDELAY} is in Farads.

Enable Input (EN)

The MAX16052/MAX16053 offer an active-high enable input (EN). With V_{IN} above V_{TH} , drive EN high to force OUT high after the capacitor-adjustable delay time. The EN-to-OUT delay time (t_{PROP}) can be calculated from when EN goes above the EN threshold using the equation:

$$t_{PROP} = C_{CDELAY} \times (4 \times 10^6 \Omega) + (14\mu s)$$

where t_{PROP} is in seconds and C_{CDELAY} is in Farads. Drive EN low to force OUT low within $300ns$ for the MAX16052 and within $400ns$ for the MAX16053.

Output (OUT)

The MAX16052 offers an active-high, open-drain output while the MAX16053 offers an active-high push-pull output. The push-pull output is referenced to V_{CC} . The open-drain output requires a pullup resistor and can be pulled up to $28V$.

Applications Information

Input Threshold

The MAX16052/MAX16053 monitor the voltage on IN with an external resistive divider (Figure 4). R1 and R2 can have very high values to minimize current consumption due to low IN leakage currents ($60nA$ max). Set R2 to some conveniently high value ($200k\Omega$ for $\pm 1\%$

additional variation in threshold, for example) and calculate R1 based on the desired monitored voltage using the following formula:

$$R1 = R2 \times \left[\frac{V_{MONITOR}}{V_{TH}} - 1 \right]$$

where $V_{MONITOR}$ is the desired monitored voltage and V_{TH} is the reset input threshold ($0.5V$).

Pullup Resistor Values (MAX16052 Only)

The exact value of the pullup resistor for the open-drain output is not critical, but some consideration should be made to ensure the proper logic levels when the device is sinking current. For example, if $V_{CC} = 2.25V$ and the pullup voltage is $28V$, keep the sink current less than $0.5mA$ as shown in the *Electrical Characteristics* table. As a result, the pullup resistor should be greater than $56k\Omega$. For a $12V$ pullup, the resistor should be larger than $24k\Omega$. Note that the ability to sink current is dependent on the V_{CC} supply voltage.

Ensuring a Valid OUT Down to $V_{CC} = 0V$ (Push-Pull OUT)

In applications in which OUT must be valid down to $V_{CC} = 0V$, add a pulldown resistor between OUT and GND for the push-pull output (MAX16053). The resistor sinks any stray leakage currents, holding OUT low (Figure 3). The value of the pulldown resistor is not critical; $100k\Omega$ is large enough not to load OUT and small enough to pull OUT to ground. The external pulldown cannot be used with the open-drain OUT output.

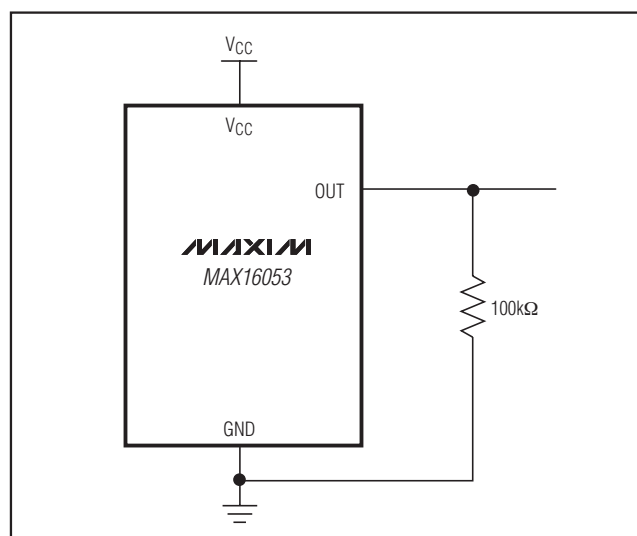


Figure 3. Ensuring OUT Valid to $V_{CC} = 0V$

High-Voltage, Adjustable Sequencing/Supervisory Circuits

Typical Application Circuits

Figures 4–6 show typical applications for the MAX16052/MAX16053. Figure 4 shows the MAX16052 used with a p-channel MOSFET in an overvoltage protection circuit. Figure 5 shows the MAX16053 in a low-voltage sequencing application using an n-channel MOSFET. Figure 6 shows the MAX16053 used in a multiple output sequencing application.

Using an n-Channel Device for Sequencing

In higher power applications, using an n-channel device reduces the loss across the MOSFET as it offers

a lower drain-to-source on-resistance. However, an n-channel MOSFET requires a sufficient V_{GS} voltage to fully enhance it for a low R_{DS_ON} . The application shown in Figure 5 shows the MAX16053 in a switch sequencing application using an n-channel MOSFET.

Similarly, if a higher voltage is present in the system, the open-drain version can be used in the same manner.

Power-Supply Bypassing

In noisy applications, bypass V_{CC} to ground with a $0.1\mu\text{F}$ capacitor as close to the device as possible. The additional capacitor improves transient immunity. For fast-rising V_{CC} transients, additional capacitors may be required.

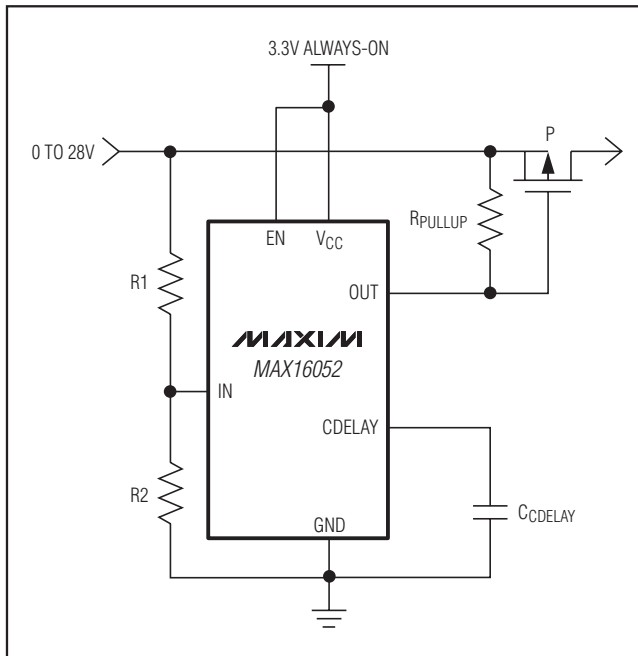


Figure 4. Overvoltage Protection

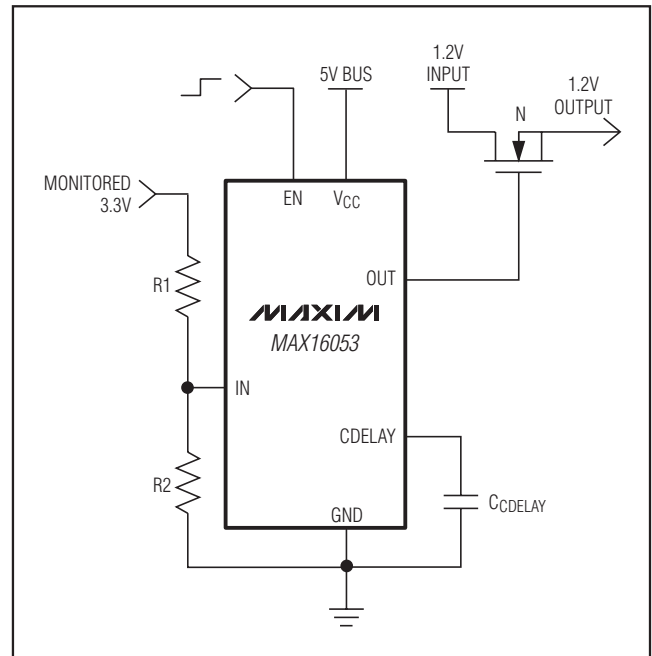


Figure 5. Low-Voltage Sequencing Using an n-Channel MOSFET

High-Voltage, Adjustable Sequencing/Supervisory Circuits

MAX16052/MAX16053

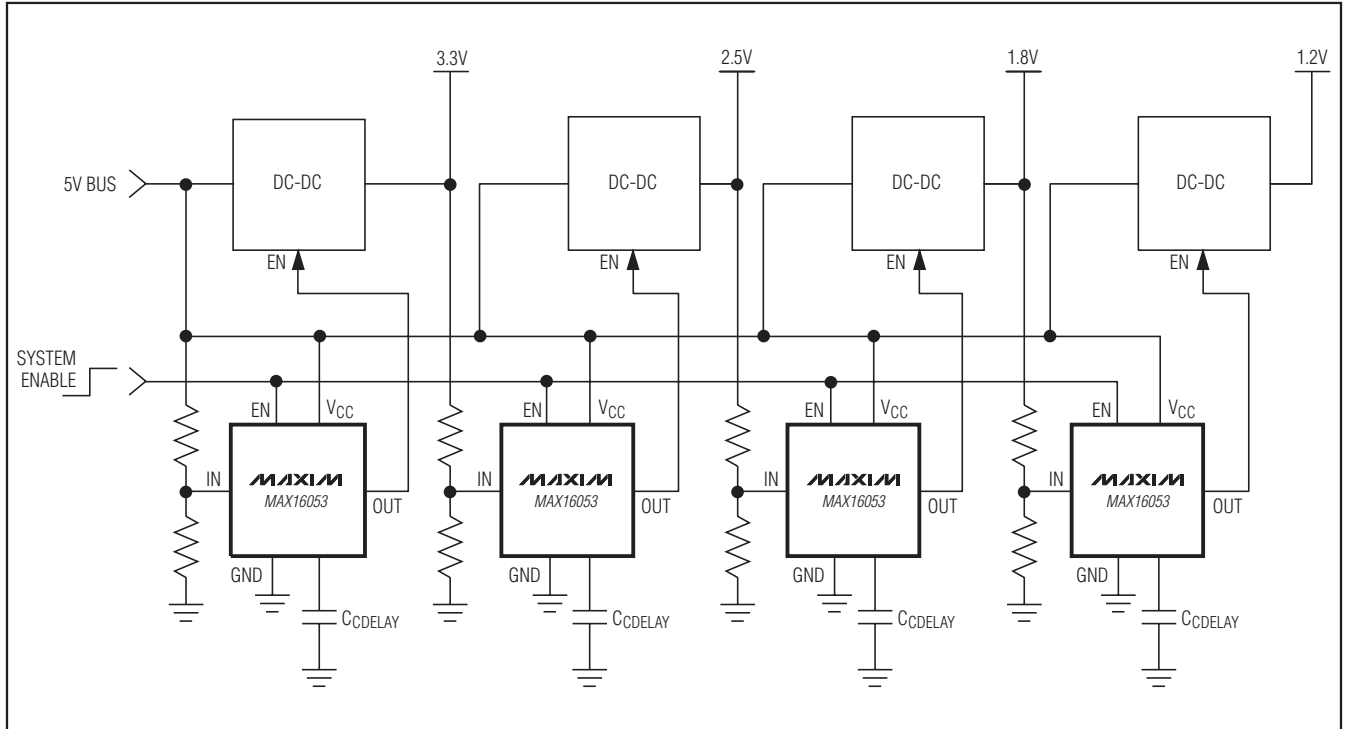


Figure 6. Multiple Output Sequencing

Chip Information

PROCESS: BiCMOS

Package Information

For the latest package outline information and land patterns, go to www.maxim-ic.com/packages. Note that a "+", "#", or "-" in the package code indicates RoHS status only. Package drawings may show a different suffix character, but the drawing pertains to the package regardless of RoHS status.

PACKAGE TYPE	PACKAGE CODE	DOCUMENT NO.
6 SOT23	U6+1	21-0058

High-Voltage, Adjustable Sequencing/Supervisory Circuits

Revision History

REVISION NUMBER	REVISION DATE	DESCRIPTION	PAGES CHANGED
0	5/08	Initial release	—
1	10/08	Update <i>Adjustable Delay (CDELAY)</i> and <i>Power-Supply Bypassing</i> sections.	9, 10
2	1/10	Revised the <i>Features</i> , <i>General Description</i> , <i>Absolute Maximum Ratings</i> , <i>Electrical Characteristics</i> , <i>Typical Operating Characteristics</i> , and the <i>Supply Input (VCC)</i> sections.	1, 2, 5–8

Maxim cannot assume responsibility for use of any circuitry other than circuitry entirely embodied in a Maxim product. No circuit patent licenses are implied. Maxim reserves the right to change the circuitry and specifications without notice at any time.

12 _____ **Maxim Integrated Products, 120 San Gabriel Drive, Sunnyvale, CA 94086 408-737-7600**



Maxim > Products > Amplifiers and Comparators > MAX9015, MAX9015A, MAX9016, ...

MAX9015, MAX9015A, MAX9016, MAX9016A, MAX9017, MAX9017A, MAX9017B, MAX9018, MAX9018A, MAX9018B, MAX9019, MAX9020

SOT23, Dual, Precision, 1.8V, Nanopower Comparators With/Without Reference

Dual, Precision, 1.8V, Nanopower Comparators With/Without Reference in SOT23

[Overview](#) [Technical Documents](#) [Ordering Info](#) [Related Products](#) [User Comments \(0\)](#) [All](#)

Status

Active: In Production.

Data Sheet

FULL DATA SHEET

[Download](#) Rev 2 (PDF, 432kB)

[E-Mail](#)

Ordering Information

Notes:

- Other options and links for purchasing parts are listed at: <http://www.maxim-ic.com/sales>.
- Didn't Find What You Need?** Ask our applications engineers. Expert assistance in finding parts, usually within one business day.
- Part number suffixes: T or T&R = tape and reel; + = RoHS/lead-free; # = RoHS/lead-exempt; -D = drypack; -U/+U on DS parts = cut tape. More: See [Full Data Sheet](#) or [Maxim Product Naming Conventions](#).
- * Some packages have variations, listed on the drawing. "PkgCode/Variation" tells which variation the product uses. Note that "+", "#", "-" in the part number suffix describes RoHS status. Package drawings may show a different suffix character.

Filters

Part Number: Package: Any Temperature: Any Tape and Reel

MAX9015A	Free Sample	Buy	Status	Package: TYPE PINS FOOTPRINT DRAWING CODE/VAR *	Temp	RoHS/Lead-Free? Materials Analysis
MAX9015AEKA		<input type="button" value="Buy"/>	Active	SOT;8 pin;9 mm ² Outline Drawing:21-0078 (PDF) Land Pattern: 90-0176 (PDF) Use pkgcode/variation: K8-5*	-40°C to +85°C	RoHS/Lead-Free: No Materials Analysis
MAX9015AEKA+	<input type="button" value="Sample"/>	<input type="button" value="Buy"/>	Active	SOT;8 pin;9 mm ² Outline Drawing:21-0078 (PDF) Land Pattern: 90-0176 (PDF) Use pkgcode/variation: K8+5*	-40°C to +85°C	RoHS/Lead-Free: Lead Free Materials Analysis
MAX9015AEKA-T		<input type="button" value="Buy"/>	Active	SOT;8 pin;9 mm ² Outline Drawing:21-0078 (PDF) Land Pattern: 90-0176 (PDF) Use pkgcode/variation: K8-5*	-40°C to +85°C	RoHS/Lead-Free: No Materials Analysis
MAX9015AEKA+T		<input type="button" value="Buy"/>	Active	SOT;8 pin;9 mm ² Outline Drawing:21-0078 (PDF) Land Pattern: 90-0176 (PDF) Use pkgcode/variation: K8+5*	-40°C to +85°C	RoHS/Lead-Free: Lead Free Materials Analysis
MAX9016A	Free Sample	Buy	Status	Package: TYPE PINS FOOTPRINT DRAWING CODE/VAR *	Temp	RoHS/Lead-Free? Materials Analysis
MAX9016AEKA+	<input type="button" value="Sample"/>	<input type="button" value="Buy"/>	Active	SOT;8 pin;9 mm ² Outline Drawing:21-0078 (PDF) Land Pattern: 90-0176 (PDF) Use pkgcode/variation: K8+5*	-40°C to +85°C	RoHS/Lead-Free: Lead Free Materials Analysis
MAX9016AEKA-T		<input type="button" value="Buy"/>	Active	SOT;8 pin;9 mm ² Outline Drawing:21-0078 (PDF) Land Pattern: 90-0176 (PDF) Use pkgcode/variation: K8-5*	-40°C to +85°C	RoHS/Lead-Free: No Materials Analysis
MAX9016AEKA+T		<input type="button" value="Buy"/>	Active	SOT;8 pin;9 mm ² Outline Drawing:21-0078 (PDF) Land Pattern: 90-0176 (PDF) Use pkgcode/variation: K8+5*	-40°C to +85°C	RoHS/Lead-Free: Lead Free Materials Analysis
MAX9017A	Free Sample	Buy	Status	Package: TYPE PINS FOOTPRINT DRAWING CODE/VAR *	Temp	RoHS/Lead-Free? Materials Analysis
MAX9017AEKA		<input type="button" value="Buy"/>	Active	SOT;8 pin;9 mm ² Outline Drawing:21-0078 (PDF) Land Pattern: 90-0176 (PDF) Use pkgcode/variation: K8-5*	-40°C to +85°C	RoHS/Lead-Free: No Materials Analysis
MAX9017AEKA/V+T		<input type="button" value="Buy"/>	Active	SOT;	-40°C to +85°C	See data sheet

				Land Pattern: Not Available		
MAX9017AEKA+	<input type="button" value="Sample"/>	<input type="button" value="Buy"/>	Active	SOT;8 pin;9 mm ² Outline Drawing:21-0078 (PDF) Land Pattern: 90-0176 (PDF) Use pkgcode/variation: K8+5*	-40°C to +85°C	RoHS/Lead-Free: Lead Free Materials Analysis
MAX9017AEKA+T		<input type="button" value="Buy"/>	Active	SOT;8 pin;9 mm ² Outline Drawing:21-0078 (PDF) Land Pattern: 90-0176 (PDF) Use pkgcode/variation: K8+5*	-40°C to +85°C	RoHS/Lead-Free: Lead Free Materials Analysis
MAX9017AEKA-T		<input type="button" value="Buy"/>	Active	SOT;8 pin;9 mm ² Outline Drawing:21-0078 (PDF) Land Pattern: 90-0176 (PDF) Use pkgcode/variation: K8-5*	-40°C to +85°C	RoHS/Lead-Free: No Materials Analysis
MAX9017B	Free Sample	Buy	Status ?	Package: TYPE PINS FOOTPRINT DRAWING CODE/VAR *	Temp	RoHS/Lead-Free? Materials Analysis
MAX9017BEKA		<input type="button" value="Buy"/>	Active	SOT;8 pin;9 mm ² Outline Drawing:21-0078 (PDF) Land Pattern: 90-0176 (PDF) Use pkgcode/variation: K8-5*	-40°C to +85°C	RoHS/Lead-Free: No Materials Analysis
MAX9017BEKA+	<input type="button" value="Sample"/>	<input type="button" value="Buy"/>	Active	SOT;8 pin;9 mm ² Outline Drawing:21-0078 (PDF) Land Pattern: 90-0176 (PDF) Use pkgcode/variation: K8+5*	-40°C to +85°C	RoHS/Lead-Free: Lead Free Materials Analysis
MAX9017BEKA+T		<input type="button" value="Buy"/>	Active	SOT;8 pin;9 mm ² Outline Drawing:21-0078 (PDF) Land Pattern: 90-0176 (PDF) Use pkgcode/variation: K8+5*	-40°C to +85°C	RoHS/Lead-Free: Lead Free Materials Analysis
MAX9017BEKA-T		<input type="button" value="Buy"/>	Active	SOT;8 pin;9 mm ² Outline Drawing:21-0078 (PDF) Land Pattern: 90-0176 (PDF) Use pkgcode/variation: K8-5*	-40°C to +85°C	RoHS/Lead-Free: No Materials Analysis
MAX9018A	Free Sample	Buy	Status ?	Package: TYPE PINS FOOTPRINT DRAWING CODE/VAR *	Temp	RoHS/Lead-Free? Materials Analysis
MAX9018AEKA+	<input type="button" value="Sample"/>	<input type="button" value="Buy"/>	Active	SOT;8 pin;9 mm ² Outline Drawing:21-0078 (PDF) Land Pattern: 90-0176 (PDF) Use pkgcode/variation: K8+5*	-40°C to +85°C	RoHS/Lead-Free: Lead Free Materials Analysis
MAX9018AEKA		<input type="button" value="Buy"/>	Active	SOT;8 pin;9 mm ² Outline Drawing:21-0078 (PDF) Land Pattern: 90-0176 (PDF) Use pkgcode/variation: K8-5*	-40°C to +85°C	RoHS/Lead-Free: No Materials Analysis
MAX9018AEKA+T		<input type="button" value="Buy"/>	Active	SOT;8 pin;9 mm ² Outline Drawing:21-0078 (PDF) Land Pattern: 90-0176 (PDF) Use pkgcode/variation: K8+5*	-40°C to +85°C	RoHS/Lead-Free: Lead Free Materials Analysis
MAX9018AEKA-T		<input type="button" value="Buy"/>	Active	SOT;8 pin;9 mm ² Outline Drawing:21-0078 (PDF) Land Pattern: 90-0176 (PDF) Use pkgcode/variation: K8-5*	-40°C to +85°C	RoHS/Lead-Free: No Materials Analysis
MAX9018B	Free Sample	Buy	Status ?	Package: TYPE PINS FOOTPRINT DRAWING CODE/VAR *	Temp	RoHS/Lead-Free? Materials Analysis
MAX9018BEKA+	<input type="button" value="Sample"/>	<input type="button" value="Buy"/>	Active	SOT;8 pin;9 mm ² Outline Drawing:21-0078 (PDF) Land Pattern: 90-0176 (PDF) Use pkgcode/variation: K8+5*	-40°C to +85°C	RoHS/Lead-Free: Lead Free Materials Analysis
MAX9018BEKA-T		<input type="button" value="Buy"/>	Active	SOT;8 pin;9 mm ² Outline Drawing:21-0078 (PDF) Land Pattern: 90-0176 (PDF) Use pkgcode/variation: K8-5*	-40°C to +85°C	RoHS/Lead-Free: No Materials Analysis
MAX9018BEKA+T		<input type="button" value="Buy"/>	Active	SOT;8 pin;9 mm ² Outline Drawing:21-0078 (PDF) Land Pattern: 90-0176 (PDF) Use pkgcode/variation: K8+5*	-40°C to +85°C	RoHS/Lead-Free: Lead Free Materials Analysis
MAX9019	Free Sample	Buy	Status ?	Package: TYPE PINS FOOTPRINT DRAWING CODE/VAR *	Temp	RoHS/Lead-Free? Materials Analysis
MAX9019EKA+	<input type="button" value="Sample"/>	<input type="button" value="Buy"/>	Active	SOT;8 pin;9 mm ² Outline Drawing:21-0078 (PDF) Land Pattern: 90-0176 (PDF) Use pkgcode/variation: K8+5*	-40°C to +85°C	RoHS/Lead-Free: Lead Free Materials Analysis
MAX9019EKA		<input type="button" value="Buy"/>	Active	SOT;8 pin;9 mm ² Outline Drawing:21-0078 (PDF) Land Pattern: 90-0176 (PDF) Use pkgcode/variation: K8-5*	-40°C to +85°C	RoHS/Lead-Free: No Materials Analysis
MAX9019EKA-T		<input type="button" value="Buy"/>	Active	SOT;8 pin;9 mm ² Outline Drawing:21-0078 (PDF) Land Pattern: 90-0176 (PDF) Use pkgcode/variation: K8-5*	-40°C to +85°C	RoHS/Lead-Free: No Materials Analysis
MAX9019EKA+T		<input type="button" value="Buy"/>	Active	SOT;8 pin;9 mm ² Outline Drawing:21-0078 (PDF) Land Pattern: 90-0176 (PDF) Use pkgcode/variation: K8+5*	-40°C to +85°C	RoHS/Lead-Free: Lead Free Materials Analysis

MAX9020	Free Sample	Buy	Status	Package: TYPE PINS FOOTPRINT DRAWING CODE/VAR *	Temp	RoHS/Lead-Free? Materials Analysis
MAX9020EKA+	<input type="button" value="Sample"/>	<input type="button" value="Buy"/>	Active	SOT;8 pin;9 mm ² Outline Drawing:21-0078 (PDF) Land Pattern: 90-0176 (PDF) Use pkgcode/variation: K8+5*	-40°C to +85°C	RoHS/Lead-Free: Lead Free Materials Analysis
MAX9020EKA-T		<input type="button" value="Buy"/>	Active	SOT;8 pin;9 mm ² Outline Drawing:21-0078 (PDF) Land Pattern: 90-0176 (PDF) Use pkgcode/variation: K8-5*	-40°C to +85°C	RoHS/Lead-Free: No Materials Analysis
MAX9020EKA+T		<input type="button" value="Buy"/>	Active	SOT;8 pin;9 mm ² Outline Drawing:21-0078 (PDF) Land Pattern: 90-0176 (PDF) Use pkgcode/variation: K8+5*	-40°C to +85°C	RoHS/Lead-Free: Lead Free Materials Analysis

Didn't Find What You Need?

- [Next Day Product Selection Assistance from Applications Engineers](#)
- [Parametric Search](#)
- [Applications Help](#)

Overview

[Description](#)
[Key Features](#)
[Applications/Uses](#)
[Key Specifications](#)
[Diagram](#)
[Notes and Comments](#)

Technical Documents

[Data Sheet](#)
[Application Notes](#)
[Evaluation Kits](#)
[Design Guides](#)
[Reliability Reports](#)
[Software/Models](#)

Ordering Info

[Price and Availability](#)
[Samples](#)
[Buy Online](#)
[Package Information](#)
[Lead-Free Information](#)

Related Products

[Similar Products by Function](#)
[Similar Products by Application](#)
[Evaluation Kits](#)
[Products with Similar Part Numbers](#)
[Products Used With This](#)

Document Ref.: 19-2874 Rev 2; 2010-02-04
 This page last modified: 2010-02-04

[Contact Us](#) | [Rate This Page](#) | [Mail This Page](#) | [Privacy Policy](#) | [Legal Notices](#)

Copyright © 2011 by Maxim Integrated Products