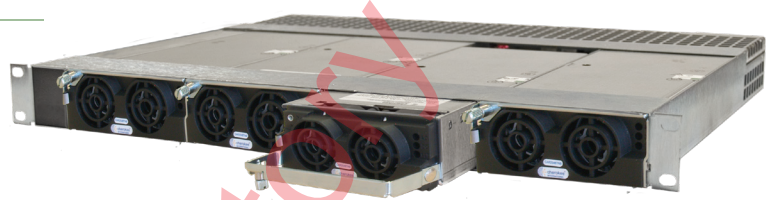


Features:

- Universal Rack for the CAR2548FP and CAR2548TN
- 10kW (7,500W N+1)
- Fully Hot-Pluggable and Redundant
- Remote Sensing
- LED Indicators
- Built-in Alarm Signals
- Full Protection Features
- World-Wide Safety Approvals

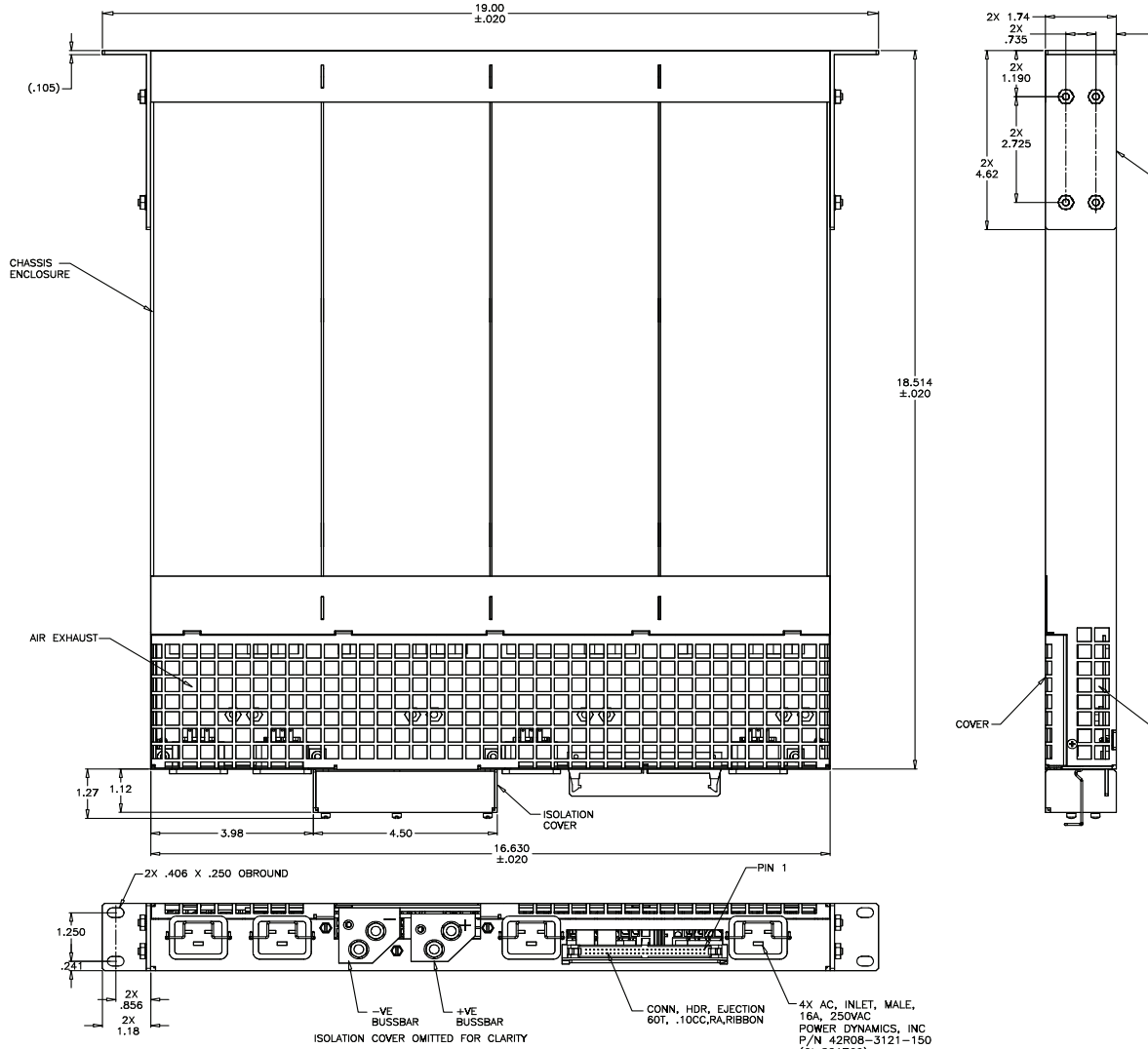


FEATURES	BENEFITS
Single Wire Current Sharing	Provide system stress balancing and increases reliability
Constant Power Option	Better suited for battery charging applications
Constant Current Option	Designed for front-end bulk supply applications
Voltage Trimming Capability	Designed for float VRLA batteries
Control and Monitoring Signals	Allows for superior system control
Universal Input & Certifications	Reduced logistic costs, meets world-wide standards
Built in Variable Speed Fan	Low noise and increased reliability
LVD and Controller Option	Complete system integration for telecom applications

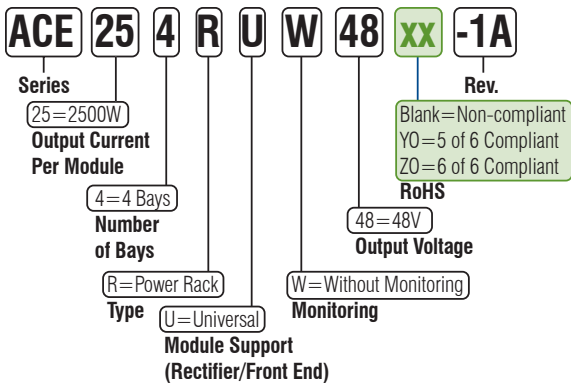
KEY MARKETS & APPLICATIONS	
■ Base Stations	■ ATE Equipment
■ Satellite Hubs	■ RF Amplifiers
■ Networking Equipment	■ Distributed Power
■ Telecom Access Nodes	
■ Central Office Switching	

SPECIFICATIONS	10,000 Watt Power Shelf for Four CAR2548 Front End & Rectifier Power Supplies	
Rectifier/Front-End Model	CAR2548TN	CAR2548FP
Output Voltage	-54VDC ±0.2V	+48VDC ±0.1V
Output Voltage Range	-42VDC to -56VDC	+43.2 to +52.8VDC
Maximum Output Power	10kW (7,500W N+1 Redundancy) at High Line	
Output Current	208A at High Line and 48VDC Operation	
Input Voltage*	180-264VAC, 47-63Hz (Individual input feeds)	
Max Input Current (per Module)	16A@180VAC	
Maximum Inrush Current	50A per input (per ETS 300 132-1)	
Power Factor	0.99 typical. Complies with IEC555, EN60555-2, EN61000-3-2	
Efficiency	92% typical at nominal load and 230VAC. (85% at 90VAC)	
Regulation - Line	±2% of input power line	
Regulation - Load	±1% of load	
Ripple and Noise	Complies with ETS300 132-2, 32dBnrc. Bandwidth: 25Hz - 20kHz. ±1% pk-pk with 0/1uF ceramoc and 10uF electrotic caps at the output.	
Load Sharing	Active single wire load sharing. Unit to share ±10% of full load.	
Transient Response	5% max deviation, 300usec recovery time @ 50% step load and di/dt < 1A/us	
Status Indicators	AC good (GREEN), DC good (GREEN), FAULT (RED)	
Alarm Signals	AC OK, AC High, DC OK, Temperature OK, Module Present, Current Monitoring, Remote ON/OFF	
Current Limit Protection	Self protected between the range of 110% - 130% of lout nominal	
Overvoltage Protection (OVP)	59VDC ±1V	
Temperature Range	-10C to 70C (Power derating above 50C at 2%/C). -40C start up.	
Shock & Vibration	IEC 68-2-27, MIL-STD-810E, 20G, Telcordia GR-63-CORE, GR-487-CORE	
EMI/EMC	Class B (FCC and CISPR compliant) - EN55022 Level B. CE Marking Level B. GR-1089-CORE	
Safety Approvals	UL: 487, 1012, 1950 CSA 22.2 No. 650 IEC: 380, 435, 950 VDE 0804, 0806 & CE Marked TUV	
Dimensions	1.74" x 19.00" x 18.07" (44.1mm x 482.6mm x 459.05mm) - including mounting ears	

OUTLINE DRAWING



PART NUMBER DEFINITION GUIDE



PIN OUT INFORMATION

1	AC OK 1	16	FAULT 2	31	-	46	SDA
2	DC OK 1	17	AC OK 3	32	FAULT 4	47	WP
3	MODPRES 1	18	DC OK 3	33	-	48	RS+
4	TEMP OK 1	19	MODPRES 3	34	-	49	RS-
5	ON/OFF 1	20	TEMP OK 3	35	-	50	Signal RTN
6	I MON 1	21	ON/OFF 3	36	-	51	-
7	-	22	I MON 3	37	-	52	3.3VSB
8	FAULT 1	23	-	38	-	53	3.3VSB
9	AC OK 2	24	FAULT 3	39	-	54	3.3VSB
10	DC OK 2	25	AC OK 4	40	-	55	3.3VSB
11	MODPRES 2	26	DC OK 4	41	-	56	-
12	TEMP OK 2	27	MODPRES 4	42	I_SHARE	57	3.3VSB RTN
13	ON/OFF 2	28	TEMP OK 4	43	VPROG	58	3.3VSB RTN
14	I MON 2	29	ON/OFF 4	44	INT	59	3.3VSB RTN
15	-	30	I MON 4	45	SCL	60	3.3VSB RTN