

RoHS COMPATIBLE PRODUCT NUMBER

54111-XXXXXXXXLFL

STANDARD PRODUCT NUMBER

54111-XXX-XX-XXXX

PLATING

- 1 = 0.76µm GOLD ON CONTACT AREA  
2µm MIN MATTE TIN ON TAIL  
OVER 1.27µm Ni MIN
- 8 = 0.38µm GOLD ON CONTACT AREA  
2µm MIN MATTE TIN ON TAIL  
OVER 1.27µm Ni MIN
- 4 = 2µm MIN MATTE TIN  
OVER 1.27µm Ni MIN

INDICATES THE PRODUCT IS RoHS COMPATIBLE SEE NOTE 8

STACK HEIGHT NOTE 6

TOTAL NB OF POSITIONS 02 TO 36

PLATING

- 1 = 0.76µm GOLD ON CONTACT AREA  
3.81µm TIN/LEAD ON TAIL  
OVER 1.27µm Ni MIN
- 8 = 0.38µm GOLD ON CONTACT AREA  
3.81µm TIN/LEAD ON TAIL  
OVER 1.27µm Ni MIN
- 4 = TIN LEAD  
OVER 1.27µm Ni MIN

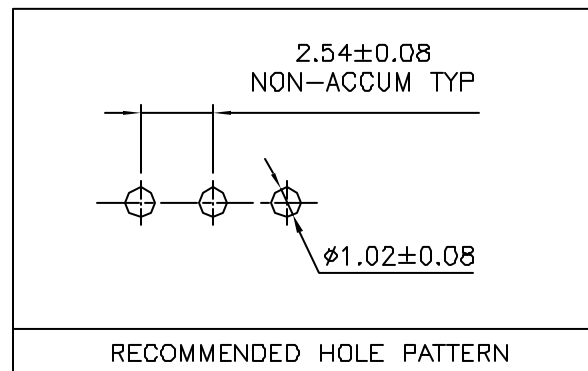
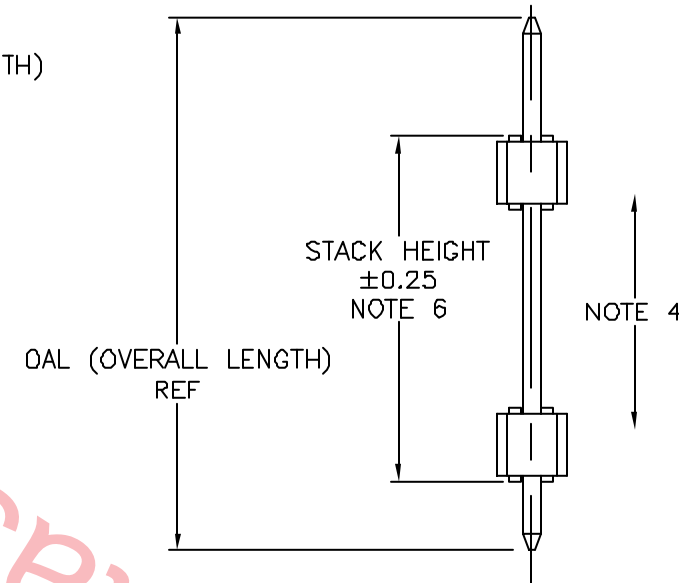
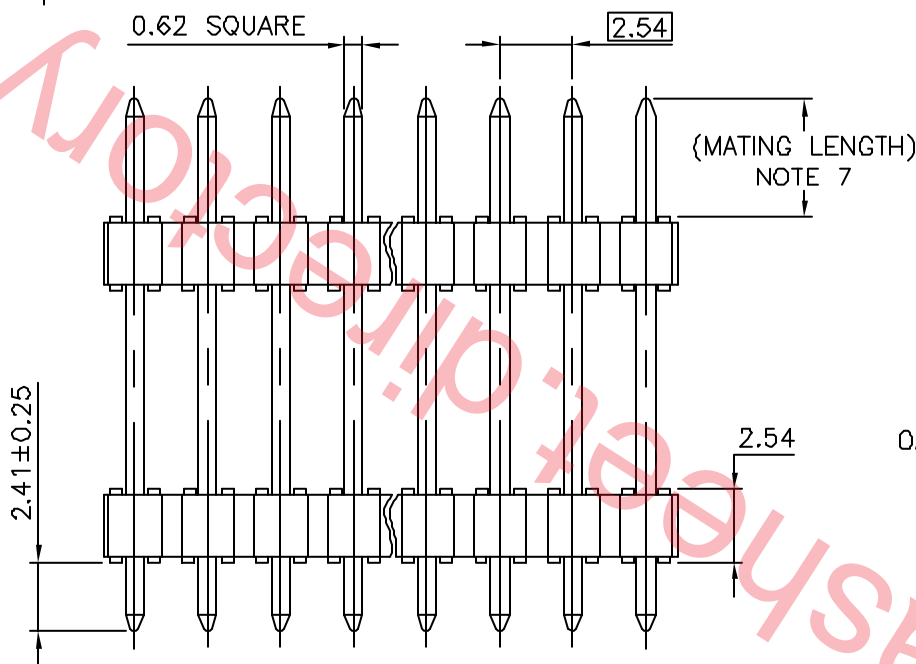
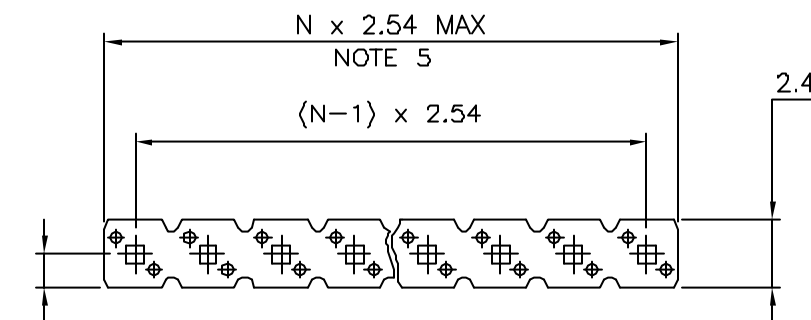
STACK HEIGHT NOTE 6

TOTAL NB OF POSITIONS 02 TO 36

NOTES:

1. HOUSING MAT'L : HIGH TEMPERATURE THERMOPLASTIC. UL94V-0 COLOR: BLACK
2. PIN MATERIAL : PHOSPHOR BRONZE
3. PRODUCT PACKAGED IN PLASTIC BOX
4. 9N MIN RETENTION IN EITHER DIRECTION
5. TO DETERMINE DIMENSIONS :  
N = NUMBER OF POSITIONS PER ROW  
EXAMPLE : 8 POS PER ROW, N x 2.54 = 20.32mm
6. XXXX = MILLIMETERS  
SPECIFY MILLIMETERS  
8mm MIN TO 25.0mm MAX AVAILABLE  
IN 0.5mm INCREMENT  
EXAMPLE FOR STACK HEIGHT: 1 2 5 0 = 12.5mm
7. MATING LENGTH = (OAL)-(2.41)-(STACK HEIGHT)
8. RoHS COMPATIBLE PRODUCT SPECIFICATIONS
  - a - PLATING:
    - "LF" MEANS THE PRODUCT IS LEAD-FREE, 2µm MINIMUM MATTE TIN OVER 1.27µm MINIMUM NICKEL UNDERPLATE.
  - b - MANUFACTURING PROCESS COMPATIBILITY
    - THE HOUSING WILL WITHSTAND EXPOSURE TO 260°C ±5°C SOLDER BATH TEMPERATURE FOR 5 SECONDS IN A WAVE SOLDER APPLICATION WITH A 1.6mm MIN THICK CIRCUIT BOARD.
  - c - LABELLING:
    - MEETS PACKAGING SPECS AS PER GS-14-920
  - d - THIS PRODUCT MEETS EUROPEAN UNION DIRECTIVES AND OTHER COUNTRY REGULATIONS AS DESCRIBED IN GS-22-008

PIN STYLE	OAL
01	12.2
02	13.5
03	15.9
04	16.76
05	17.65
06	18.91
07	20.96
08	23.5
09	26.04
10	28.58
11	31.12
12	33.66
13	34
14	26.42
15	16.58
16	36.2
18	28



mat'l. code		surface		tolerance		projection		product family	
SEE NOTES		ISO 1302 ✓		ISO 406 ISO 1101		mm		BERGSTIK	
ltr	ecn no	dr	date	tolerances unless otherwise specified		mm		title	
A	F10119	DLE	01.01.24	angles	linear	x.x ±0.3	UNSHR.HEADER		
B	F10305	JCO	01.05.03			x.xx ±0.13	STR SR TMT		
C	F03-0227	DLE	03.06.13			x.xxx ±0.05	scale 4:1		
D	F04-0385	LMU	04.12.16	dr	D.LE	01.01.24	FCJ		dwg no
E	F06-0196	LMU	06.06.13	enr	JM.C	01.01.24	sheet 1 of 1		size
				chr	JM.C	01.01.24	54111		A3
				appd	JF.N	01.01.24	type		Drawing
sheet index	revision sheet						CUSTOMER		



Copyright FCJ