

A-14-13

EXAMPLE & ORDERING CODE

PHONE JACKS PHJ - **8** P **8** C - **1** **S** - **8** - **4**

NUMBER OF POSITIONS:
 = 4
 = 6
 = 8
 = 10

NUMBER OF CONTACTS:
 = 2
 = 4
 = 6
 = 8
 = 10

NUMBER OF PORTS: 1 THROUGH 12

OPTIONS:
 UNSHIELDED = BLANK
 SHIELDED = S

BODY STYLE: SEE CATALOG PAGES 108-122

COLOR:
 BLACK = BLANK
 GRAY = G
 (FOR COUPLER ONLY): RED = R
 BLUE = B
 YELLOW = Y
 GREEN = N
 WHITE = W
 IVORY = I

PLATING:
 6μ" OF GOLD = BLANK
 10μ" OF GOLD = 1
 15μ" OF GOLD = 2
 20μ" OF GOLD = 3
 30μ" OF GOLD = 4
 (STANDARD) 50μ" OF GOLD = 5

TELEPHONE JACKS & PLUGS

6

SPECIFICATIONS

MATERIAL AND FINISH:

Shell: (shielded)
 Material: PBT Mixed 15% Glass Fiber
 Rating: UL 94V-0
 Shield: Tin Plated Phosphor Bronze

Shell: (unshielded)
 Material: PBT mixed 15% Glass Fiber
 Rating: UL 94V-0

Contacts:

Material: 0.38mm flat pin Phosphor Bronze Alloy
 Plating: Gold 30μ"
 Tin 150μ"
 Nickel 50μ"

MECHANICAL:

Mating Force: 2 contacts = 350 g
 4 contacts = 500 g
 6 contacts = 750 g
 8 contacts = 900 g
Retention Force: (between jack and plug) 7.7 kg

ELECTRICAL SPECIFICATIONS:

Rated Current: 1.5A
Insulator Resistance: 500 Megaohm min.
Contact Resistance: 20 milliohm max. per contact
Dielectric Withstanding Strength: 1000 VAC RMS @ 60 Hz
Shield: Shielding effective from 30 MHz

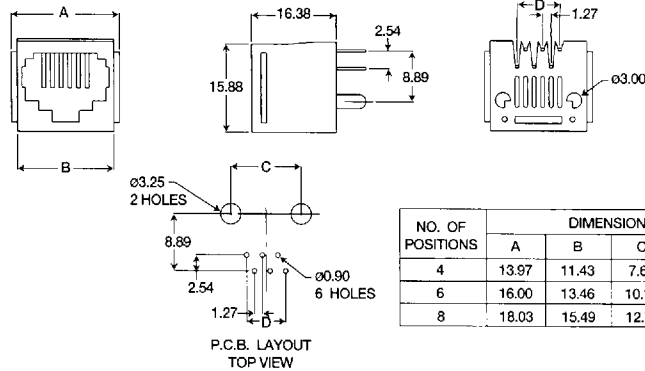
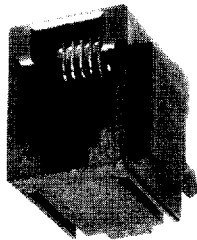


59 Lakeside Avenue • West Orange, N.J. 07052-0539 • 201 736-5722 • FAX: 201 736-8930

Vertical

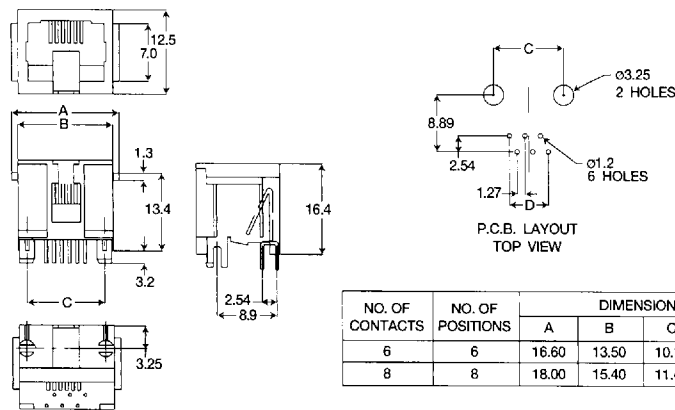
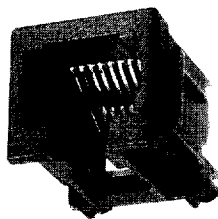
PHJ-6P6C-1-V-5

(shown)

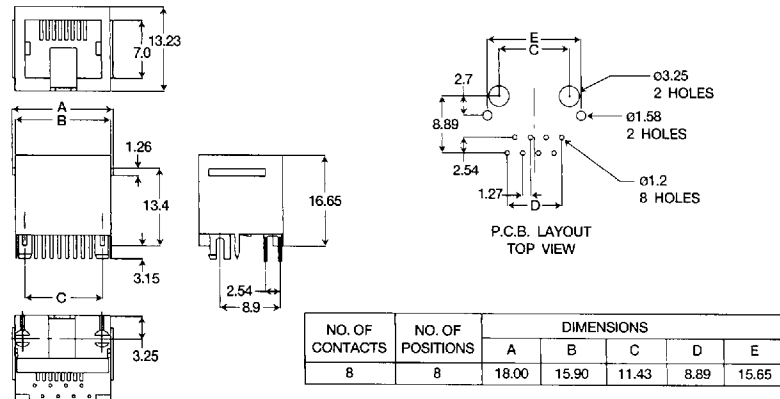
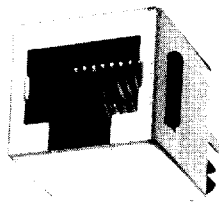


PHJ-8P8C-1-2-5

(shown)

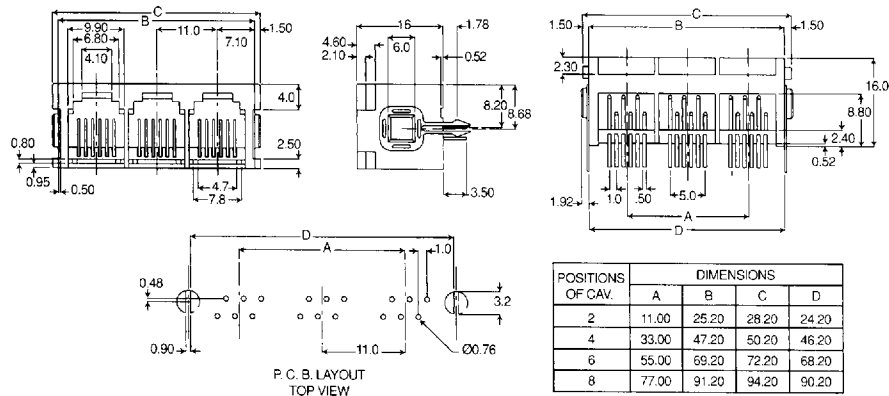
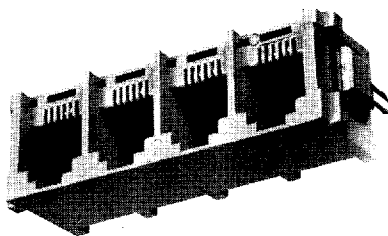


PHJ-8P8C-1S-2-5
Fully Shielded



PHJ-6P6C-X-M-5

(shown)

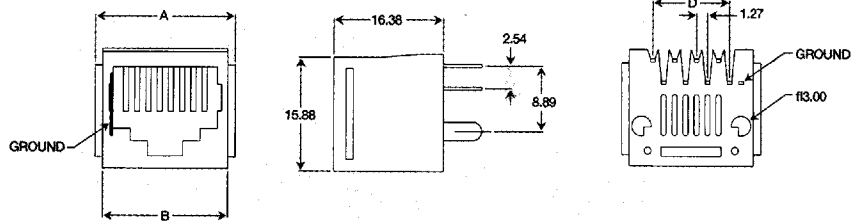
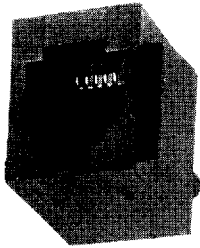


Specifications subject to change without notice. Dimensions in mm.

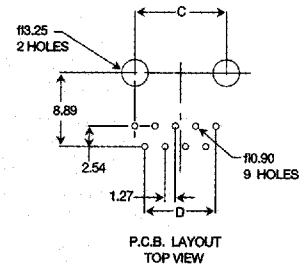


Vertical

PHJ-8P8C-1G-V-5

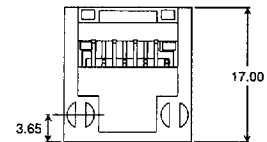
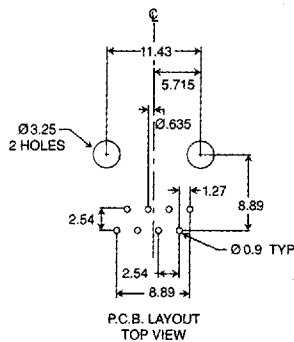
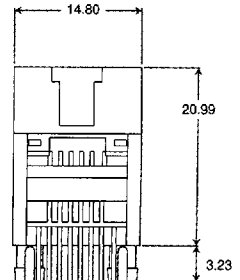
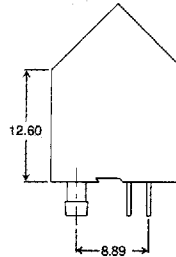
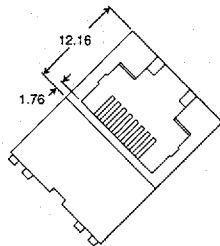
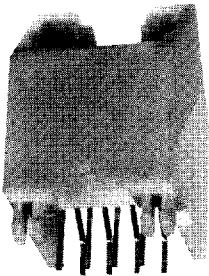


NO. OF POSITIONS	DIMENSIONS			
	A	B	C	D
8	18.03	15.49	12.70	8.89



6 TELEPHONE JACKS & PLUGS

PHJ-8P8C-1-4-5



Specifications subject to change without notice. Dimensions in mm.

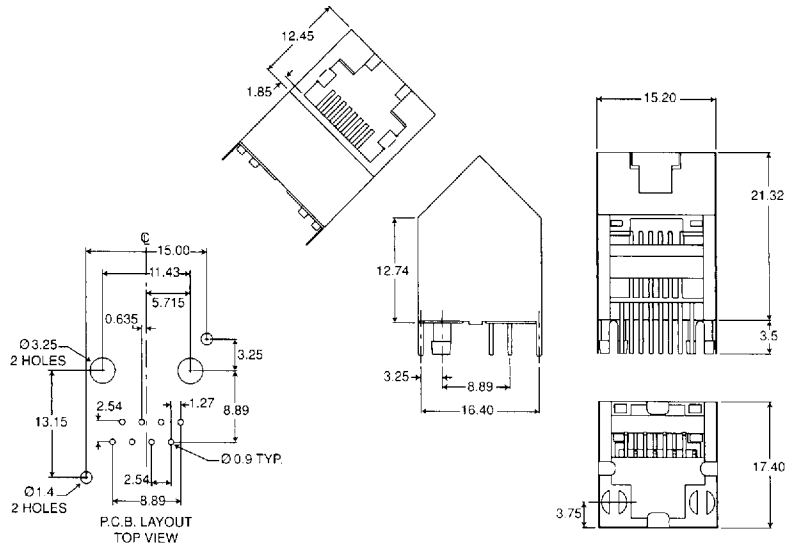
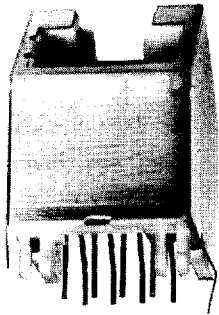


59 Lakeside Avenue • West Orange, N.J. 07052-0539 • 201 736-5722 • FAX: 201 736-8930

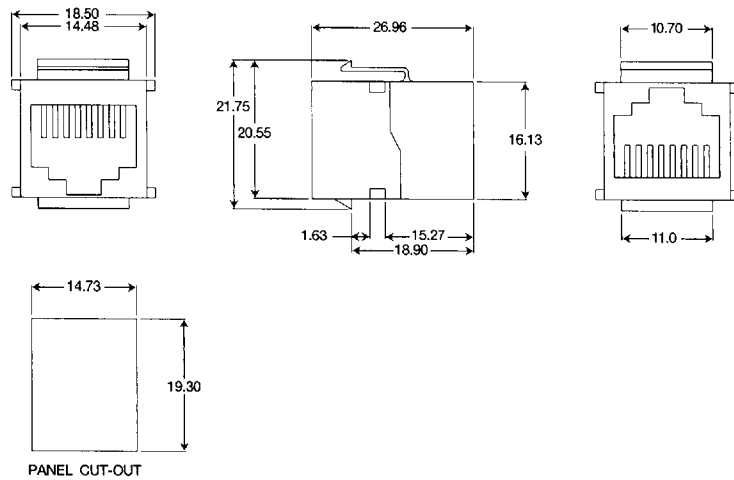
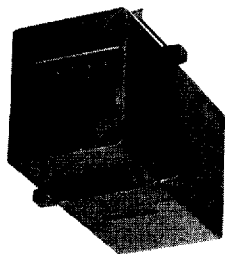
Verticle/Couplers



PHJ-8P8C-1S-4-5
Fully Shielded

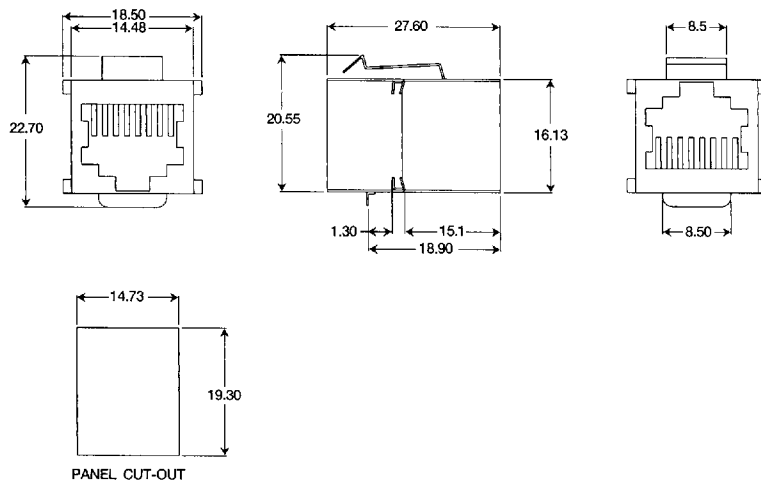
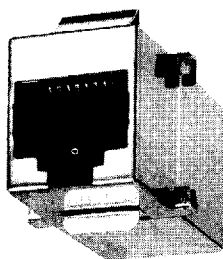


PHJ-8P8C-1-S-5
(shown)



Also available in 6P6C, 6P4C, and 6P2C.

PHJ-8P8C-1S-S-5
(shown)
Fully Shielded



Specifications subject to change without notice. Dimensions in mm.



59 Lakeside Avenue • West Orange, N.J. 07052-0539 • 201 736-5722 • FAX: 201 736-8930

D 06F ■ 7286705 0001482 546 ■

6 TELEPHONE JACKS & PLUGS