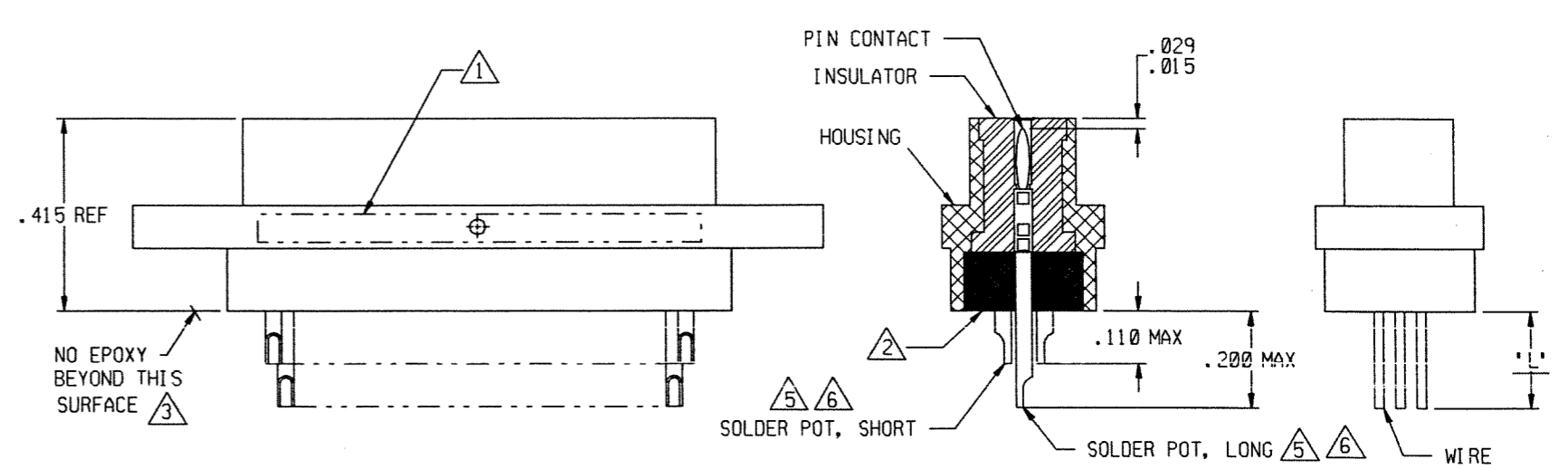
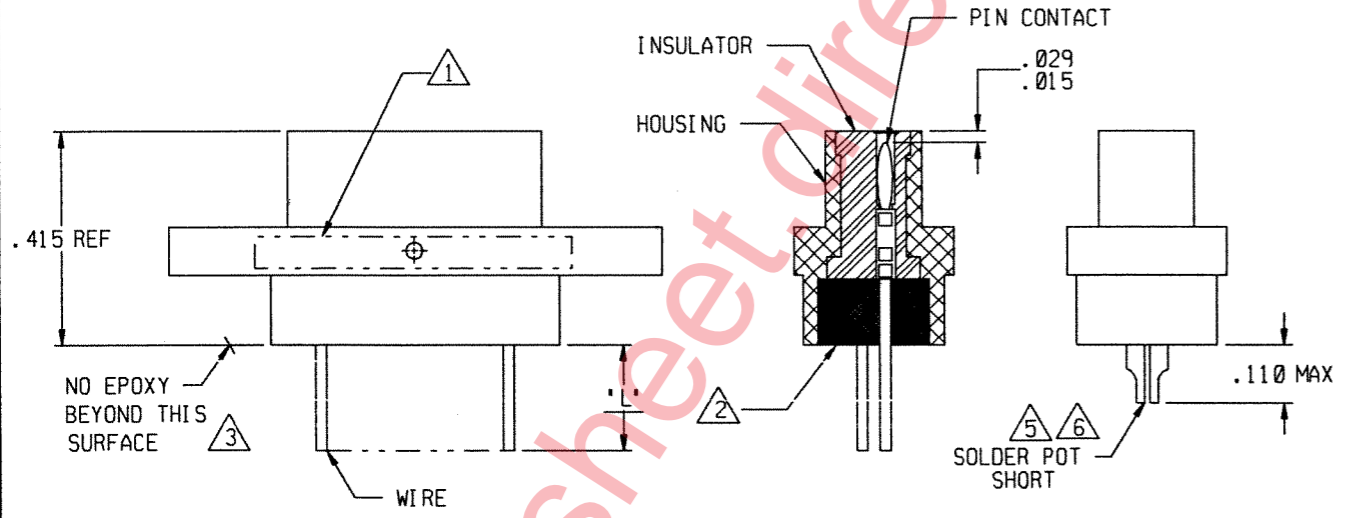
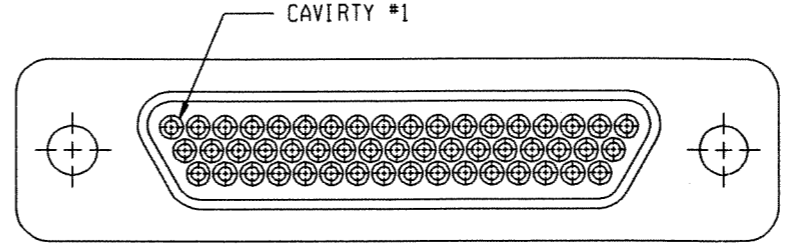
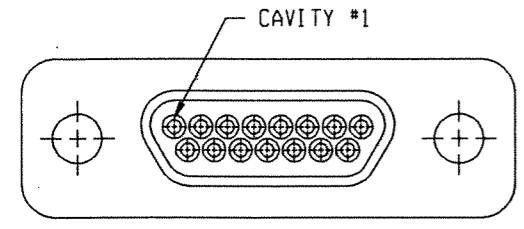


REVISION					
ZONE	LTR	ECN	DESCRIPTION	DATE	APPROVED
C		38864	UPDATE MKING & EPOXY NOTES	4/2/99	[Signature]



**9 THRU 37 CONFIGURATION**

(SHOWN WITH WIRE TERMINATIONS FOR REFERENCE ONLY. SOLDER POT TERMINATIONS ARE THE SAME CONFIGURATION)

**51 CONFIGURATION**

(SHOWN WITH SOLDER POT TERMINATIONS FOR REFERENCE ONLY. WIRE TERMINATIONS ARE THE SAME CONFIGURATION)

NOTES: UNLESS OTHERWISE SPECIFIED.

- 1 MARK PER TIS.
- 2 EPOXY AS SHOWN USE 194-8102-6215/6225.
- 3 EPOXY WICKING: UNINSULATED WIRE: .050 MAX  
INSULATED WIRE UPTO #25 AWG: .125 MAX  
INSULATED WIRE UPTO #24 AWG OR LARGER: .200 MAX
- 4. CRIMP LEADS INTO CONTACTS PER MEP302-05.
- 5 NO SCRATCHES SHOWING BASE METAL PERMITTED ON SOLDER POTS.
- 6 CHAMFER ON SOLDER POTS ARE TO BE PARALLEL WITH SIDES OF CONNECTOR WITHIN 10°.

Tyco Dwg 7-1532141-2  
Micro P/N 094-0000-0011

UNLESS OTHERWISE SPECIFIED DIMENSIONS ARE IN INCHES. TOLERANCE ARE:		APPROVALS		MICRODOT CONNECTORS A DIVISION OF UNI-STAR INDUSTRIES INC. 306 PASADENA AVE., SO. PASADENA, CA 91030
FRACTIONS	DECIMALS	ANGLES	SIGNATURE	
± 1/8	.XX ± .01 .XXX ± .005	± 2°	DATE: 4/2/99	METAL SHELL "D" CONNECTOR PLUG, PER MIL-PRF-83513 SIZE 9 THRU 51
MATERIAL:				
FINISH:				SIZE: B CODE IDENT NO.: 98278 DRAWING NO.: 094-0000-0011
THIS DOCUMENT IS THE PROPERTY OF MICRODOT CONNECTORS, A DIVISION OF UNI-STAR INDUSTRIES INC. USE OF THIS DOCUMENT OR ANY PART THEREOF IS STRICTLY FORBIDDEN WITHOUT THE EXPRESS WRITTEN PERMISSION OF MICRODOT CONNECTORS, A DIVISION OF UNI-STAR INDUSTRIES INC.				SCALE: NONE SHEET 1 OF 1