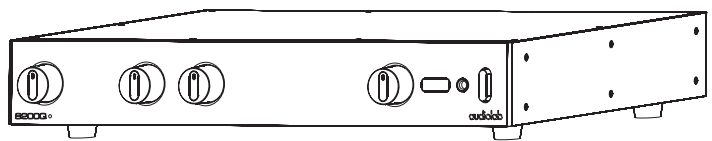


# Service Manual

E l e c t r o n i c s

## 8200Q

# Datasheet.Directory





1. Introduction .....	1
2. Specification .....	2
3. Assembly Sketch .....	3
4. Schematic Diagram .....	4-15
5. Wiring Diagram .....	16
6. Silkscreen of Top/Bottom .....	17-20
7. Maintenance Alignment Procedure .....	21
8. Assembly Parts List .....	22-23
9. Electronic Parts List .....	24-29

No part of this document may be reproduced or transmitted in any form or by any means, electronic or mechanical, for any purpose, without the express written permission of International Audio Group Limited (IAG)

This manual is for the exclusive use of IAG, its approved distributors and approved UK service agents.

No part of this manual shall be transferred to any other party without the express written permission of IAG.

It is the responsibility of the user to ensure that all the information contained in this manual is current. Notification for new issues of this manual and minor updates will be given via the IAG web-site or on request.

This manual has been prepared with the greatest care, it is intended for information only and no liability shall be accepted for errors or changes to specification.

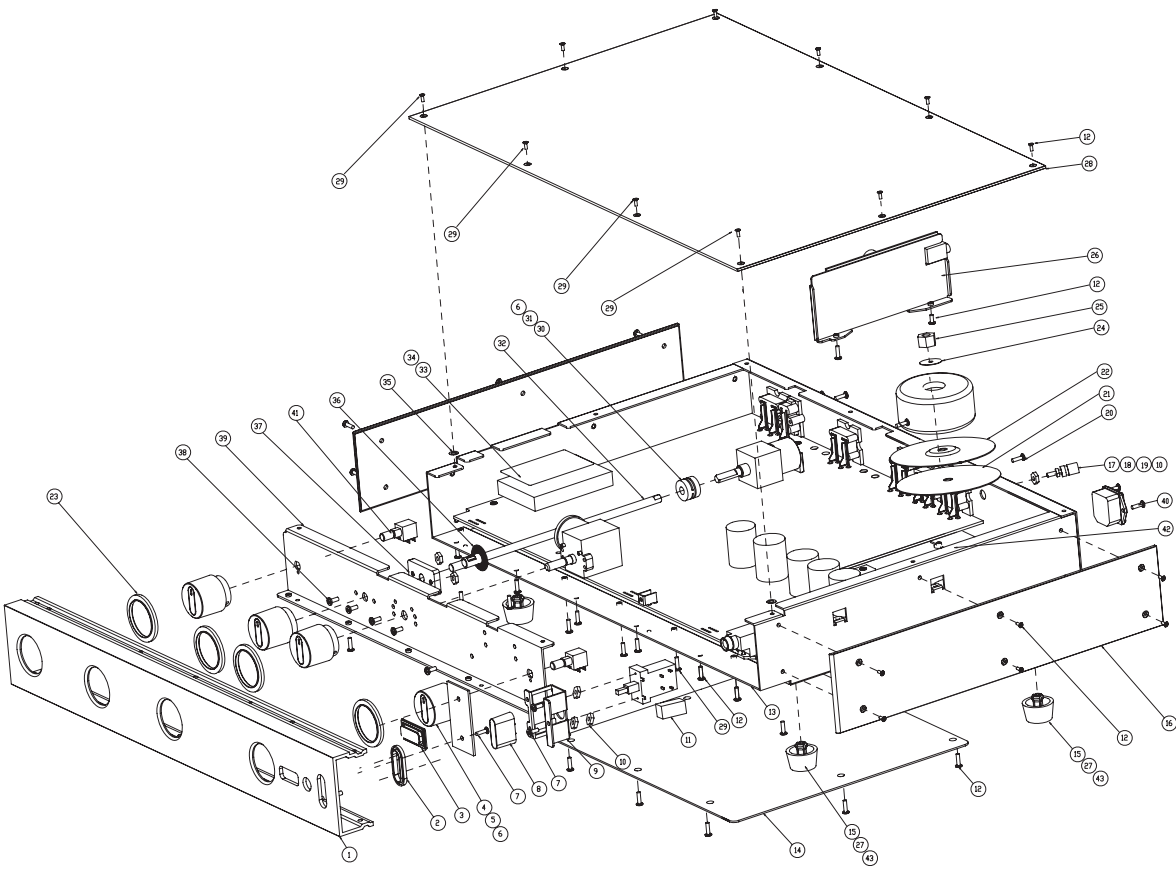
For further service information, parts lists and updates, please contact our web-site at [www.international audio group.com](http://www.internationalaudio.com) .

© 2011 International Audio Group Limited. All rights reserved.

## SPECIFICATION

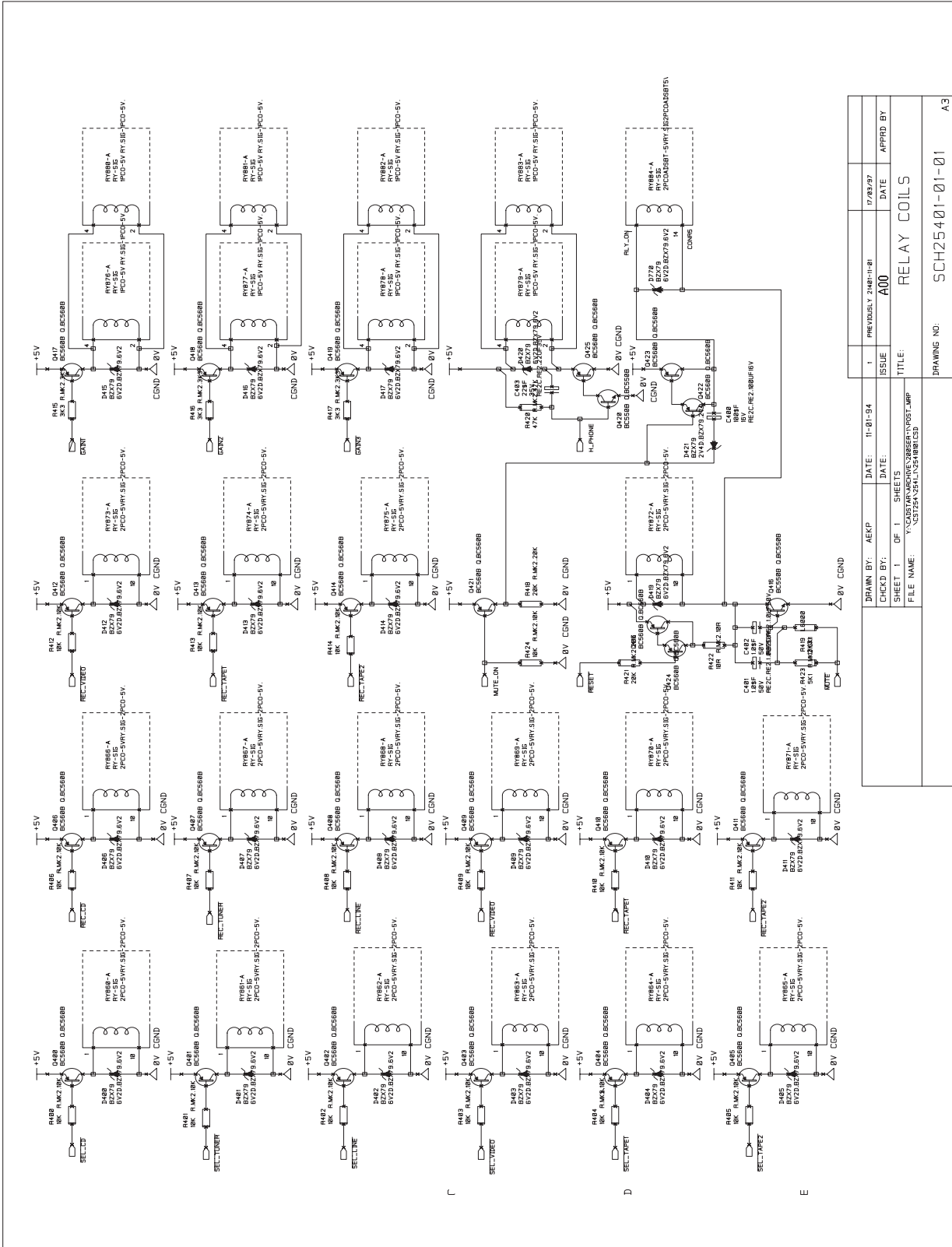
<b>Inputs: Gain and Sensitivity</b>	CD, TUNER, AUX, VIDEO, TAPE 1, TAPE 2: IMPEDANCE: 20k $\Omega$ GAIN: Adjustable by 3dB steps 0 -15dB., corresponding to SENSITIVITY (nom.): 100mV, 140mV, 200mV, 283mV, 400mV, 562mV HEADPHONES: Gain adjustable 18dB - 33dB in 3dB steps
<b>Signal To Noise Ratio</b> (IHF, rel. 0.5V output)	Any input, any gain setting: 97dB Headphones: 80 dB
<b>Frequency Response</b>	10 Hz-20 kHz $\pm$ 0.2 dB: 1Hz-75 kHz -3 dB
<b>Total Harmonic Distortion&amp;Noise</b>	Less than 0.007%ref 7.7V rms, 20Hz - 20kHz
<b>Channel Balance</b>	Within 1 dB
<b>Channel Separation</b>	Better than100 dB@1 kHz any input, any setting
<b>Pre-amp Output</b>	Max. Output >7.7 V RMS(20dBm); Output impedance 75 $\Omega$
<b>Headphone Output</b>	>7.7Vrms;100 (for headphones 8 -2 k impedance)
<b>Record Output</b>	VIDEO OUT, TAPE 1 OUT, TAPE 2 OUT:Gain 0 dB (x1); 100 $\Omega$
<b>Muting</b>	Attenuation>63 dB, controlled automatically
<b>Operating Temperature Range</b>	10-35 $^{\circ}$ C
<b>Power Requirements</b> (Depending on Region)	50-60Hz 100V, 110-120V, and 220-230V models available Maximum Power Consumption: 25 VA
<b>Dimensions</b> (W $\times$ H $\times$ D)	445 $\times$ 74 $\times$ 335mm- including feet, terminals and controls 445 $\times$ 64 $\times$ 302mm-excluding feet, terminals and controls
<b>Weight</b>	Net: 6 kg Shipping: 7.3 kg

ASSEMBLY SKETCH



# SCHEMATIC DIAGRAM

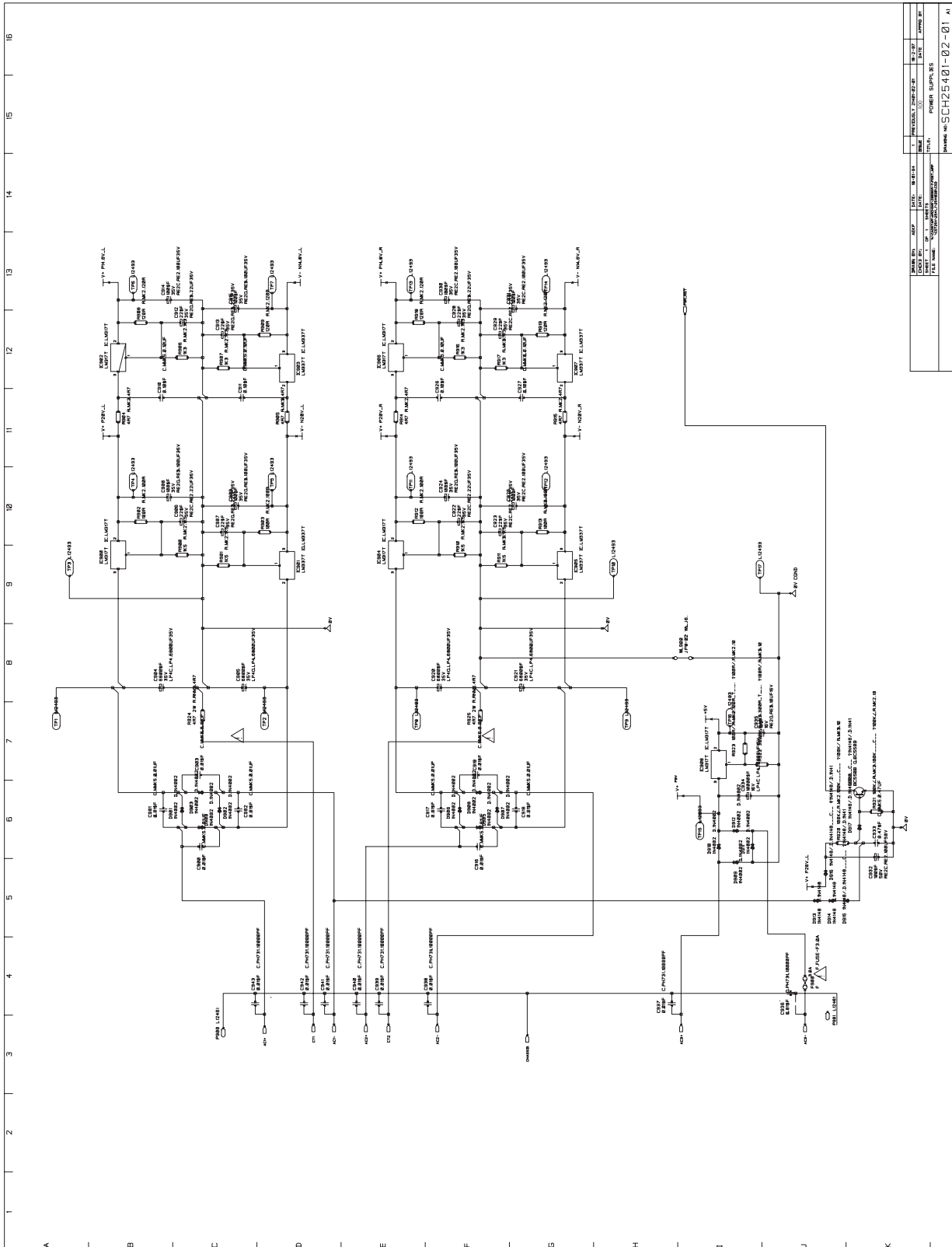
8200Q-Mainboard-P1/10



1	PREVIOUSLY 248E-11-00	17/09/07	
CHECKED BY:	A00	DATE:	
SHEET 1	OF 1	SHEETS	
FILE NAME:	C:\ST754\254\1\34\H01\PCSD		
DRAWN BY:		SCH25401-01-01	
TITLE:		RELAY COILS	
DRAWING NO.:		A3	

# SCHEMATIC DIAGRAM

8200Q-Mainboard-P2/10



NO.	REV.	DATE	BY	CHK.	APP.	REV.	DATE	BY	CHK.	APP.
1	1	2008.02.28	WANG	WANG	WANG	1	2008.02.28	WANG	WANG	WANG

NO.	REV.	DATE	BY	CHK.	APP.	REV.	DATE	BY	CHK.	APP.
1	1	2008.02.28	WANG	WANG	WANG	1	2008.02.28	WANG	WANG	WANG

NO.	REV.	DATE	BY	CHK.	APP.	REV.	DATE	BY	CHK.	APP.
1	1	2008.02.28	WANG	WANG	WANG	1	2008.02.28	WANG	WANG	WANG

NO.	REV.	DATE	BY	CHK.	APP.	REV.	DATE	BY	CHK.	APP.
1	1	2008.02.28	WANG	WANG	WANG	1	2008.02.28	WANG	WANG	WANG

NO.	REV.	DATE	BY	CHK.	APP.	REV.	DATE	BY	CHK.	APP.
1	1	2008.02.28	WANG	WANG	WANG	1	2008.02.28	WANG	WANG	WANG

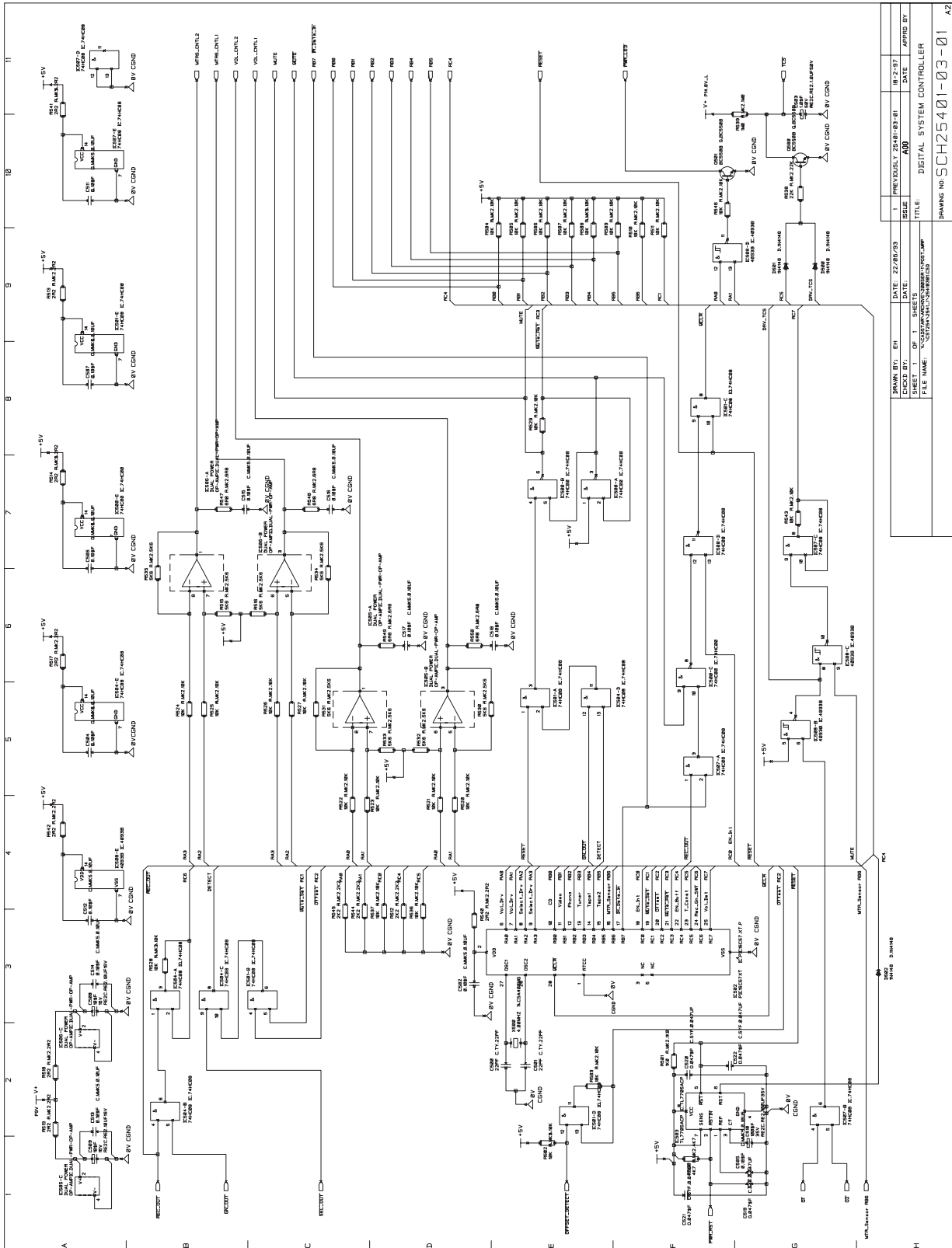
NO.	REV.	DATE	BY	CHK.	APP.	REV.	DATE	BY	CHK.	APP.
1	1	2008.02.28	WANG	WANG	WANG	1	2008.02.28	WANG	WANG	WANG

NO.	REV.	DATE	BY	CHK.	APP.	REV.	DATE	BY	CHK.	APP.
1	1	2008.02.28	WANG	WANG	WANG	1	2008.02.28	WANG	WANG	WANG



# SCHEMATIC DIAGRAM

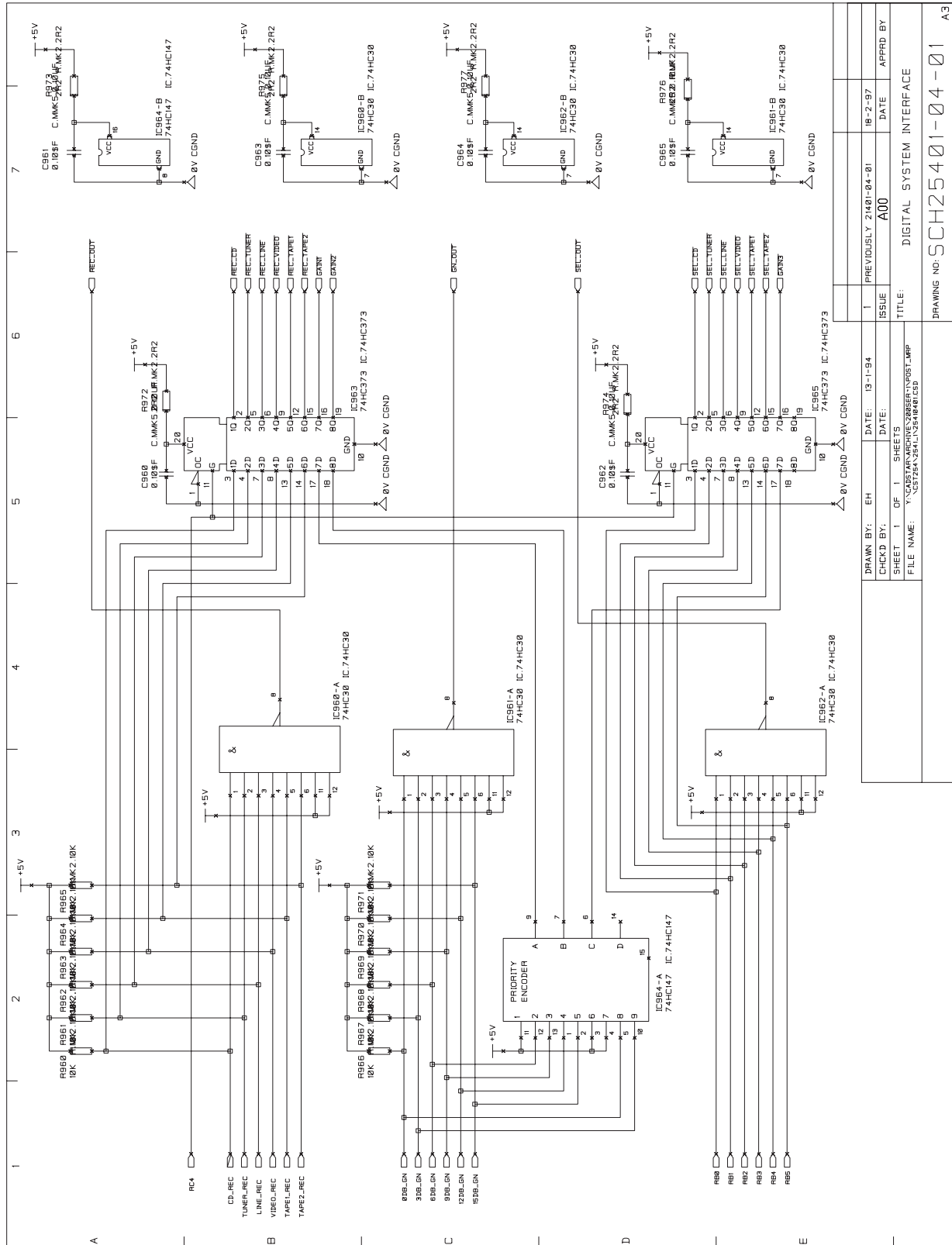
8200Q-Mainboard-P3/10



DRAWN BY: EPH	DATE: 22/09/93	NO: 2-97	APPROD BY:
CHECKED BY:	DATE:	NO:	DATE:
SHEET: 1	OF: 1	SHEETS	
FILE NAME: \VOT\MAIN\8200Q\M3	TITLE: DIGITAL SYSTEM CONTROLLER		
DRAWING NO: SCH25401-03-01			A2

# SCHEMATIC DIAGRAM

8200Q-Mainboard-P4/10



DATE:	13-1-94
ISSUE:	1 PREVIOUSLY 21401-04-01
DATE:	18-2-97
ISSUE:	A00
TITLE:	DIGITAL SYSTEM INTERFACE
DRAWING NO.:	SCH25401-04-01

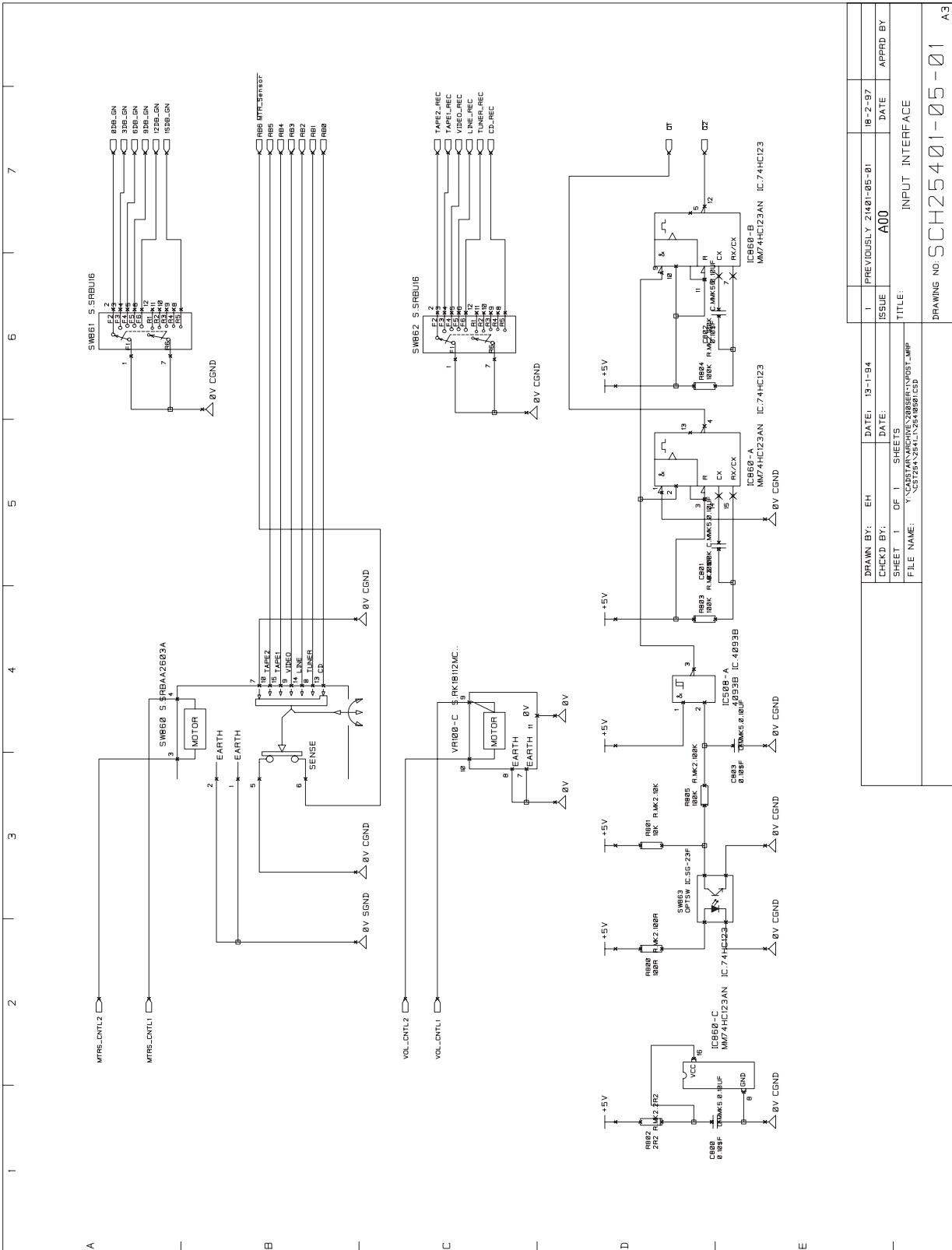
DRAWN BY:	EH
CHECKED BY:	
SHEET 1 OF 1 SHEETS	
FILE NAME:	V:\SANS\PC\REVIEWS\2008\REV\N5051_MRP
	V:\S254\2541-1-94-00.CSD

APPROD BY:	
DATE:	

APPROD BY:	
DATE:	

# SCHEMATIC DIAGRAM

8200Q-Mainboard-P5/10

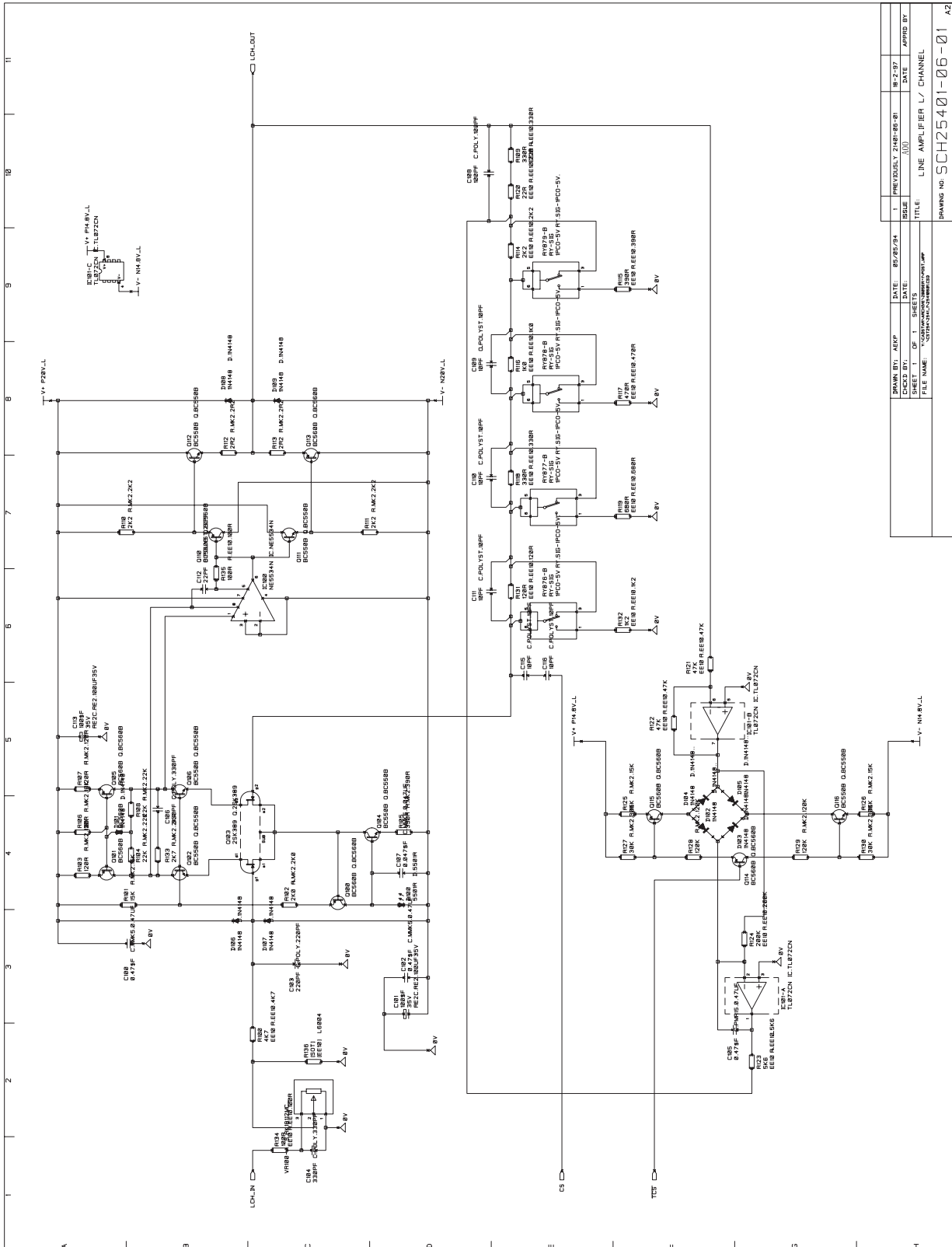


DRAWN BY:	EH	DATE:	13-1-94
CHECKD BY:		DATE:	
SHEET 1 OF 1 SHEETS	ISSUE A00 PREVIOUSLY 21401-05-01		
FILE NAME:	C:\CARTON\8200Q\8200SERV\POST_AMP		
TITLE: INPUT INTERFACE			
DRAWING NO: SCH25401-05-01			

A3			
----	--	--	--

# SCHEMATIC DIAGRAM

8200Q-Mainboard-P6/10



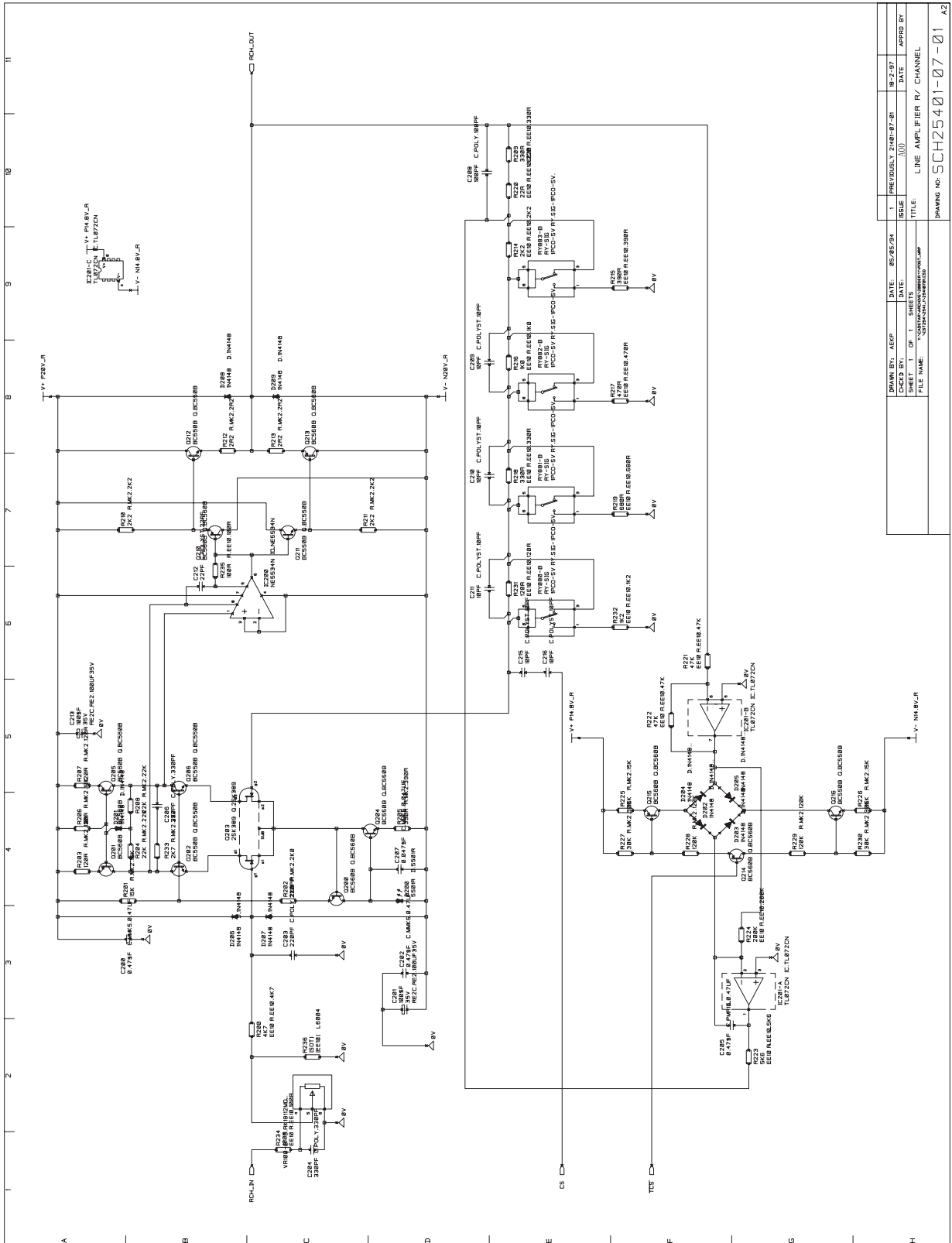
DESIGNED BY	DATE	REVISED BY	DATE
CHKD BY	DATE	REVISED BY	DATE
SHEET 1 OF 1 SHEETS	TITLE		
FILE NAME	DRAWING NO.		

DESIGNED BY	DATE	REVISED BY	DATE
CHKD BY	DATE	REVISED BY	DATE
SHEET 1 OF 1 SHEETS	TITLE		
FILE NAME	DRAWING NO.		

DESIGNED BY	DATE	REVISED BY	DATE
CHKD BY	DATE	REVISED BY	DATE
SHEET 1 OF 1 SHEETS	TITLE		
FILE NAME	DRAWING NO.		

# SCHEMATIC DIAGRAM

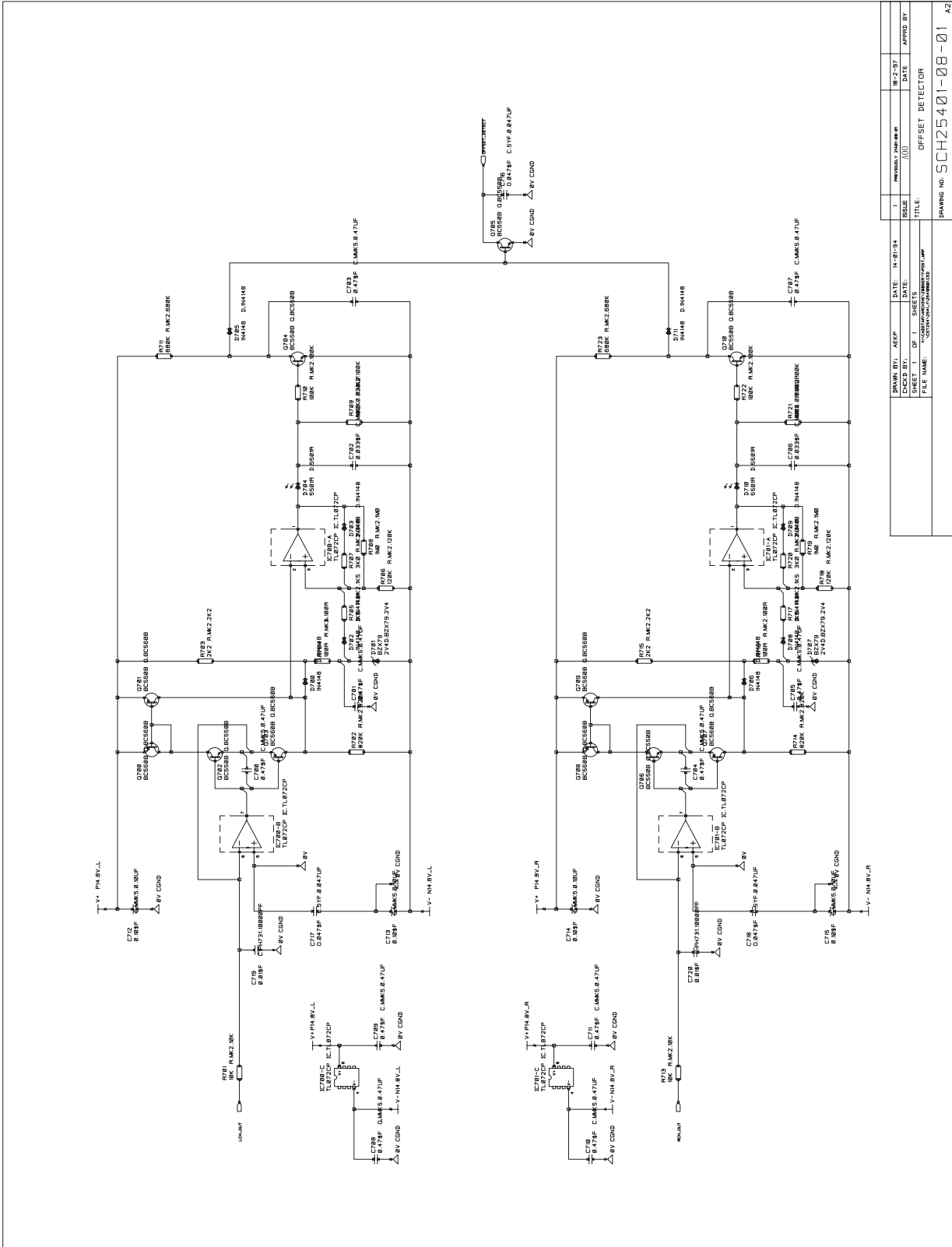
8200Q-Mainboard-P7/10



DRWN BY: AEMP	DATE: 08/26/94	DATE: 08-2-97	NO: 2-07
CHKD BY: JAO	DATE: 09/01/94	DATE: 08-2-97	NO: 2-07
SHEET: 1	OF: 1	SHEETS: 1	CHANNEL: CHANNEL
FILE NAME: SCH25401-07-01	TITLE: LINE AMPLIFIER P7	DATE: 08-2-97	NO: 2-07
DRAWING NO: SCH25401-07-01			

# SCHEMATIC DIAGRAM

8200Q-Mainboard-P8/10

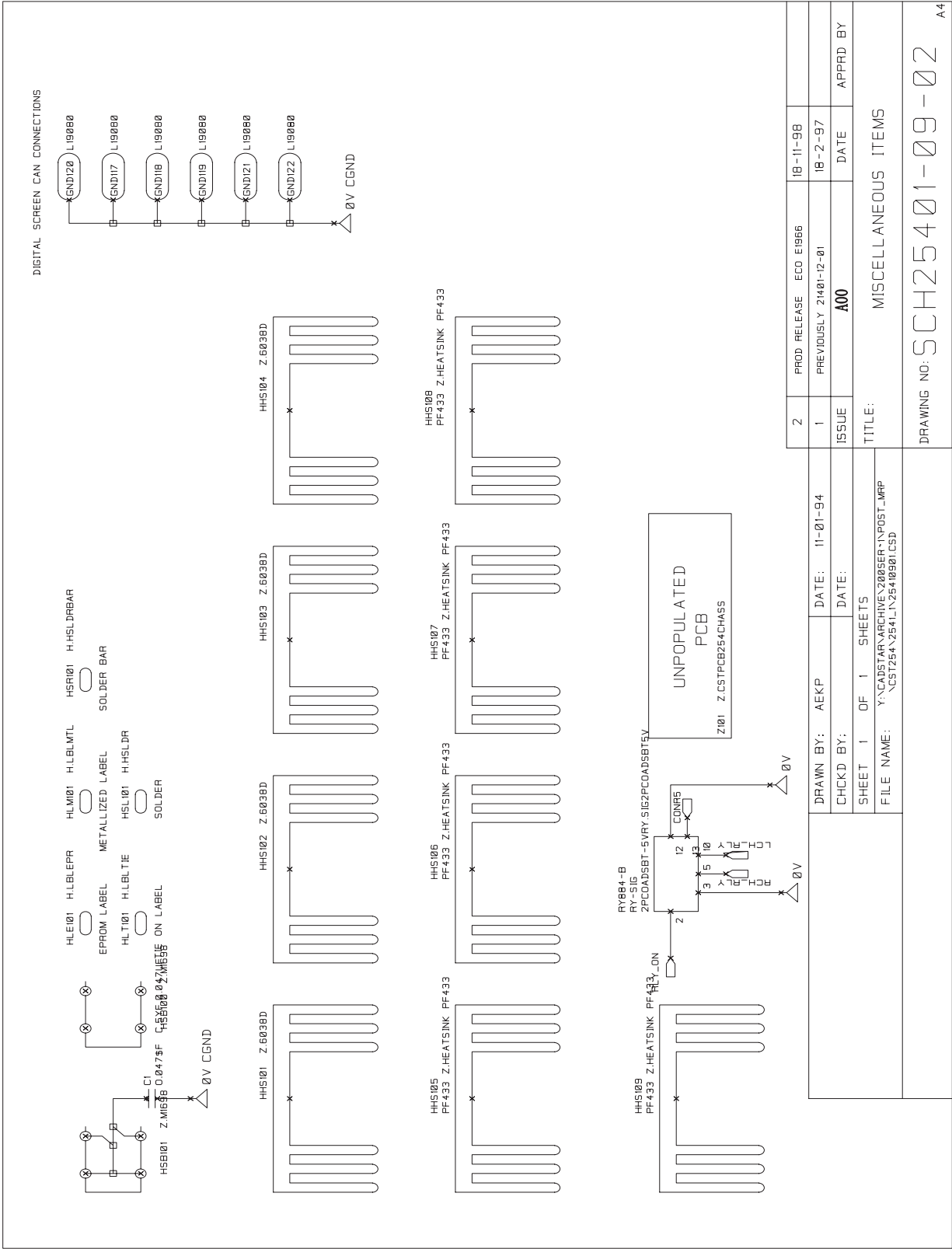


DRAWN BY:	AKSP	DATE:	14.01.14
CHECK BY:		DATE:	16.02.17
SHEET:	1	OF:	1
FILE NAME:	SCH25401-08-01		
TITLE:	OFFSET DETECTOR		
DRAWING NO: SCH25401-08-01			

DRAWN BY:	AKSP	DATE:	14.01.14
CHECK BY:		DATE:	16.02.17
SHEET:	1	OF:	1
FILE NAME:	SCH25401-08-01		
TITLE:	OFFSET DETECTOR		
DRAWING NO: SCH25401-08-01			

**SCHEMATIC DIAGRAM**

8200Q-Mainboard-P9/10

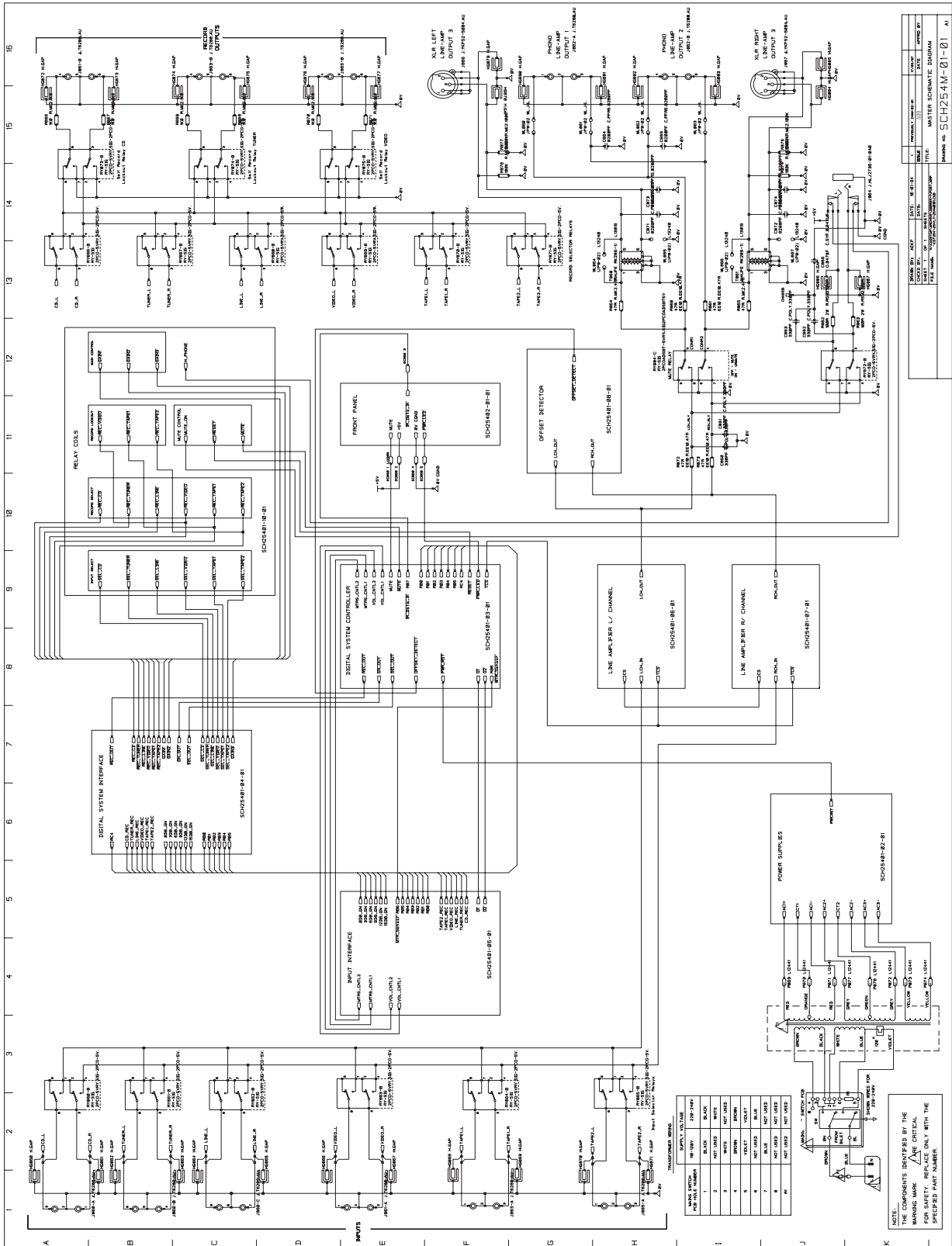


2	PROD RELEASE	ECC E1866	18-11-98
1	PREVIOUSLY	21401-12-01	18-2-97
ISSUE	A00	DATE	APPRD BY
TITLE: MISCELLANEOUS ITEMS			
DRAWING NO: SCH25401-09-02			
A4			

DRAWN BY:	AEKP	DATE:	11-01-94
CHECKD BY:		DATE:	
SHEET 1	OF 1	SHEETS	
FILE NAME:	Y:\CADSTAR\ARCHIVE\2005SER\NPOST.MRP		
	CST254_2541.L\25410901.CSD		

# SCHEMATIC DIAGRAM

8200Q-Mainboard-P10/10



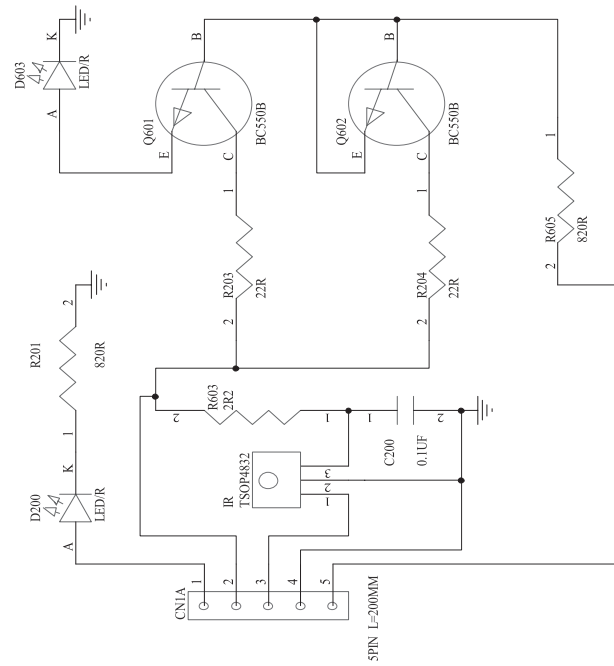
DATE: 1981-08-11  
 DRAWN BY: J. W. B. / J. W. B.  
 CHECKED BY: J. W. B. / J. W. B.  
 TITLE: MASTER SCHEMATIC DIAGRAM  
 PART NO. SCH254W-01-01

NOTE:  
 THE COMPONENTS IDENTIFIED BY THE  
 WARNING MARK ARE CRITICAL  
 FOR SAFETY. REPLACE ONLY WITH THE  
 SPECIFIED PART NUMBER.



# SCHEMATIC DIAGRAM

8200Q-IR Receiver-P1/1

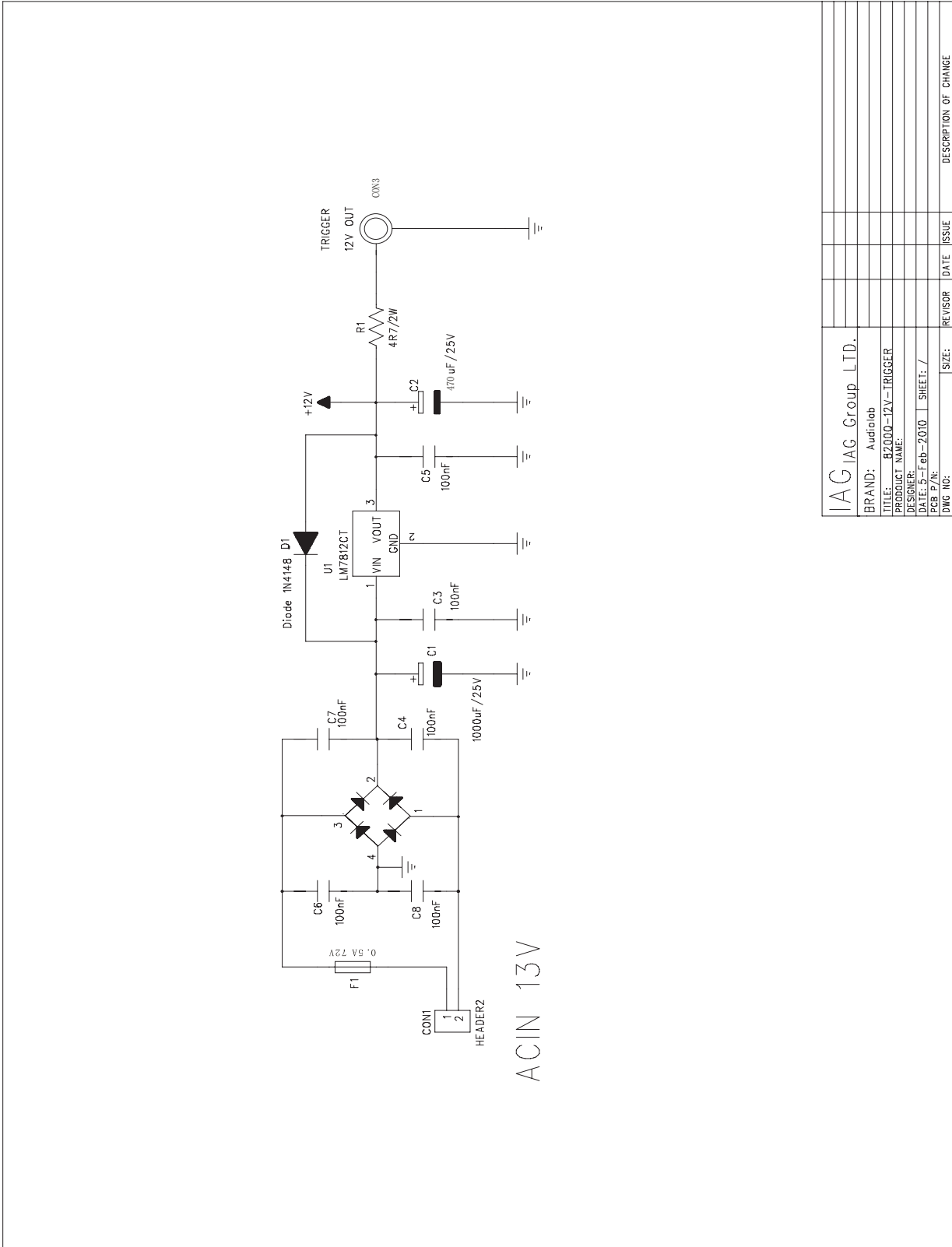


8200Q IR SCH

053-1028411026R ISS2

# SCHEMATIC DIAGRAM

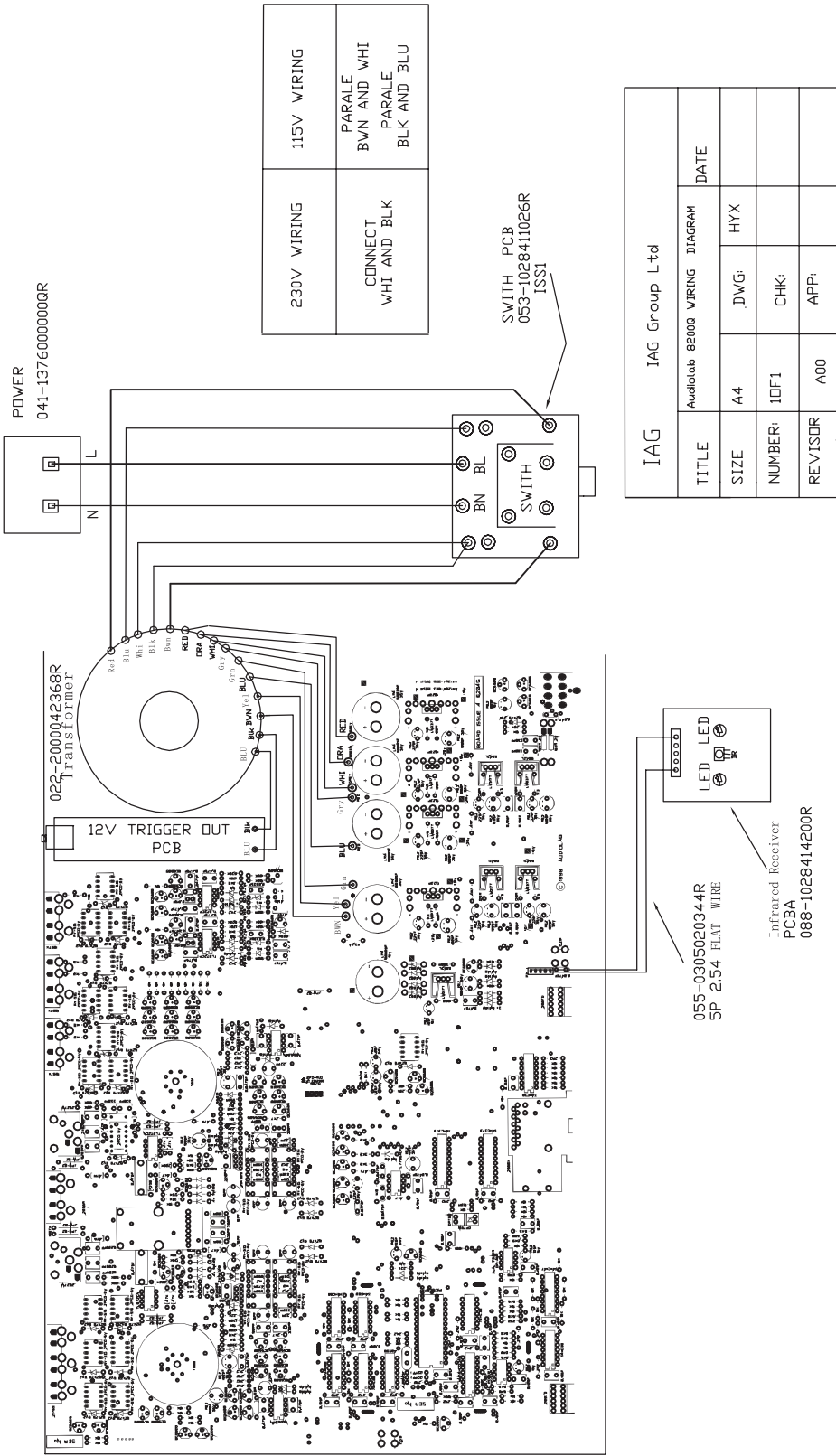
## 8200Q-12V Trigger Out Board-P1/1



IAG IAG Group LTD.			
BRAND:	Audieleb	ISSUE	
TITLE:	8200Q-12V-TRIGGER	DATE	
PRODUCT NAME:		REVISOR	
DESIGNER:		DATE	
DATE: 9-Feb-2010	SHEET: /	SIZE:	
FIG. NO:		DESCRIPTION OF CHANGE	
DWG. NO:			

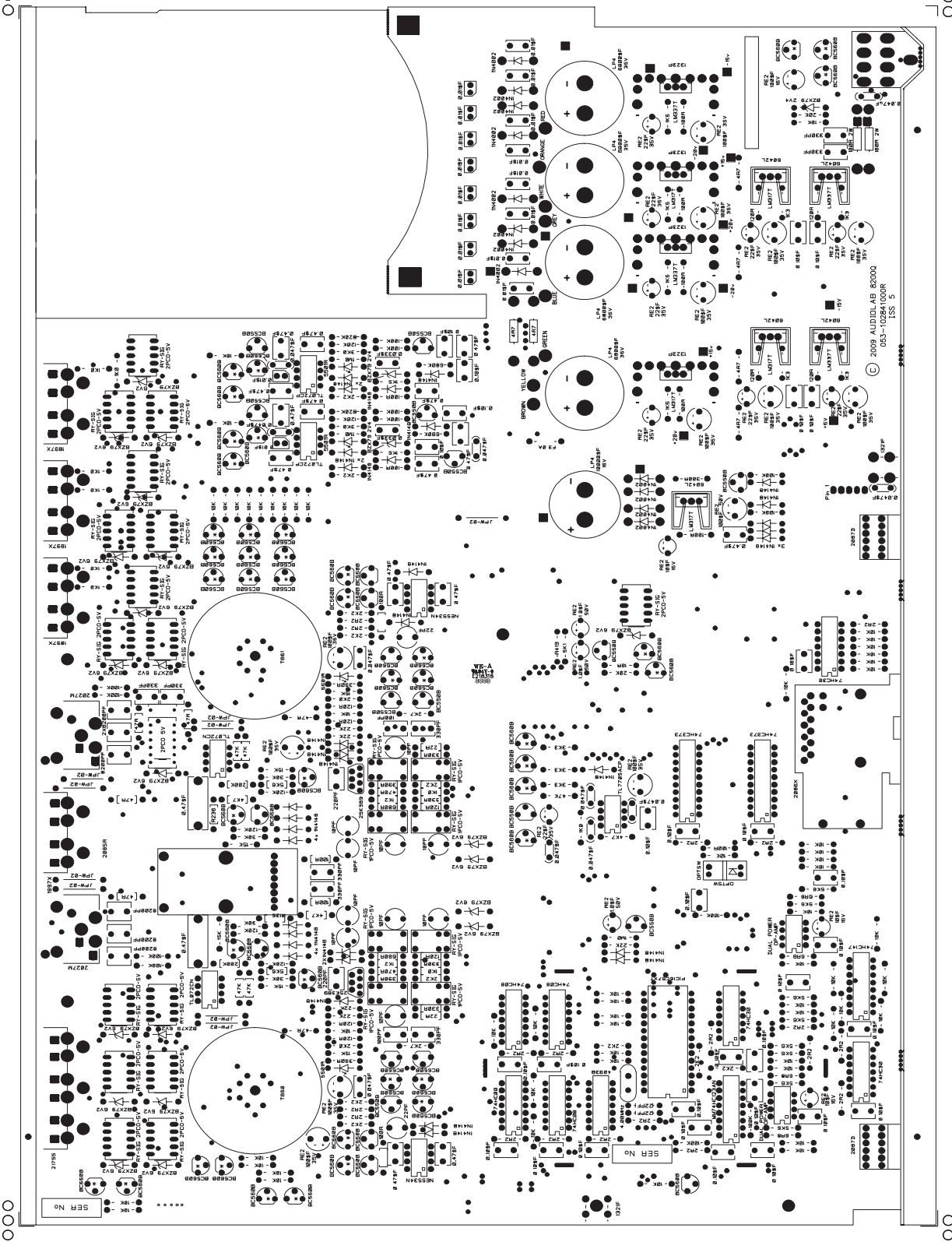
# WIRING DIAGRAM

8200Q-Wiring Diagram-P1/1



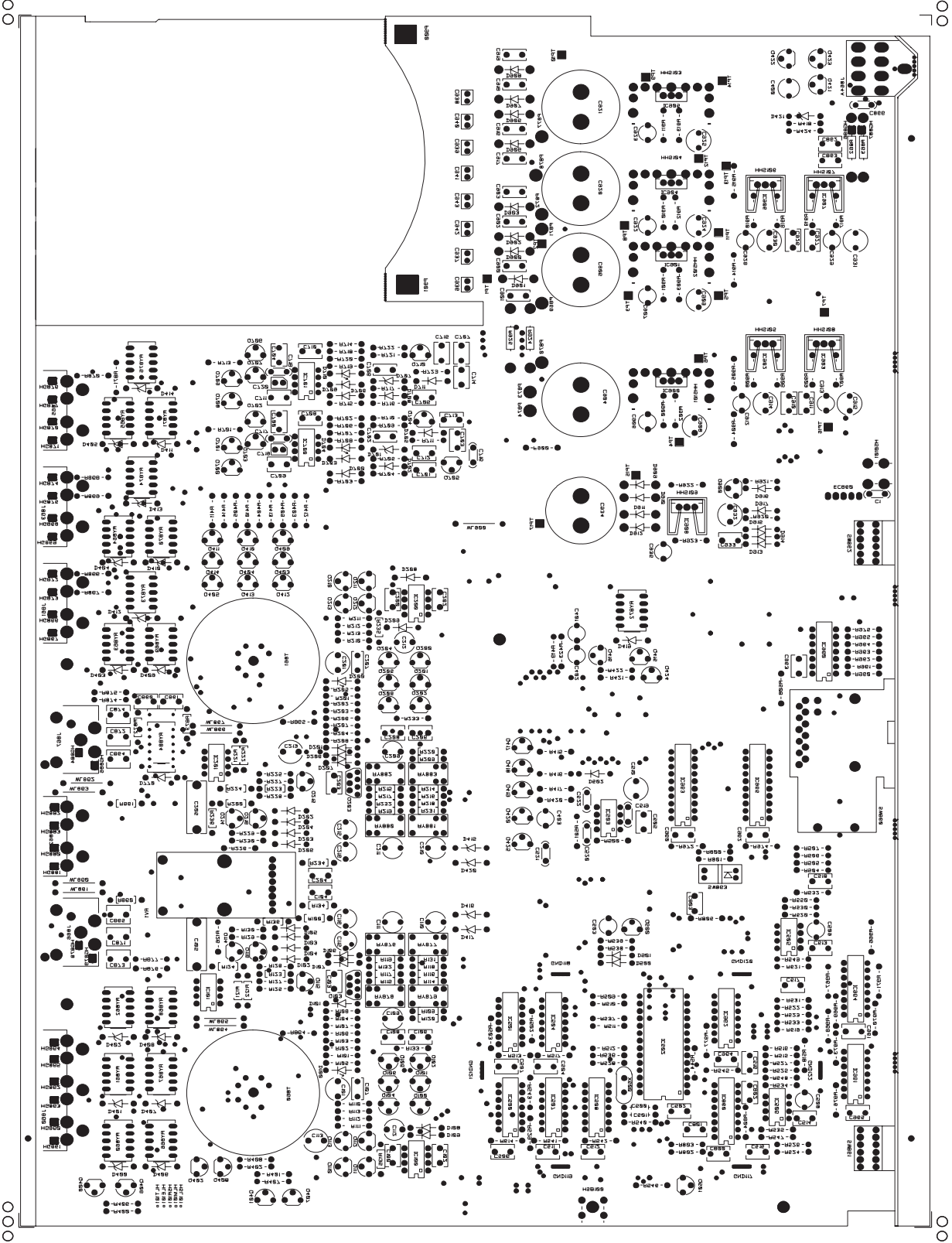
# SILKSCREEN OF TOP / BOTTOM

## 8200Q-MainBoard-Top Silkscreen-P1/2



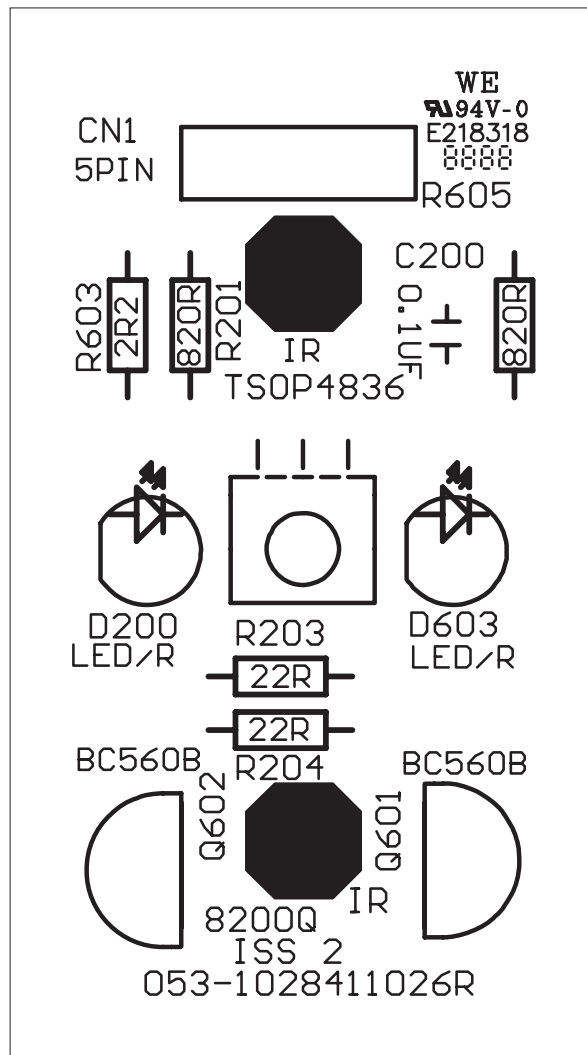
# SILKSCREEN OF TOP / BOTTOM

## 8200Q-MainBoard-Bottom Silkscreen-P2/2



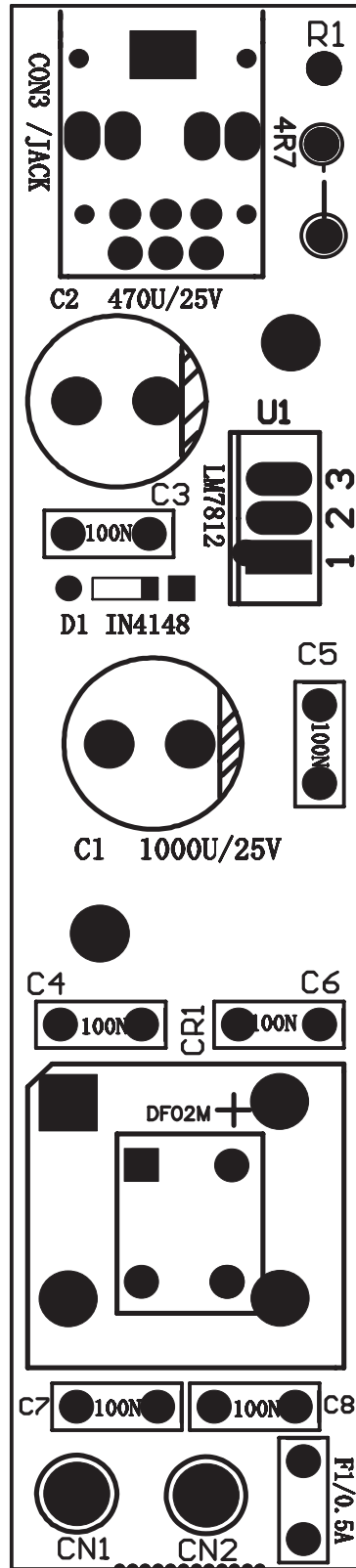
# SILKSCREEN OF TOP / BOTTOM

8200Q-IR Receiver-Silkscreen-P1/1




# SILKSCREEN OF TOP / BOTTOM

8200Q-12V Trigger Out Silkscreen-P1/1



# MAINTENANCE ALIGNMENT PROCEDURE

8200Q Ageing test step-P1/1

<b>Ageing test step</b>	<b>Equipment and Tools</b>										
<p>1: Equipment and Set up</p> <p>1):Set the "RECORD" and "INPUT" knob to CD. "GAIN" set to 0dB position. Volume set to Max.</p> <p>2: Ageing test</p> <p>1):Power ON the unit the "ON" LED will lit and the "PROTECT" LED also lit but will OFF after 5-10 second.</p> <p>2):Add 5% of AC input for the test.</p> <table border="1" style="margin-left: auto; margin-right: auto; border-collapse: collapse;"> <thead> <tr> <th style="padding: 2px;">unit rated voltage</th> <th style="padding: 2px;">variac voltage</th> </tr> </thead> <tbody> <tr> <td style="padding: 2px; text-align: center;">AC240V</td> <td style="padding: 2px; text-align: center;">AC250V±2%</td> </tr> <tr> <td style="padding: 2px; text-align: center;">AC220、 230V</td> <td style="padding: 2px; text-align: center;">AC240V±2%</td> </tr> <tr> <td style="padding: 2px; text-align: center;">AC110V</td> <td style="padding: 2px; text-align: center;">AC120V±2%</td> </tr> <tr> <td style="padding: 2px; text-align: center;">AC100V</td> <td style="padding: 2px; text-align: center;">AC110V±2%</td> </tr> </tbody> </table> <p>3:Soak test with the condition above with 48 hours.</p> <p>4. Check all the parameter within the spec.</p> <p><b>Notes:</b></p> <p>1.If the Bias Okay, switch off the unit and put "PASSED" mark on the unit.</p>	unit rated voltage	variac voltage	AC240V	AC250V±2%	AC220、 230V	AC240V±2%	AC110V	AC120V±2%	AC100V	AC110V±2%	<p>signal generator</p> <hr/> <p>multimeter</p> <hr/> <p>variac</p> <div style="text-align: right; margin-top: 20px;">  </div>
unit rated voltage	variac voltage										
AC240V	AC250V±2%										
AC220、 230V	AC240V±2%										
AC110V	AC120V±2%										
AC100V	AC110V±2%										



## ASSEMBLY PARTS LIST

8200Q-Assembly Bom-P1/2

R/N	P/N	PART NAME	DESCRIPTION	QTY
1	300-1028420000-1R	Front Panel	finish and anodized	1
2	215-1027410001R	Button Cap	painted	1
3	273-1028410000R	Display Window	39*18*3.5mm	1
4	340-1027410000-2R	Knob	painted	4
5	307-1027410000R	Knob Indicator	painted	4
6	574-3000800011R	Screw	M3X8 (BNI)	9
7	588-3000066037R	Screw	M3*6	15
8	215-1027410000R	Power Button	painted	1
9	305-1027410002R	Main Switch Bracket	painted	1
10	500-3050240300AR	Nut	M3 NI	6
11	263-0020100102R	EVA LUMP	20*10*10mm, EVA, with single 3M tape	1
12	534-3002061006R	Screw	M3*6	35
13	309-1028410002R	Main Chassis	painted and silkscreen	1
14	303-1028410000R	Bottom Cover	painted	1
15	226-0230191911R	Feet	black	4
16	319-1027410001R	Side Panel	sand blasting,anodized	2
17	801-0080030030R	Ground Terminal Cap	Φ8*Φ3*3mm	1
18	086-3811000000R	Ground Terminal	1821T098-00	1
19	521-3005060500AR	Washer	M3*5*0.6,Cu	4
20	588-3000106037R	Screw	M3*10	6
21	231-2096000102R	Rubber Washer	Φ96*1mm,black	1
22	368-1028410000R	Transformer Insulation Board	black	1
23	215-1027410002MR	Knob Cap	Φ37*3.2mm	4
24	513-6412150780R	Washer	Φ6.4XΦ12X1.5,NI	1
25	500-6000000300R	Nut	M6	1
26	305-1028410000R	Phono Bracket	painted	1
27	226-0080031911R	Feet Mainstay	Φ8.0*Φ3.7*19.0/material is PP, black	1
28	302-1020410000R	Top Cover	sand blasting,anodized silver/black	1
29	534-3002100606R	Screw	M3*10	11
30	219-1028410000R	Plastic Axes	M3, ABS,black	1
31	553-0030040000R	Screw	M3*4 NI	1
32	331-1028420000R	Knob Pole	Φ6.0 L=192mm	1
33	336-1027410000R	PCB Shield Cover	nickel plated	1
34	415-1027410000R	Shield Cover Sticker	104*60mm PVC	1
35	231-2013005012R	PVC Washer	Φ12.5*Φ4.5*0.1mm	5
36	205-1028410001R	Raster Bracket	Φ20*14.8mm、PP、black	1
37	231-1035020502R	Nylon Washer	35*20*5mm	1
38	537-3001121006R	Screw	M3*12	2

## ASSEMBLY PARTS LIST

8200Q-Assembly Bom-P2/2

R/N	P/N	PART NAME	DESCRIPTION	QTY
39	308-1028420000R	Metal Block	painted	1
40	524-3012100806R	Screw	M3*10	2
41	513-7212050300R	Washer	Φ12*Φ7.2*0.5*2mm	2
42	262-0500005010R	Dustproof Pad	5*50*0.25	16

Remark:Colour Difference Table

R/N	P/N	PART NAME	DESCRIPTION	QTY
1	300-1028420000-1R	Front Panel	screened, light grey(silver anodized)	1
	300-1028420001-1R		screened, light grey(black anodized)	1
2	215-1027410001R	Button Cap	silver painted,ABS757#	1
	215-1027420001R		black painted,ABS757#	1
4	340-1027410000-2R	Knob	silver painted	4
	340-1027420000-2R		black painted	4
5	307-1027410000R	Knob Indicator	silver painted,φ6.0 L=24MM	4
	307-1027420000R		black paintedφ6.0 L=24MM	4
8	215-1027410000R	Power Button	silver painted,ABS757#	1
	215-1027420000R		black painted,ABS757#	1
12	534-3002061006R	Screw	M3*6NI	35
	534-3002060906R		M3*6black	35
13	309-10284100002R	Main Chassis	silver painted	1
	309-1028410000-2R		black painted	1
14	303-1028410000R	Bottom Cover	silver painted	1
	303-1028420000R		black painted	1
16	319-1027410001R	Side Panel	sand blasting,anodized silver	2
	319-1027420001R		sand blasting,anodized black	2
20	588-3000106037R	Screw	M3*10NI	6
	527-3012100806R		M3*10black	6
26	305-1028410000R	Phono Bracket	silver painted	1
	305-1028410000R		black painted	1
28	302-1020410000R	Top Cover	sand blasting,anodized silver	1
	302-1020410001R		sand blasting,anodized black	1
29	534-3002100606R	Screw	M3*10NI	11
	534-3002100906R		M3*10black	11

## ELECTRONIC PARTS LIST

8200Q-Electronic Bom-P1/6

R/N	P/N	PART/NAME	DESCRIPTION	QYT	LOCATION
1	062-1220000200R	Mains Cable	2 meter American	1	
2	041-1376000000QR	Mains Switch	mains switch 2P SDDSA 3289A	1	
3	071-1100000000R	Tie Wrap	100MM YJ-100	12	
4	044-1700000000QR	Mains Inlet	mains inlet 2 POLE 2 fuse locs	1	
5	060-4180310312R	Double Insulated Wire	UL1672 18 AWG blue=310MM	1	
6	060-4180310112R	Double Insulated Wire	UL1672 18AWG BROMN L=310MM	1	
7	053-1374001104QR	PCB Main Switch	PCB MAINS SWITCH 200 SERIES	1	
8	085-0100000100R	PVC Tube	φ10mm	0.22	
9	742-3000000000R	Heat Sink	Φ30 GRAY	0.06	
10	742-3501000000R	Heat Sink	Φ35 BLACK	0.1	
11	022-2000042368R	Transformer	230V TOROID TI-103404	1	
12	031-2200527121HR	Fuse Tube	T1.6A/250V 213 5*20MM LITTELFUSE	2	
13	088-1028410000R	8200Q Mainboard	PCBA	1	
14	053-1028411000R	8200 Main Bare PCB	two layer 2OZ 407.7*294.6*2.0MM blue / white character	1	
15	060-3282500400R	Shield Cable	two way 2547 #2*28AWG	0.2	
16	001-4709205010QR	Resistor	4R7 1/4W 1%	4	R904.905.914.915
17	001-1000205010QR	Resistor	10R 1/4W 1%	1	R422
18	001-1001205010QR	Resistor	100R 1/4W 1%	8	R704.716.800.902.90 3.912.913.923
19	001-1201205010QR	Resistor	120R 1/4W 1%	8	R103.107.203.207.90 8.909.918.919
20	001-3001205010QR	Resistor	300R 1/4W 1%	1	R922
21	001-3901205010QR	Resistor	390R 1/4W 1%	4	R105.205.115.215
22	001-1002205010QR	Resistor	1K 1/4W 1%	7	R501.866-871
23	001-1302205010QR	Resistor	1K3 1/4W 1%	4	R906.907.916.917
24	001-1502205010QR	Resistor	1K5 1/4W 1%	6	R705.717.900.901.91 0.911
25	001-2002205010QR	Resistor	2K 1/4W 1%	2	R102.202
26	001-2202205010QR	Resistor	2K2 1/4W 1%	9	R110.111.210.211.51 2.514.545.703.715
27	001-2702205010QR	Resistor	2K7 1/4W 1%	2	R133.233
28	001-3002205010QR	Resistor	3K 1/4W 1%	2	R707.720
29	001-3302205010QR	Resistor	3K3 1/4W 1%	3	R415-417
30	001-4702205010QR	Resistor	4K7 1/4W 1%	1	R500
31	001-5102205010QR	Resistor	5K1 1/4W 1%	1	R423

## ELECTRONIC PARTS LIST

8200Q-Electronic Bom-P2/6

R/N	P/N	PART/NAME	DESCRIPTION	QYT	LOCATION
32	001-5602205010QR	Resistor	5K6 1/4W 1%	8	R515.516.530-535
33	001-1003205010QR	Resistor	10K 1/4W 1%	57	546.701.713.801.960 -971.R106.206.400- 414.424.502- 511.520- 529.536.537.543
34	001-1503205010QR	Resistor	15K 1/4W 1%	6	R101.125.126.201.22 5.226
35	001-2003205010QR	Resistor	20K 1/4W 1%	2	R418.421
36	001-2203205010QR	Resistor	22K 1/4W 1%	5	R104.108.204.208.53 8
37	001-3003205010QR	Resistor	30K 1/4W 1%	4	R127.130.227.230
38	001-1004205010QR	Resistor	100K 1/4W 1%	9	R709.710.721.722.80 3-805.920.921
39	001-1204205010QR	Resistor	120K 1/4W 1%	6	R128.129.228.229.70 6.718
40	001-6804205010QR	Resistor	680K 1/4W 1%	2	R711.723
41	001-8204205010QR	Resistor	820K 1/4W 1%	2	R702.714
42	001-1005205010QR	Resistor	1M 1/4W 1%	3	R539.708.719
43	001-6809205010QR	Resistor	6R8 1/4W 1%	4	R547-550
44	001-1001308050QR	Resistor	100R 2W 5%	2	R862.863
45	001-2200405010QR	Resistor	22R 1/4W 1%	2	R120.220
46	001-4700405010QR	Resistor	47R 0.25W 1%	4	R860.861.872.873
47	001-1201405010QR	Resistor	120R 1/4W 1%	2	R131.231
48	001-3301405010QR	Resistor	330R 0.25W 1%	4	R109.118.209.218
49	001-4701405010QR	Resistor	470R 1/4W 1%	2	R117.217
50	001-6801405010QR	Resistor	680R 0.25W 1%	2	R119.219
51	001-1002405010QR	Resistor	1k0 1/4W 1%	2	R116.216
52	001-1202405010QR	Resistor	1K21 1% 0.25W CMF55 T-9	2	R132.232
53	001-2202405010QR	Resistor	2k2 1/4W 1%	2	R114.214
54	001-4702405010QR	Resistor	4k7 0.25W 1%	2	R100.200
55	001-5602405010QR	Resistor	5k6 0.25W 1%	2	R123.223
56	001-4703405010QR	Resistor	47k 1/4W 1%	4	R121.122.221.222
57	001-2004405010QR	Resistor	200k 1/4W 1%	2	R124.224
58	001-1001405010QR	Resistor	100R 0.25W 1%	2	R134.234
59	001-0000105050QR	Resistor	0R 1/4W 5%	5	WL860-863.900
60	006-6824253553QR	Electrolytic Cap	CAP 6800U 20% 35V LA5 ELNA	4	C904.905.920.921
61	016-3311132201QR	Polypropylene Cap	330P 2.5% 100V FKP2 WIMA	8	C104.106.204.206.86 0-863
62	836-2200005005QR	Cap (Round Type)	22P 10% 50V POLYPROPYLENE	2	C500.501
63	009-1031008110QR	Cap	10NF/100V 20%	10	C719.720.936-943

# ELECTRONIC PARTS LIST

8200Q-Electronic Bom-P3/6

R/N	P/N	PART/NAME	DESCRIPTION	QTY	LOCATION
64	008-4703002517QR	Cap	0U047 +80/-20% 25V 5YF	9	C1.519-522.716-718.866
65	017-4180000000QR	IC	TL7705ACP 5V SUPERVISOR DIP8 TI	1	IC503
66	017-4150000000QR	IC	SN74HC00N 4X 2-IN NAND 14PIN TI	1	IC500
67	017-4160000000QR	IC	74HC08 DIP14 TI	3	IC501,504,507
68	017-4170000000QR	IC	IC 74HC30N 8-IN NAND philips	3	IC960-962
69	017-4140000000QR	IC	74HC373N OCT3-ST PHILIPS 20PIN	2	IC963.965
70	017-1380000000R	IC	LM317T(1.5A) TO-220 (ST)	5	IC900.902.904.906.908
71	017-4590000000QR	IC	IC NE5534P TI OP-AMP 8PIN DIL	2	IC100.200
72	017-4600000000QR	IC	IC HEF4093BP 14PIN DIL Philips	1	IC508
73	017-4610000000QR	IC	IC 74HC123N,652 philips 16PIN DIL	1	IC860
74	017-4620000000QR	IC	74HC147N ENCODER 16PIN philips	1	IC964
75	017-4630000000QR	IC	L272M DIP8 ST	2	IC505.506
76	017-1390000000R	IC	LM337T(1.5A) TO-220 Fairchild	4	IC901.903.905.907
77	024-1050101017R	Relay	TQ2-5V MATSUSHITA	17	RY860-875.884
78	024-1050101026QR	Relay	G5V-1 5DC SIGNAL 1PCO 5V OMRON	8	RY876-883
79	067-1104148000R	Diode	IN4148	34	709.711.913-917
80	067-2204002000R	Diode	IN4002	12	D900-903.905-912
81	067-3307924900QR	Zener Diode	BZX79C 2V4	3	D421.701.707
82	067-3379629000QR	Zener Diode	DIODE BZX79C 6V2 ZENER TC	21	D400-417.419.420.770
83	029-0800000000QR	Crystal	CER CSA400MG RESONATOR	1	X500
84	089-1100000012QR	Six Way Switch	SWITCH MOTORISED SRBAA2603A	1	SW860
85	069-0700000000QR	Grid Switch	SG23FI	1	SW863
86	031-1100409110R	Ceramic Fuse	3.6*10 F3.0A 250V	1	F900
87	001-0470308050R	Resistor	metal film 4.7Ω 2W J	2	R924.925
88	349-1006000011R	Ground Barcket	PCB-2	1	1321F
89	058-2842000000R	IC Socket	DIP 28PIN pitch:2.54MM round hole	1	IC502
90	013-1010310507R	Cap FKP2	100pF 100V 5%	4	C103.108.203.208
91	018-0500369115R	Effect Transistor	2SK369GR TO-92 TOSHIBA	4	Q103.Q203. ("matched pairs")
92	044-2910000000R	Phone Jack	AST-6.35-006B	1	J864
93	017-4200000000QR	IC	IC PIC16C57-XT/P 8-BIT 28PIN MICROCHIP	1	IC502

## ELECTRONIC PARTS LIST

8200Q-Electronic Bom-P4/6

R/N	P/N	PART/NAME	DESCRIPTION	QYT	LOCATION
94	019-0011022000QR	LED	LED/ RED	4	D100.D200.D704.D710
95	001-4703205010QR	Resistor	47K 1/4W 1%	3	R420.R122.R222
96	016-4742100001R	Polypropylene Cap	CAP 0U47 5% 250V MKP4 WIMA 15PCM	2	C105.205
97	051-6100000001R	SOCKET	2PIN RED /WHITE T6302-AABF NE	1	J860/right
98	013-8220210505R	Cap	8200P 5% 63V WIMA PH5MM	2	C864.865
99	223-0414210201R	Plastic Post	WHITE ABS PW-6 hight:2mm; inner diameter:1.4mm; outside diameter:4mm	2	X500
100	016-0141100001R	Polypropylene Cap	0U01 5% 100V MKS2 WIMA PH5MM	8	C900-903.916-919
101	016-4740810001R	Polypropylene Cap	0U47 10% 63V MKS2 WIMA PH5MM	15	C100.102.200.202.700.701.703-705.707-711.933
102	016-3331100001R	Polypropylene Cap	0U033 5% 100V MKS2 WIMA PH5MM	2	C702.706
103	016-4731100001R	Polypropylene Cap	CAP 0U047 5% 100V MKS2 PH5MM	2	C107.207
104	016-1041100001R	Polypropylene Cap	0U1 5% 100V MKS2 wima ph5mm	31	C502.504-507.511-518.712-715.800-803.910.911.926.927.960-965
105	006-1004051133HR	Electrolytic Cap	ELNA 10U 20% 16V RE3-16V100ME3 5*11mm	3	C508.509.935
106	006-2204051153HR	Electrolytic Cap	ELNA 22U 20% 35V RE3-35V220ME3 5*11mm	9	C403.906.907.912.913.922.923.928.929
107	006-1014162552QR	Electrolytic Cap	ELNA RE3-35V-101M F3 100UF 35V	14	C101.113.201.213.510.908.909.914.915.924.925.930.931.C400
108	006-1094051163HR	Electrolytic Cap	1U0 20% 50V ELNA RE3-50V010ME3 5*11mm	3	C401.402.503
109	006-1014081163HR	Electrolytic Cap	ELNA100U 20% 50V RE3-50V101MG3 8*11.5mm	1	C932
110	006-1034223543HR	Electrolytic Cap	10000uf 20% 25V ELNA LA5-25V103MS24 22*35mm	1	C934
111	017-1227000000R	IC	TL072BCN DIP8 ST	2	IC700.IC701
112	050-0400000000R	Transistor Clip	DIMENSION 10*6MM BLACK TR-1	5	IC900.902.904.906.908

## ELECTRONIC PARTS LIST

8200Q-Electronic Bom-P5/6

R/N	P/N	PART/NAME	DESCRIPTION	QYT	LOCATION
113	013-4730320504QR	Cap	CAP 47000P 20% 100V X7R CER	2	
114	306-1027410003R	Heat Sink	anodized,black	2	
115	306-1027410001R	Heat Sink 1	anodized,black	4	
116	537-3001060806R	Screw	M3*6	9	radiator1-4,radiator2-5
117	016-1001120001R	Polypropylene Cap	10P 20% 100V P=5MM L=11MM	10	C109-111.115.116.209-211.215.216
118	016-2201120001R	Polypropylene Cap	22P 20% 100V P=5MM L=13MM	2	C112.212
119	017-1276000000R	IC	OPA2134PA 2X OP AMP DIP 8PIN TI	2	IC101.IC201
120	057-2541201061R	Single Header	6pin 2.54mm	2	6switch board
121	055-0305020344R	Flat Wire	5P L=200MM UL2468 26AWG	1	J1
122	056-4105221100R	Connector	DJ2802-05	2	EC860,SW862
123	020-2031321123HR	Motor Potentiometer	20K ALPS RK16812MG AX 916X	1	VR100
124	001-2209205010QR	Resistor	2R2 1/4W 1%	19	R112,113.212.213.51 3.514.517-519.540-542.802,R972-979
125	306-1027410002R	Heat Sink2	anodized, black	4	IC902.903,906,907
126	306-1119000002R	Heat Sink	TV5	1	IC908
127	089-1400000020-1R	Six Way Switch	shaft length 20MM Ø6MM SR10010F-0106-20ROA-C7-N ALPHA	2	SW861,VR1
128	051-1006334035-1R	SOCKET	SOCKET 4WAY PHONO GOLD PLATED T6288-AABF up white/down red	5	J860-863.865
129	018-1400550115-1R	Transistor	BC550B NPN TO-92 FAIRCHILD	22	416.420.500.501.702.704-706.710.900.Q102.104.106.111.112.116.202.204.206.211.212.216
130	018-1400560115-1R	Transistor	BC560B PNP TO-92 FAIRCHILD	44	Q400-415.417-419.421-425.700.701.703.707.709.Q100.101.105.110.113-115.200.201.205.210.213-215

## ELECTRONIC PARTS LIST

8200Q-Electronic Bom-P6/6

R/N	P/N	PART/NAME	DESCRIPTION	QYT	LOCATION
131	088-1028414200R	8200 IR Receiver Board	IR PCBA	1	
132	053-1028411026R	8200Q IR PCB ISS2	single layer,54*28*1.6MM,FR4 20Z blue	1	
133	019-0011022000QR	LED	LED /RED	2	D200.D603
134	055-0305020344R	FLAT WIRE	5P L=200MM UL2468 26AWG	1	CN1
135	052-2100000000R	Infrared Receiver	TSOP4836	1	IR
136	009-1040508110R	Cap	100nF 50V 20%	1	C200
137	001-2200205010QR	Resistor	22R 1/4W 1%	2	R203.204
138	001-2209205010QR	Resistor	2R2 1/4W 1%	1	R603
139	001-8201205010QR	Resistor	820R 1/4W 1%	2	R605.R201
140	223-0532220301R	Plastic Post	3-3	2	D200,D603
141	018-1400550115-1R	Transistor	BC550B NPN TO-92 FAIRCHILD	2	Q602.Q601
142	088-1028413800R	8200Q 12 Output Board	Trigger12V OUT PCBA	1	
143	006-1024102053QR	Electrolytic Cap	CAP 1000U 20% 35V RE2-F	1	C1
144	006-4711081643R	Electrolytic Cap	470uF 25V 10% 10*20mm	1	C2
145	016-1041100001R	Polypropylene Cap	0U1 5% 100V MKS2 wima ph5mm	6	C4-C8
146	067-1104148000R	DIODE	IN4148	1	D1
147	079-0501000000R	PCT RESETTABLE FUSES	RXE050	1	F1
148	001-0470308050R	Resistor	metal film 4.7Ω 2W J	1	R1



audiolab

UK: IAG House, Sovereign Court, Ermine Business Park, Huntingdon, Cambs, PE29 6XU, UK  
UK : Tel: + 44 (0) 1480 447700. Fax: + 44 (0) 1480 431767, [www.audiolab.co.uk](http://www.audiolab.co.uk)  
CHINA: Sanecore Industrial Park, Jiuwei, Xixiang, Shenzhen, China 518102  
CHINA: Tel: + 86-755-2748-4420. Fax: + 86-755-2965-1484  
The information in this service manual is subject to change without notice.  
All rights reserved © IAG Group Ltd. Audiolab is a member of the IAG Group.