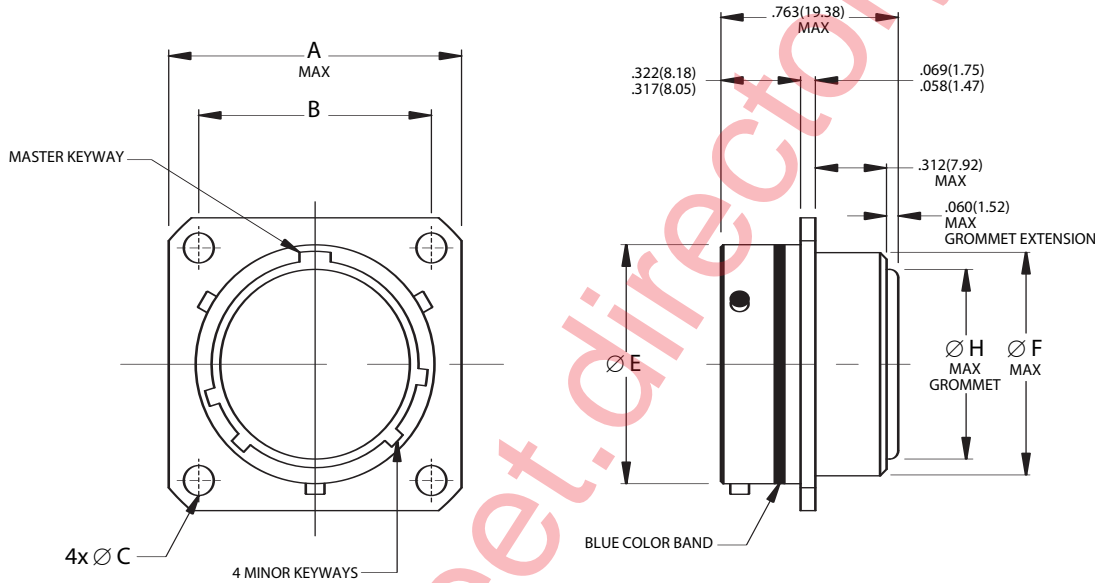




Bayonet Coupling, Crimp Removable, Rear Release, Low Profile/Light Weight



MIL-DTL-38999 S II

| | |
|--------------|---|
| Page 22 | Completed Part Number |
| Page 34 | Contacts, Sealing Plugs and Tools |
| Pages 17–19 | Insert Arrangements |
| Page 21 | Performance Specifications |
| Pages 15, 16 | Insert Availability and Contact Information |
| Page 32 | Polarization |

| Shell Size | A | | B | | Ø C | | Ø E | | Ø F | | Ø H | |
|------------|---------|-------|-------|-------|-------|-------|--------|-------|---------|-------|---------|-------|
| | Maximum | | (TP) | | +0.10 | +0.25 | ±0.003 | ±0.08 | Maximum | | Maximum | |
| | inch | mm | inch | mm | inch | mm | inch | mm | inch | mm | inch | mm |
| 8 | .828 | 21.03 | .594 | 15.09 | .120 | 3.05 | .471 | 11.96 | .453 | 11.51 | .299 | 7.59 |
| 10 | .954 | 24.23 | .719 | 18.26 | .120 | 3.05 | .588 | 14.94 | .578 | 14.68 | .427 | 10.85 |
| 12 | 1.047 | 26.59 | .812 | 20.62 | .120 | 3.05 | .748 | 19.00 | .703 | 17.86 | .541 | 13.74 |
| 14 | 1.141 | 28.98 | .906 | 23.01 | .120 | 3.05 | .873 | 22.17 | .828 | 21.03 | .666 | 16.92 |
| 16 | 1.234 | 31.34 | .969 | 24.61 | .120 | 3.05 | .998 | 25.35 | .953 | 24.21 | .791 | 20.09 |
| 18 | 1.328 | 33.73 | 1.062 | 26.97 | .120 | 3.05 | 1.123 | 28.52 | 1.062 | 26.97 | .897 | 22.78 |
| 20 | 1.453 | 36.91 | 1.156 | 29.36 | .120 | 3.05 | 1.248 | 31.70 | 1.188 | 30.18 | 1.022 | 25.96 |
| 22 | 1.578 | 40.08 | 1.250 | 31.75 | .120 | 3.05 | 1.373 | 34.87 | 1.312 | 33.32 | 1.147 | 29.13 |
| 24 | 1.703 | 43.26 | 1.375 | 34.93 | .147 | 3.73 | 1.498 | 38.05 | 1.438 | 36.53 | 1.272 | 32.31 |