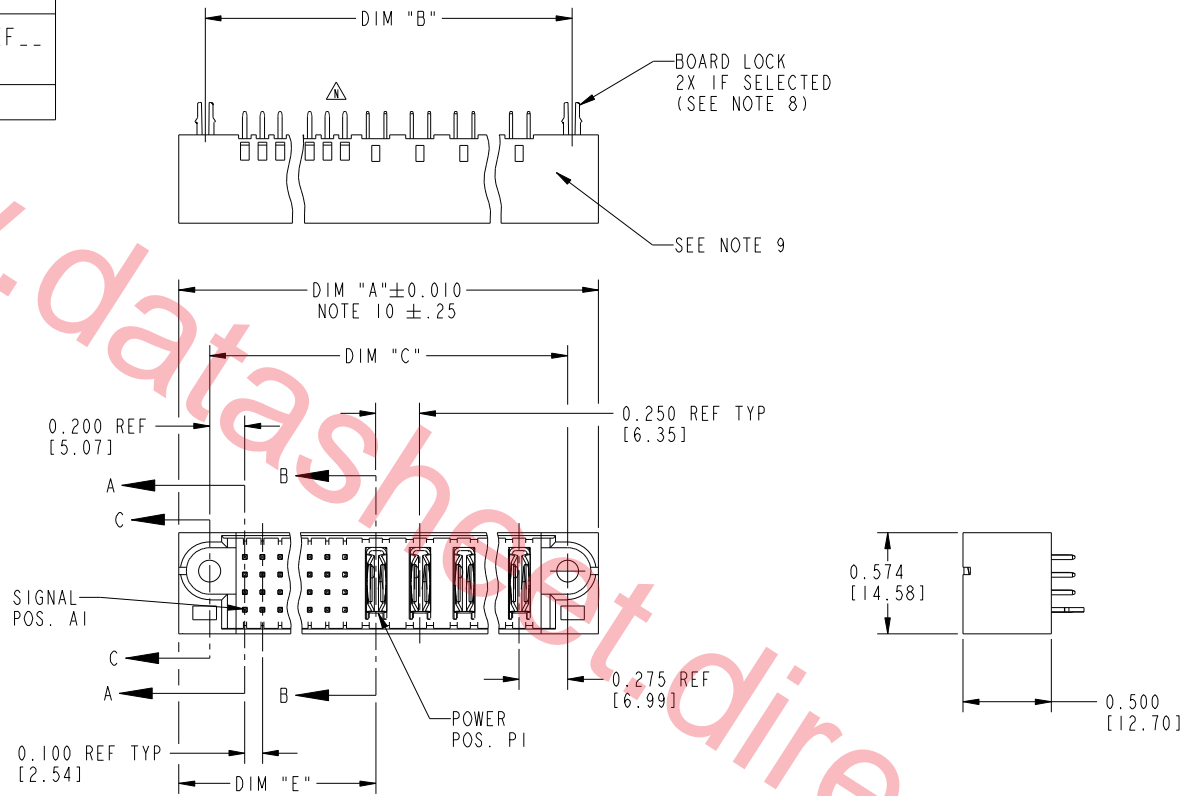


Tous droits strictement reserves. Reproduction ou communication a des tiers interdite sous quelque forme que ce soit sans autorisation écrite du propriétaire. Propriete de c FCI. Droits de reproduction FCI.



All rights strictly reserved. Reproduction or issue to third parties in any form whatever is not permitted without written authority from the proprietor. Property of FCI. Copyright FCI.

PRODUCT NUMBER
51701-A00CCDDEF--
Note: ①
SEE NOTE 1



mat'l code				SEE NOTE 2		tolerances unless otherwise specified		CUSTOMER		FCI	
ltr	ecn no.	dr	date	linear	.XX±.01/0.X±0.3	projection		COPY		www.fciconnect.com	
J	DG05-0132	SJ	05/30/05		.XXX±.005/0.XX±0.13	INCH/MM		title		VERTICAL HEADER w/ GUIDE PIN	
K	DG06-0505	CS	01/13/05	angles	.XXX±.0020/.XXX±.051	scale		product family		PWRBLADE	
L	DG08-0239	JC	09/11/08	chr	0°±2°	1:1		size		213	
M	DG09-0231	JW	07/14/09	appr		A		dwg no		51701	
N	DG10-0078	AL	02/23/10					sheet		1 of 3	
sheet index		revision sheet		N	N	N					
		I 2		3							

cage code 22526

Pro/E

Tous droits strictement réservés. Reproduction ou communication à des tiers interdite sous quelque forme que ce soit sans autorisation écrite du propriétaire. Propriété de c FCI. Droits de reproduction FCI.

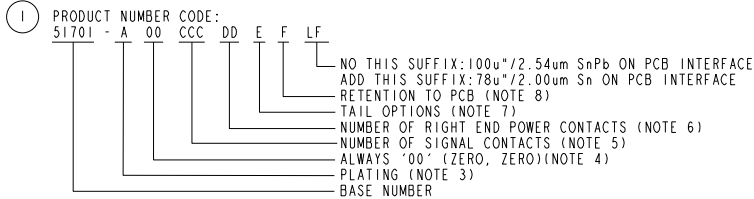


All rights strictly reserved. Reproduction or issue to third parties in any form whatever is not permitted without written authority from the proprietor. Property of FCI. Copyright FCI.

PRODUCT NUMBER
51701-A00CCDDEF_-- Note: ①
SEE NOTE 1

DIM	LENGTH FORMULAS (SEE NOTE 10)
DIM "A"	.100 [2.54] x (CCC/4) + .250 [6.35] x DD + .650 [16.51] (NOTE 10)
DIM "B"	.100 [2.54] x (CCC/4) + .250 [6.35] x DD + .350 [8.89]
DIM "C"	.100 [2.54] x (CCC/4) + .250 [6.35] x DD + .300 [7.62]
DIM "E"	.100 [2.54] x (CCC/4) + .450 [11.43]
DIM "F"	.100 [2.54] x (CCC/4) + .250 [6.35] x DD + .680 [17.27]
DIM "H"	.100 [2.54] x (CCC/4) + .250 [6.35]

CONNECTOR NOTES



- ② HOUSING MATERIAL: UL94 V-0 GLASS FILLED HIGH TEMP THERMO PLASTIC.
SIGNAL CONTACT MATERIAL: COPPER ALLOY
POWER CONTACT MATERIAL: COPPER ALLOY
- ③ PLATING OPTION:
1=SEE PRINT 10064183 FOR PLATING SPEC OF 51701-100CCDDEF; 51701-100CCDDEF_LF
- ④ THIS PART NOT AVAILABLE WITH LEFT SIDE POWER CONTACTS.
- ⑤ SIGNAL CONTACT, 004 TO 148 AVAILABLE.
- ⑥ RIGHT END POWER CONTACTS, 01 - 20 AVAILABLE.
- ⑦ TAIL OPTIONS:
A = 0.135 +0.015/-0.010 [3.43 +.38/- .25] SOLDER TO BOARD
B = 0.165 +0.015/-0.010 [4.19 +.38/- .25] SOLDER TO BOARD
C = 0.165 +0.015/-0.010 [4.19 +.38/- .25] PRESS FIT
- ⑧ RETENTION TO PCB OPTIONS:
A = BOARD LOCK (REQUIRES 0.098 = .002/- .001 [2.49 +0.05/-0.03] THRU HOLE IN PCB). (NOT AVAILABLE WITH PRESS FIT)
C = NO RETENTION FEATURE (ALL PRESS FIT).

- ⑨ MANUFACTURE'S NAME, P/N, AND DATE CODE TO APPEAR ON THIS SURFACE.
 - 10. THE MAXIMUM OVERALL LENGTH (DIM A) OF A PART IS 8.00 [203.2]
 - 11. PRODUCT SPECIFICATION GS-12-149
 - 12. SEE PWRBLADE VERTICAL HEADER SPECIAL WORKSHEET (51696) FOR MATING LENGTH OPTIONS.
 - ⑬ DIMENSIONS AND TOLERANCES ARE IN ACCORDANCE WITH ASME Y14.5M, 1994 UNLESS OTHERWISE SPECIFIED.
- PCB NOTES:
- 14. ALL DIMENSIONS ARE BASIC UNLESS OTHERWISE SPECIFIED.
 - 15. ALL THROUGH HOLES ARE LOCATED WITH A TRUE POSITION OF 0.004 [0.10]
 - 16. ALL HOLE DIAMETERS ARE FINISHED HOLE SIZE.
 - 17. Ø0.098 [2.49] THROUGH HOLES ARE UNPLATED
 - 18. Ø0.0453 ±0.0010 [1.151 ±0.025] DRILLED HOLES PLATED WITH 0.0003 [0.008] MIN SnPb OVER 0.001 [0.03] TO 0.003 [0.08] Cu PLATING TO ACHIEVE A Ø0.040±0.003 [1.02±0.07] HOLE.
 - 19. FOR PRESS FIT APPLICATION USE FCI CAM TOOL 430169-XXX.
 - 20. A Δ SYMBOL WILL BE NEXT TO ANY DIMENSION, VIEW, OR NOTE WHICH HAS BEEN MODIFIED WITH THE CURRENT DRAWING REVISION.

mat'l code		SEE NOTE 2		tolerances unless otherwise specified		CUSTOMER		FCI		www.fciconnect.com	
ltr	ecn no.	dr	date	linear	.XX±.01/0.X±0.3	projection	COPY	title			
N				angles	.XXX±.005/0.XX±0.13			VERTICAL HEADER w/ GUIDE PIN SIGNAL / POWER			
				dr	.XXX±.0020/.XXX±.051		product family	PWRBLADE	code	213	
				enr	0°±2°	scale	size	dwg no	sheet	2	
				chr	JR	1:1	A	51701			
				appd	J.ALLISON						
sheet index	revision sheet										

cage code 22526

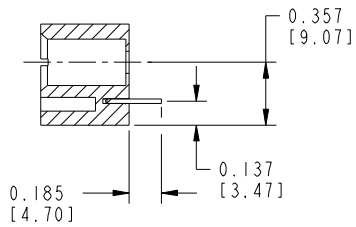
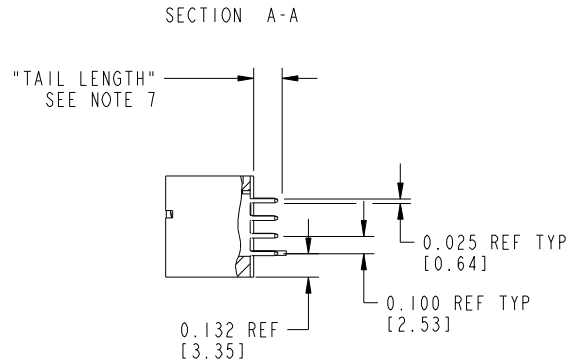
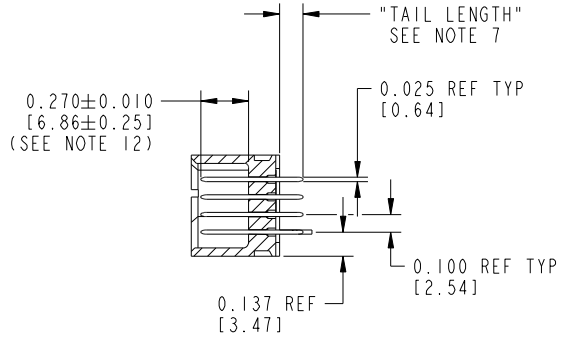
Pro/E

Tous droits strictement réservés. Reproduction ou communication à des tiers interdite sous quelque forme que ce soit sans autorisation écrite du propriétaire. Propriété de c.FCI. Droits de reproduction FCI.

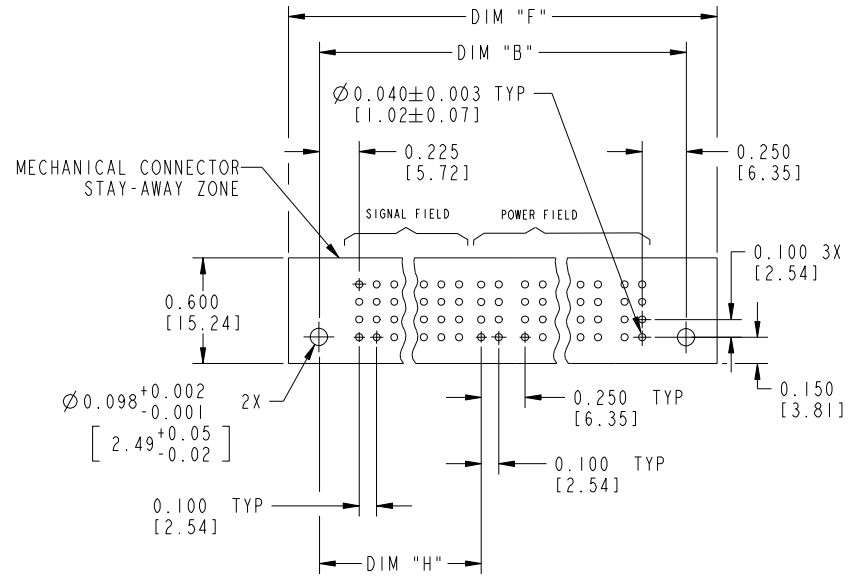


All rights strictly reserved. Reproduction or issue to third parties in any form whatever is not permitted without written authority from the proprietor. Property of FCI. Copyright FCI.

PRODUCT NUMBER
51701-A00CCDDEF_..
Note: ①
SEE NOTE 1



SECTION C-C



RECOMMENDED PCB LAYOUT

mat'l code				SEE NOTE 2		tolerances unless otherwise specified		CUSTOMER		 www.fciconnect.com	
ltr	ecn no.	dr	date	linear	.XX±.01/.X±0.3		COPY		title VERTICAL HEADER w/ GUIDE PIN SIGNAL / POWER		
N					.XXX±.005/.XX±0.13		projection				
					.XXX±.0020/.XXX±.051						
				angles	0°±2°		 INCH/MM		product family		code
				dr	JRW	10-15-01	scale		PWRBLADE		213
				enr	J.ALLISON	10-15-01	1:1		size		sheet
				chr	J.ALLISON	10-15-01	A		dwg no		3
				appd	J.ALLISON	10-15-01	51701		51701		
sheet index	revision sheet										

Pro/E

cage code 22526