

# MC1458, C

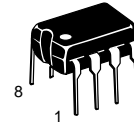
## Internally Compensated, High Performance Dual Operational Amplifiers

The MC1458, C was designed for use as a summing amplifier, integrator, or amplifier with operating characteristics as a function of the external feedback components.

- No Frequency Compensation Required
- Short Circuit Protection
- Wide Common Mode and Differential Voltage Ranges
- Low Power Consumption
- No Latch-Up

### DUAL OPERATIONAL AMPLIFIERS (DUAL MC1741)

#### SEMICONDUCTOR TECHNICAL DATA



**P1 SUFFIX**  
PLASTIC PACKAGE  
CASE 626



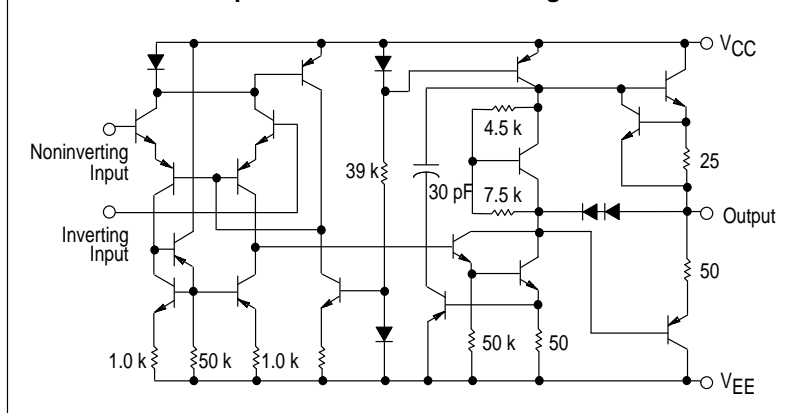
**D SUFFIX**  
PLASTIC PACKAGE  
CASE 751  
(SO-8)

#### MAXIMUM RATINGS ( $T_A = +25^\circ\text{C}$ , unless otherwise noted.)

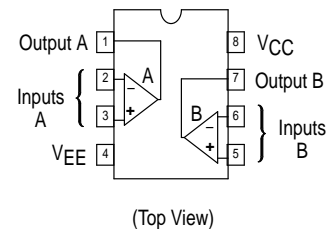
Rating	Symbol	Value	Unit
Power Supply Voltage	$V_{CC}$ $V_{EE}$	+18 -18	Vdc
Input Differential Voltage	$V_{ID}$	$\pm 30$	V
Input Common Mode Voltage (Note 1)	$V_{ICM}$	$\pm 15$	V
Output Short Circuit Duration (Note 2)	$t_{SC}$	Continuous	
Operating Ambient Temperature Range	$T_A$	0 to +70	$^\circ\text{C}$
Storage Temperature Range	$T_{stg}$	-55 to +125	$^\circ\text{C}$
Junction Temperature	$T_J$	150	$^\circ\text{C}$

**NOTES:** 1. For supply voltages less than  $\pm 15$  V, the absolute maximum input voltage is equal to the supply voltage.  
2. Supply voltage equal to or less than 15 V.

#### Representative Schematic Diagram



#### PIN CONNECTIONS



#### ORDERING INFORMATION

Device	Operating Temperature Range	Package
MC1458CD, D	$T_A = 0^\circ$ to $+70^\circ\text{C}$	SO-8
MC1458CP1, P1		Plastic DIP

# MC1458, C

## ELECTRICAL CHARACTERISTICS ( $V_{CC} = +15\text{ V}$ , $V_{EE} = -15\text{ V}$ , $T_A = 25^\circ\text{C}$ , unless otherwise noted. (Note 3))

Characteristic	Symbol	MC1458			MC1458C			Unit
		Min	Typ	Max	Min	Typ	Max	
Input Offset Voltage ( $R_S \leq 10\text{ k}$ )	$V_{IO}$	–	2.0	6.0	–	2.0	1.0	mV
Input Offset Current	$I_{IO}$	–	20	200	–	20	300	nA
Input Bias Current	$I_{IB}$	–	80	500	–	80	700	nA
Input Resistance	$r_i$	0.3	2.0	–	–	2.0	–	M $\Omega$
Input Capacitance	$C_i$	–	1.4	–	–	1.4	–	pF
Offset Voltage Adjustment Range	$V_{IOR}$	–	$\pm 15$	–	–	$\pm 15$	–	mV
Common Mode Input Voltage Range	$V_{ICR}$	$\pm 12$	$\pm 13$	–	$\pm 11$	$\pm 13$	–	V
Large Signal Voltage Gain ( $V_O = \pm 10\text{ V}$ , $R_L = 2.0\text{ k}$ ) ( $V_O = \pm 10\text{ V}$ , $R_L = 10\text{ k}$ )	$A_{VOL}$	20 –	200 –	– –	– 20	– 200	– –	V/mV
Output Resistance	$r_o$	–	75	–	–	75	–	$\Omega$
Common Mode Rejection ( $R_S \leq 10\text{ k}$ )	CMR	70	90	–	60	90	–	dB
Supply Voltage Rejection ( $R_S \leq 10\text{ k}$ )	PSR	–	30	150	–	30	–	$\mu\text{V/V}$
Output Voltage Swing ( $R_S \leq 10\text{ k}$ ) ( $R_S \leq 2.0\text{ k}$ )	$V_O$	$\pm 12$ $\pm 10$	$\pm 14$ $\pm 13$	– –	$\pm 11$ $\pm 9.0$	$\pm 14$ $\pm 13$	– –	V
Output Short Circuit Current	$I_{SC}$	–	20	–	–	20	–	mA
Supply Currents (Both Amplifiers)	$I_D$	–	2.3	5.6	–	2.3	8.0	mA
Power Consumption	$P_C$	–	70	170	–	70	240	mW
Transient Response (Unity Gain) ( $V_I = 20\text{ mV}$ , $R_L \geq 2.0\text{ k}\Omega$ , $C_L \leq 100\text{ pF}$ ) Rise Time ( $V_I = 20\text{ mV}$ , $R_L \geq 2.0\text{ k}\Omega$ , $C_L \leq 100\text{ pF}$ ) Overshoot ( $V_I = 10\text{ V}$ , $R_L \geq 2.0\text{ k}\Omega$ , $C_L \leq 100\text{ pF}$ ) Slew Rate	$t_{RLH}$ os SR	– – –	0.3 15 0.5	– – –	– – –	0.3 15 0.5	– – –	$\mu\text{s}$ % V/ $\mu\text{s}$

## ELECTRICAL CHARACTERISTICS ( $V_{CC} = +15\text{ V}$ , $V_{EE} = -15\text{ V}$ , $T_A = T_{\text{high}}$ to $T_{\text{low}}$ , unless otherwise noted. (Note 3))\*

Characteristic	Symbol	MC1458			MC1458C			Unit
		Min	Typ	Max	Min	Typ	Max	
Input Offset Voltage ( $R_S \leq 10\text{ k}\Omega$ )	$V_{IO}$	–	–	7.5	–	–	12	mV
Input Offset Current ( $T_A = 0^\circ$ to $+70^\circ\text{C}$ )	$I_{IO}$	–	–	300	–	–	400	nA
Input Bias Current ( $T_A = 0^\circ$ to $+70^\circ\text{C}$ )	$I_{IB}$	–	–	800	–	–	1000	nA
Output Voltage Swing ( $R_S \leq 10\text{ k}$ ) ( $R_S \leq 2\text{ k}$ )	$V_O$	$\pm 12$ $\pm 10$	$\pm 14$ $\pm 13$	– –	– $\pm 9.0$	– $\pm 13$	– –	V
Large Signal Voltage Gain ( $V_O = \pm 10\text{ V}$ , $R_L = 2\text{ k}$ ) ( $V_O = \pm 10\text{ V}$ , $R_L = 10\text{ k}$ )	$A_{VOL}$	15 –	– –	– –	– 15	– –	– –	V/mV

\* $T_{\text{low}} = 0^\circ\text{C}$  for MC1458, C  $T_{\text{high}} = +70^\circ\text{C}$  for MC1458, C

**NOTE:** 3. Input pins of an unused amplifier must be grounded for split supply operation or biased at least 3.0 V above  $V_{EE}$  for single supply operation.

Figure 1. Burst Noise versus Source Resistance

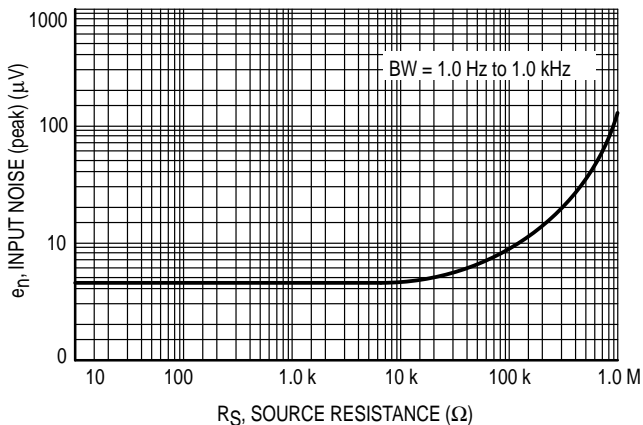


Figure 2. RMS Noise versus Source Resistance

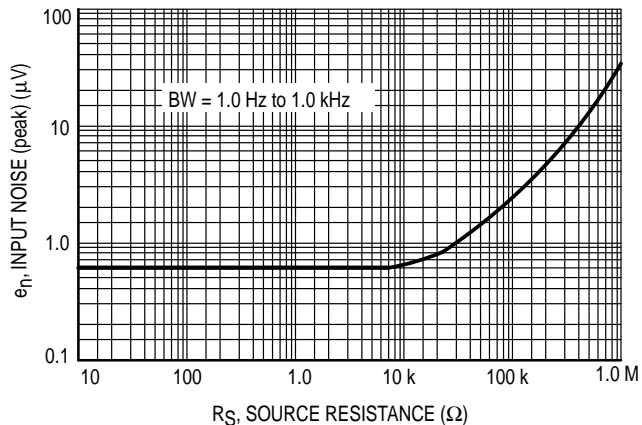


Figure 3. Output Noise versus Source Resistance

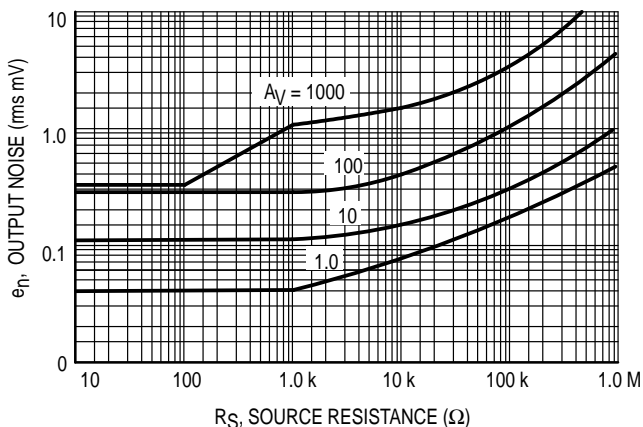


Figure 4. Spectral Noise Density

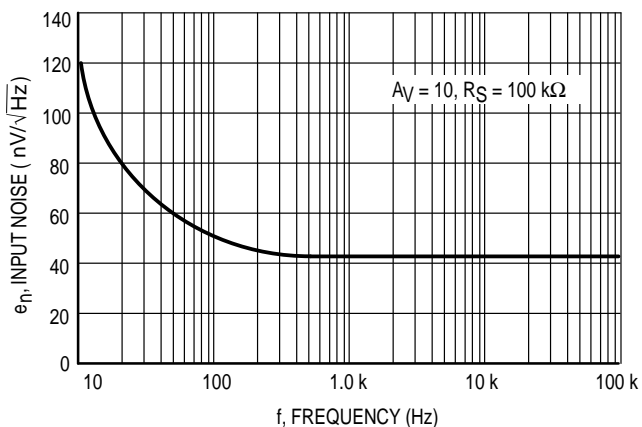
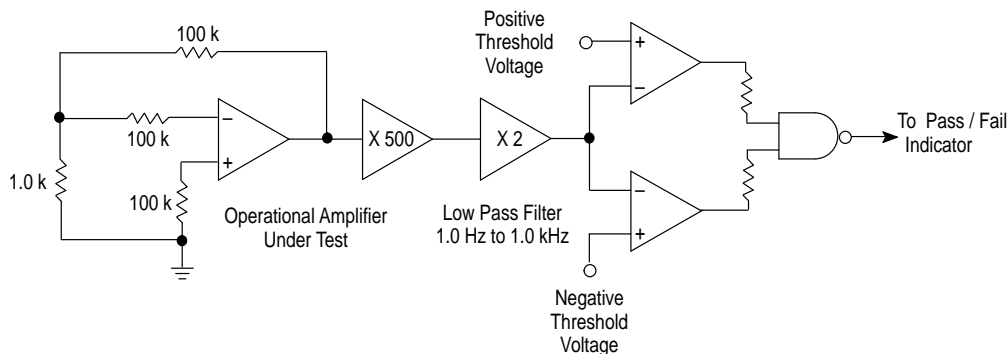


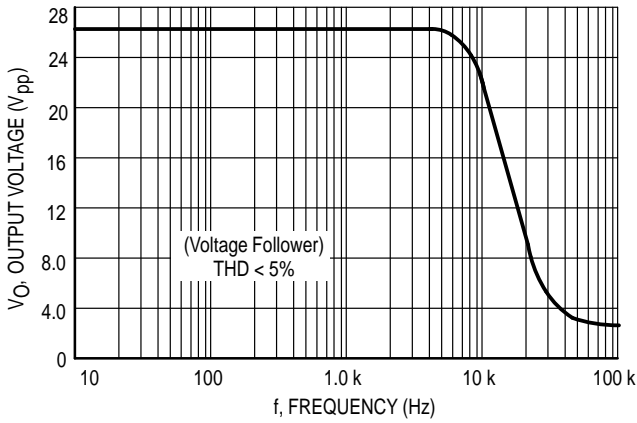
Figure 5. Burst Noise Test Circuit



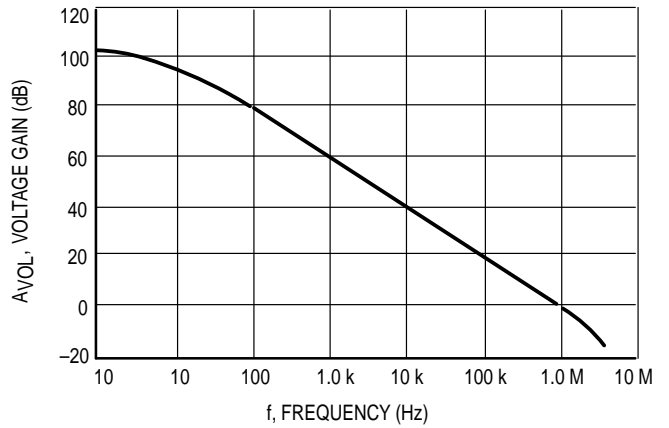
Unlike conventional peak reading or RMS meters, this system was especially designed to provide the quick response time essential to burst (popcorn) noise testing.

The test time employed is 10 sec and the 20 μV peak limit refers to the operational amplifier input thus eliminating errors in the closed loop gain factor of the operational amplifier .

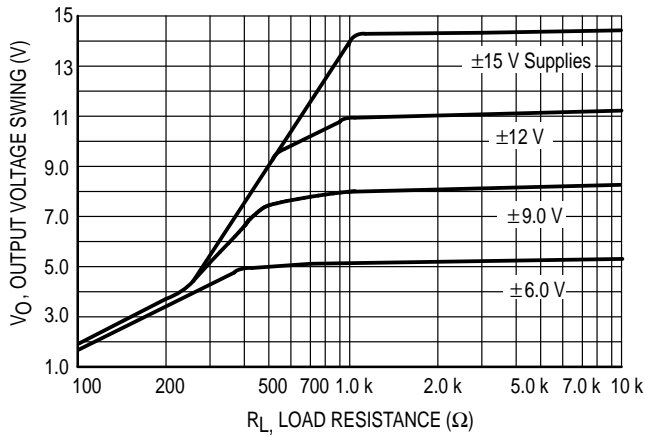
**Figure 6. Power Bandwidth  
(Large Signal Swing versus Frequency)**



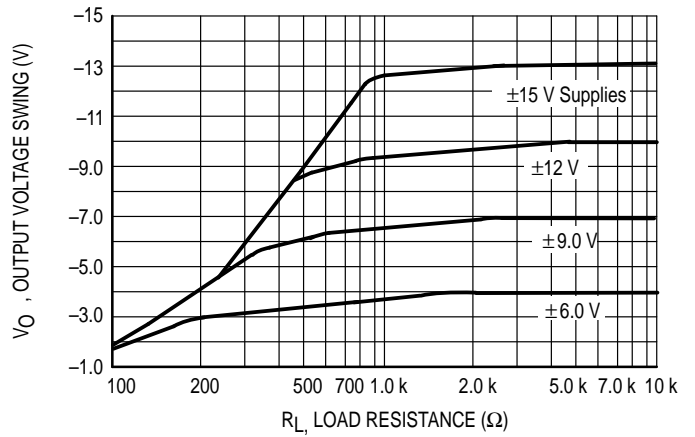
**Figure 7. Open Loop Frequency Response**



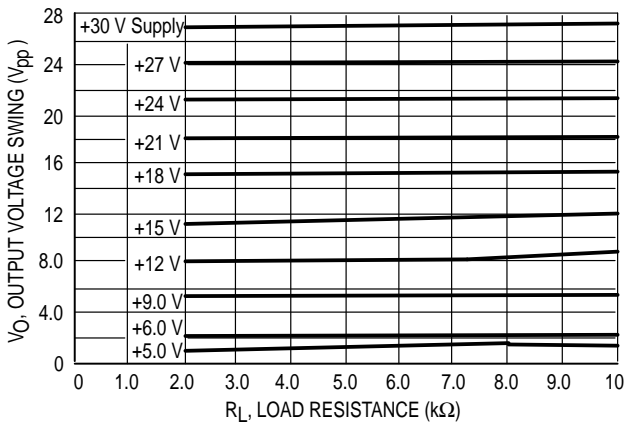
**Figure 8. Positive Output Voltage Swing  
versus Load Resistance**



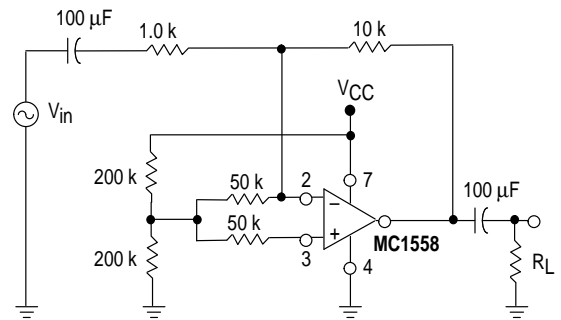
**Figure 9. Negative Output Voltage Swing  
versus Load Resistance**



**Figure 10. Output Voltage Swing versus  
Load Resistance (Single Supply Operation)**

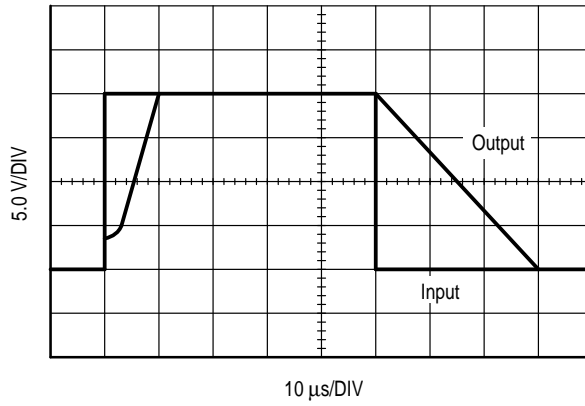


**Figure 11. Single Supply Inverting Amplifier**

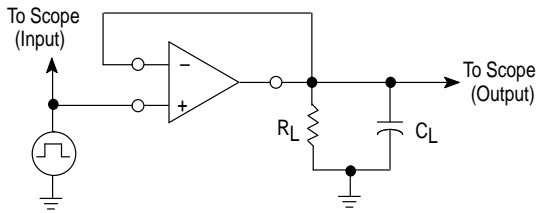


# MC1458, C

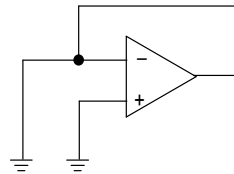
**Figure 12. Noninverting Pulse Response**



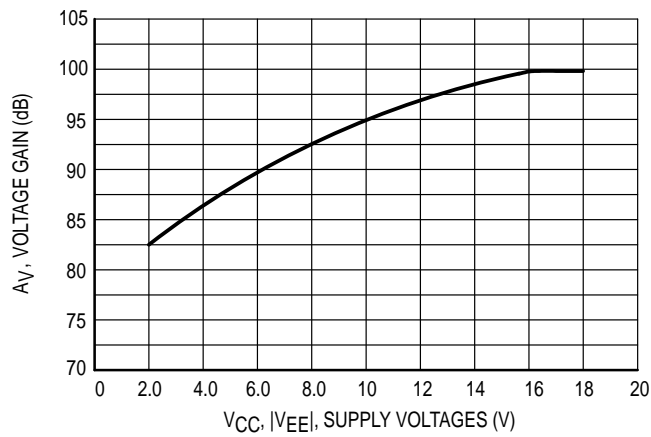
**Figure 13. Transient Response Test Circuit**



**Figure 14. Unused OpAmp**



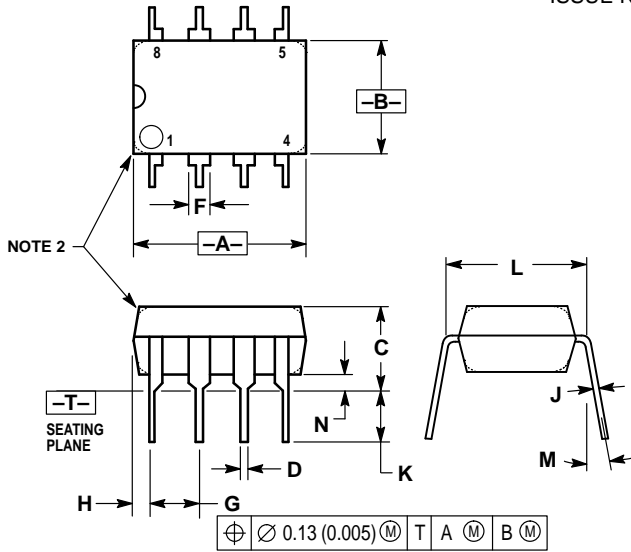
**Figure 15. Open Loop Voltage Gain versus Supply Voltage**



# MC1458, C

## OUTLINE DIMENSIONS

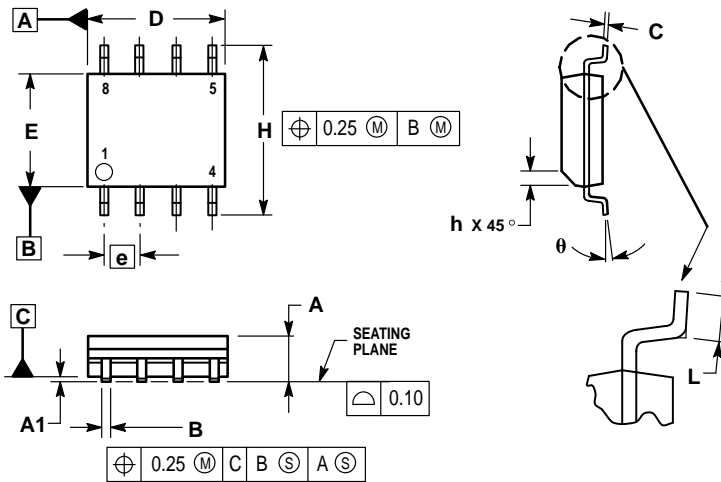
### P1 SUFFIX PLASTIC PACKAGE CASE 626-05 ISSUE K



- NOTES:
1. DIMENSION L TO CENTER OF LEAD WHEN FORMED PARALLEL.
  2. PACKAGE CONTOUR OPTIONAL (ROUND OR SQUARE CORNERS).
  3. DIMENSIONING AND TOLERANCING PER ANSI Y14.5M, 1982.

DIM	MILLIMETERS		INCHES	
	MIN	MAX	MIN	MAX
A	9.40	10.16	0.370	0.400
B	6.10	6.60	0.240	0.260
C	3.94	4.45	0.155	0.175
D	0.38	0.51	0.015	0.020
F	1.02	1.78	0.040	0.070
G	2.54 BSC		0.100 BSC	
H	0.76	1.27	0.030	0.050
J	0.20	0.30	0.008	0.012
K	2.92	3.43	0.115	0.135
L	7.62 BSC		0.300 BSC	
M	—	10°	—	10°
N	0.76	1.01	0.030	0.040

### D SUFFIX PLASTIC PACKAGE CASE 751-05 (SO-8) ISSUE R



- NOTES:
1. DIMENSIONING AND TOLERANCING PER ASME Y14.5M, 1994.
  2. DIMENSIONS ARE IN MILLIMETERS.
  3. DIMENSION D AND E DO NOT INCLUDE MOLD PROTRUSION.
  4. MAXIMUM MOLD PROTRUSION 0.15 PER SIDE.
  5. DIMENSION B DOES NOT INCLUDE MOLD PROTRUSION. ALLOWABLE DAMBAR PROTRUSION SHALL BE 0.127 TOTAL IN EXCESS OF THE B DIMENSION AT MAXIMUM MATERIAL CONDITION.

DIM	MILLIMETERS	
	MIN	MAX
A	1.35	1.75
A1	0.10	0.25
B	0.35	0.49
C	0.18	0.25
D	4.80	5.00
E	3.80	4.00
e	1.27 BSC	
H	5.80	6.20
h	0.25	0.50
L	0.40	1.25
θ	0°	7°

Motorola reserves the right to make changes without further notice to any products herein. Motorola makes no warranty, representation or guarantee regarding the suitability of its products for any particular purpose, nor does Motorola assume any liability arising out of the application or use of any product or circuit, and specifically disclaims any and all liability, including without limitation consequential or incidental damages. "Typical" parameters which may be provided in Motorola data sheets and/or specifications can and do vary in different applications and actual performance may vary over time. All operating parameters, including "Typicals" must be validated for each customer application by customer's technical experts. Motorola does not convey any license under its patent rights nor the rights of others. Motorola products are not designed, intended, or authorized for use as components in systems intended for surgical implant into the body, or other applications intended to support or sustain life, or for any other application in which the failure of the Motorola product could create a situation where personal injury or death may occur. Should Buyer purchase or use Motorola products for any such unintended or unauthorized application, Buyer shall indemnify and hold Motorola and its officers, employees, subsidiaries, affiliates, and distributors harmless against all claims, costs, damages, and expenses, and reasonable attorney fees arising out of, directly or indirectly, any claim of personal injury or death associated with such unintended or unauthorized use, even if such claim alleges that Motorola was negligent regarding the design or manufacture of the part. Motorola and  are registered trademarks of Motorola, Inc. Motorola, Inc. is an Equal Opportunity/Affirmative Action Employer.

# MC1458, C

**How to reach us:**

**USA/EUROPE/Locations Not Listed:** Motorola Literature Distribution;  
P.O. Box 20912; Phoenix, Arizona 85036. 1-800-441-2447 or 602-303-5454

**MFAX:** RMFAX0@email.sps.mot.com – TOUCHTONE 602-244-6609  
**INTERNET:** <http://Design-NET.com>

**JAPAN:** Nippon Motorola Ltd.; Tatsumi-SPD-JLDC, 6F Seibu-Butsuryu-Center,  
3-14-2 Tatsumi Koto-Ku, Tokyo 135, Japan. 03-81-3521-8315

**ASIA/PACIFIC:** Motorola Semiconductors H.K. Ltd.; 8B Tai Ping Industrial Park,  
51 Ting Kok Road, Tai Po, N.T., Hong Kong. 852-26629298



**MOTOROLA**



MC1458/D

