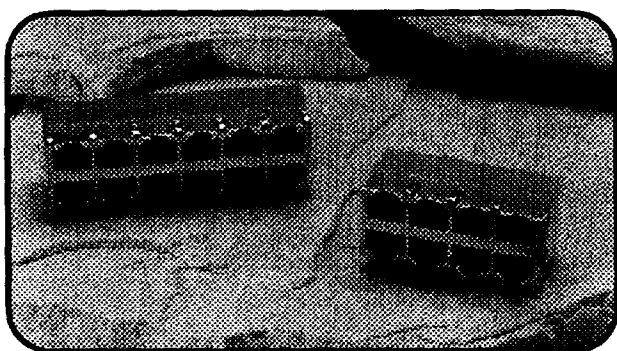


MODULAR JACK CONNECTORS

**MJDS-LG5 Series
Stacked Modular Jacks
2 to 16 Ports, Shielded**



MAXCONN A MEMBER OF THE ERNI GROUP

Performance Specifications

Materials and Finish

Housing: Glass filled polyester, Zytel FR50, UL 94V-0 rated, black
 Contacts: 0.35mm phosphor bronze, gold plated with tin leads over nickel
 Shielding: 0.25mm thickness copper alloy plated with 90 microinch tin

Mechanical Characteristics

Durability: 1000 mating cycles

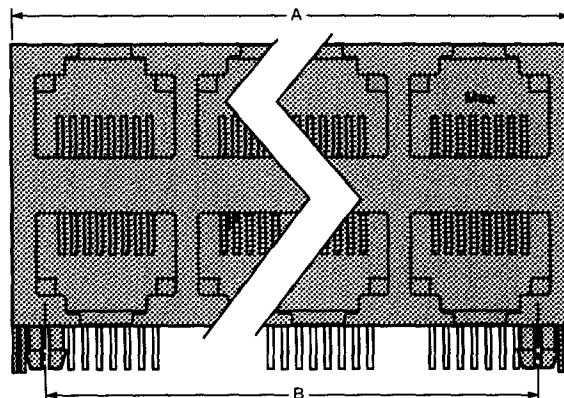
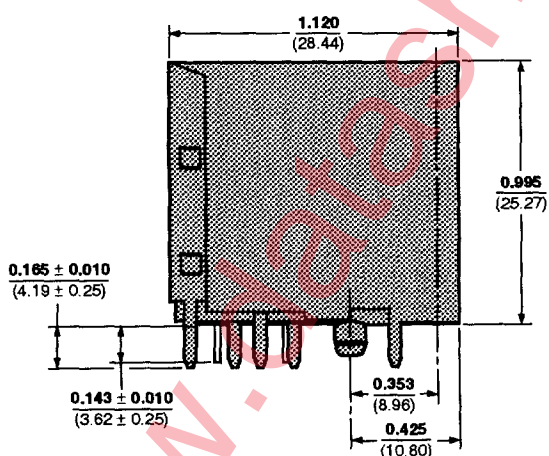
Electrical Characteristics

Current/Voltage: 150 Vac at 1.5 amps maximum at 25°C
 Dielectric Withstanding Voltage: 1000 Vac RMS minimum, 60 Hz
 Insulation Resistance: 500 megohms minimum
 Contact Resistance: 30 milliohms maximum
 Operating Temperature: -40° C to + 125° C

Features

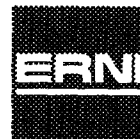
- Low profile
- Meets FCC requirements
- Non-shielded, shielded
- Category 5E compliant
- Enhanced panel and ground shield options
- UL and CSA approved E107337 and E145613

Dimensions



Description	No. of Ports and Style	A	B
2 x 1 Ports	2	0.680 17.27	0.450 11.43
2 x 2 Ports	4	1.230 31.24	1.000 25.40
2 x 3 Ports	6	1.780 45.21	1.550 39.37
2 x 4 Ports	8	2.330 59.18	2.100 53.34
2 x 6 Ports	12	3.430 87.12	3.200 81.28
2 x 8 Ports	16	4.530 115.06	4.300 109.22

NOTE: Consult factory for recommended PCB layout.

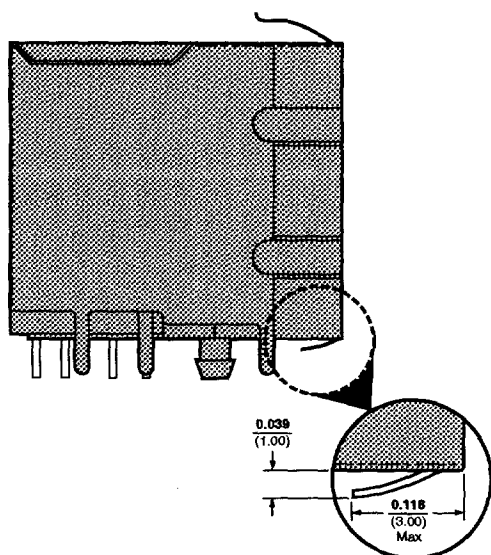


MODULAR JACK CONNECTORS

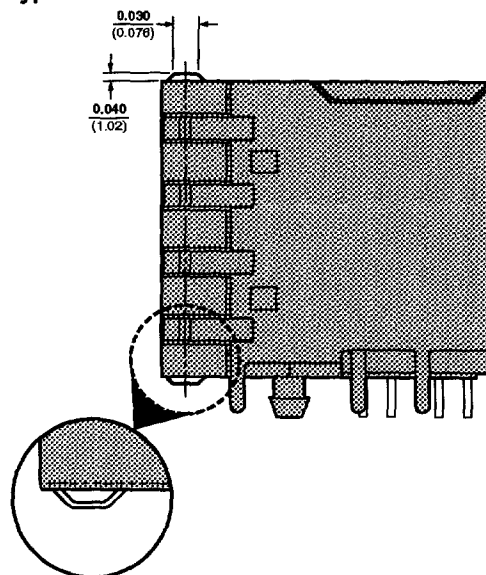
MJDS Series
Stacked Modular Jacks,
2 to 16 Port

MAXCONN A MEMBER OF THE ERNI GROUP

Detail A
GF Type Tab



Detail A
TF Type Tab



How to Order

