



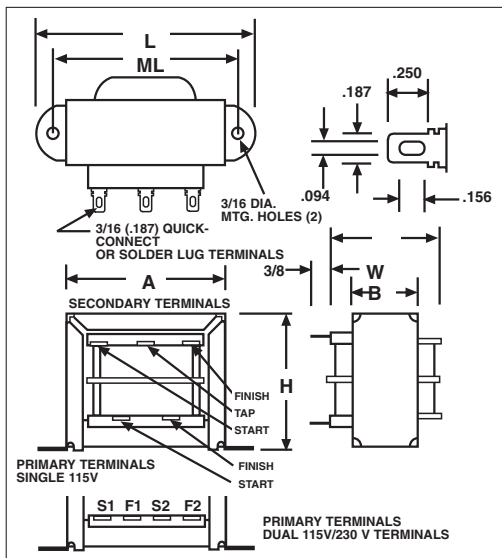
RL-2270

TWO IN ONE™ POWER TRANSFORMERS • CHASSIS MOUNT



The RL-2270 and RLD-2270 Series Power Transformers provide superior isolation and low capacitive coupling. These transformers with chassis mount capability are available in ratings of 2.4VA to 100VA. This series is available with single or dual primaries (115V or 115/230V - 50/60Hz) and a single center tapped secondary. The split bobbin construction eliminates the need for electrostatic shielding. Designed with solder lug/quick connect type terminals. HIPOT tested at 2500VRMS. Manufactured to Class B (130°C) insulation.

Datasheet.Directory



Size	VA	L	W	H	A	B	ML	Wgt
3	2.4	2.06" (52.3mm)	1.06" (26.9mm)	1.18" (30.1mm)	1.62" (41.3mm)	0.56" (14.3mm)	1.75" (44.5mm)	0.25 lbs (0.11 kg)
4	6	2.37" (60.3mm)	1.25" (31.8mm)	1.37" (34.9mm)	1.68" (42.8mm)	0.68" (17.4mm)	2.00" (50.8mm)	.44 lbs (0.20 kg)
5	12	2.81" (71.4mm)	1.37" (34.9mm)	1.62" (41.3mm)	1.93" (49.2mm)	0.81" (20.6mm)	2.37" (60.3mm)	0.7 lbs (0.32 kg)
6	30	3.25" (82.6mm)	1.68" (42.8mm)	1.93" (49.2mm)	2.31" (58.7mm)	1.06" (26.9mm)	2.81" (71.4mm)	1.1 lbs (0.50 kg)
7	56	3.68" (93.7mm)	1.81" (46.0mm)	2.25" (57.2mm)	2.68" (68.2mm)	1.06" (26.9mm)	3.12" (79.4mm)	1.7 lbs (0.77 kg)
8	100	4.03" (102.4mm)	2.25" (57.2mm)	2.56" (65.1mm)	3.06" (77.7mm)	1.31" (33.3mm)	3.50" (90.5mm)	2.75 lbs (1.25 kg)

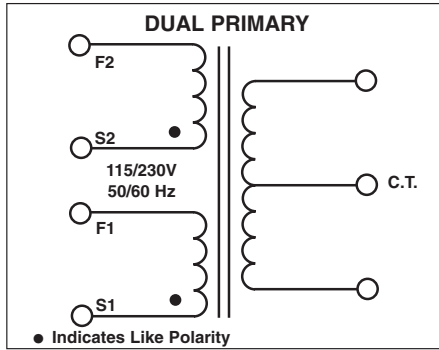
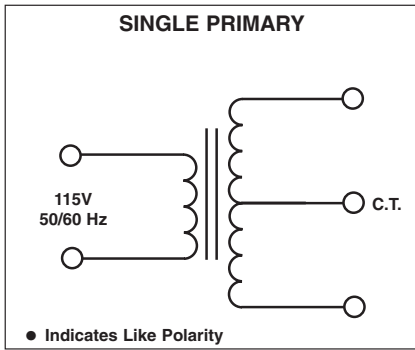


RENCO ELECTRONICS, INC.

595 International Place, Rockledge, FL 32955-4200 USA

(321) 637-1000 • Toll Free Engineering Hot line 800-645-5828

SINCE 1955 Fax: (321) 637-1600 Web Site: www.rencousa.com E-mail: sales@rencousa.com



Part Number		Secondary RMS Rating	Part Number		Secondary RMS Rating
Single 115V	Dual 115/230V		Single 115V	Dual 115/230V	
RL-2270-3-10	Not Available	10VCT @ 0.25A	RL-2270-3-28	Not Available	28VCT @ 0.085A
RL-2270-4-10	RLD-2270-4-10	10VCT @ 0.60A	RL-2270-4-28	RLD-2270-4-28	28VCT @ 0.20A
RL-2270-5-10	RLD-2270-5-10	10VCT @ 1.2A	RL-2270-5-28	RLD-2270-5-28	28VCT @ 0.42A
RL-2270-6-10	RLD-2270-6-10	10VCT @ 3.0A	RL-2270-6-28	RLD-2270-6-28	28VCT @ 1.1A
RL-2270-7-10	RLD-2270-7-10	10VCT @ 5.0A	RL-2270-7-28	RLD-2270-7-28	28VCT @ 3.0A
RL-2270-8-10	RLD-2270-8-10	10VCT @ 10A	RL-2270-8-28	RLD-2270-8-28	28VCT @ 3.6A
RL-2270-3-12	Not Available	12.6VCT @ 0.20A	RL-2270-3-36	Not Available	36VCT @ 0.065A
RL-2270-4-12	RLD-2270-4-12	12.6VCT @ 0.50A	RL-2270-4-36	RLD-2270-4-36	36VCT @ 0.17A
RL-2270-5-12	RLD-2270-5-12	12.6VCT @ 1.0A	RL-2270-5-36	RLD-2270-5-36	36VCT @ 0.35A
RL-2270-6-12	RLD-2270-6-12	12.6VCT @ 2.5A	RL-2270-6-36	RLD-2270-6-36	36VCT @ 0.85A
RL-2270-7-12	RLD-2270-7-12	12.6VCT @ 4.0A	RL-2270-7-36	RLD-2270-7-36	36VCT @ 1.5A
RL-2270-8-12	RLD-2270-8-12	12.6VCT @ 8.0A	RL-2270-8-36	RLD-2270-8-36	36VCT @ 2.8A
RL-2270-3-16	Not Available	16VCT @ 0.15A	RL-2270-3-48	Not Available	48VCT @ 0.05A
RL-2270-4-16	RLD-2270-4-16	16VCT @ 0.40A	RL-2270-4-48	RLD-2270-4-48	48VCT @ 0.125A
RL-2270-5-16	RLD-2270-5-16	16VCT @ 0.80A	RL-2270-5-48	RLD-2270-5-48	48VCT @ 0.25A
RL-2270-6-16	RLD-2270-6-16	16VCT @ 2.0A	RL-2270-6-48	RLD-2270-6-48	48VCT @ 0.63A
RL-2270-7-16	RLD-2270-7-16	16VCT @ 3.5A	RL-2270-7-48	RLD-2270-7-48	48VCT @ 1.2A
RL-2270-8-16	RLD-2270-8-16	16VCT @ 6.25A	RL-2270-8-48	RLD-2270-8-48	48VCT @ 2.0A
RL-2270-3-20	Not Available	20VCT @ 0.12A	RL-2270-3-56	Not Available	56VCT @ 0.045A
RL-2270-4-20	RLD-2270-4-20	20VCT @ 0.30A	RL-2270-4-56	RLD-2270-4-56	56VCT @ 0.11A
RL-2270-5-20	RLD-2270-5-20	20VCT @ 0.60A	RL-2270-5-56	RLD-2270-5-56	56VCT @ 0.22A
RL-2270-6-20	RLD-2270-6-20	20VCT @ 1.5A	RL-2270-6-56	RLD-2270-6-56	56VCT @ 0.54A
RL-2270-7-20	RLD-2270-7-20	20VCT @ 2.8A	RL-2270-7-56	RLD-2270-7-56	56VCT @ 1.00A
RL-2270-8-20	RLD-2270-8-20	20VCT @ 5.0A	RL-2270-8-56	RLD-2270-8-56	56VCT @ 1.8A
RL-2270-3-24	Not Available	24VCT @ 0.10A	RL-2270-3-120	Not Available	120VCT @ 0.02A
RL-2270-4-24	RLD-2270-4-24	24VCT @ 0.25A	RL-2270-4-120	RLD-2270-4-120	120VCT @ 0.05A
RL-2270-5-24	RLD-2270-5-24	24VCT @ 0.50A	RL-2270-5-120	RLD-2270-5-120	120VCT @ 0.10A
RL-2270-6-24	RLD-2270-6-24	24VCT @ 1.25A	RL-2270-6-120	RLD-2270-6-120	120VCT @ 0.25A
RL-2270-7-24	RLD-2270-7-24	24VCT @ 2.4A	RL-2270-7-120	RLD-2270-7-120	120VCT @ 0.50A
RL-2270-8-24	RLD-2270-8-24	24VCT @ 4.0A	RL-2270-8-120	RLD-2270-8-120	120VCT @ 0.85A



595 International Place, Rockledge, FL 32955-4200 USA

(321) 637-1000 • Toll Free Engineering Hot line 800-645-5828

Fax: (321) 637-1600 Web Site: www.rencousa.com E-mail: sales@rencousa.com