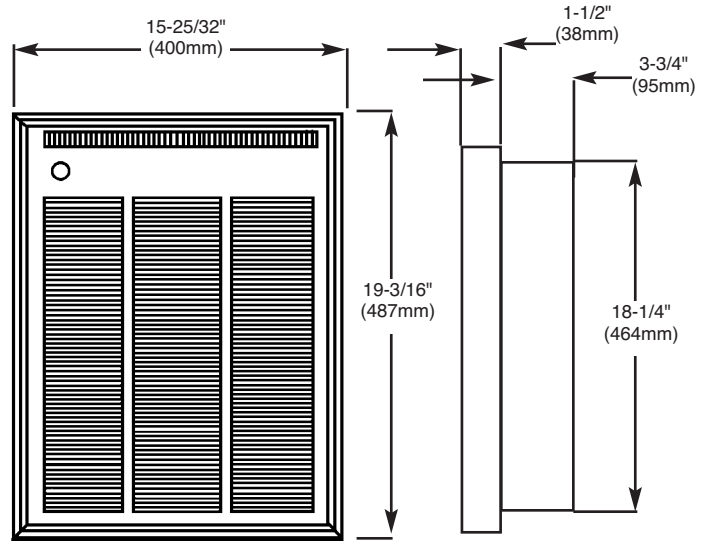




CWH 3000 (Series B) Fan Forced Wall Heaters



FILE #E21609

Installation & Maintenance Instructions

Dear Owner,

Congratulations! Thank you for purchasing this new heater manufactured by Marley Engineered Products. You have made a wise investment selecting the highest quality product in the heating industry. Please carefully read the installation and maintenance instructions shown in this manual. You should enjoy years of efficient heating comfort with this product from Marley Engineered Products... the industry's leader in design, manufacturing, quality and service.

*... The Employees of
Marley Engineered Products*

⚠ WARNING ⚡

Read Carefully - These instructions are written to help you prevent difficulties that might arise during installation of heaters. Studying the instructions first may save you considerable time and money later. Observe the following procedures and cut your installation time to a minimum. **TO REDUCE RISK OF FIRE OR ELECTRIC SHOCK:**

1. Disconnect all power coming to heater at main service panel before wiring or servicing.
2. All wiring must be in accordance with the National and Local Electrical Codes and the heater must be grounded.
3. Verify the power supply voltage coming to heater matches the ratings printed on the heater nameplate before energizing.
4. This heater is hot when in use. To avoid burns, do not let bare skin touch hot surfaces.
5. Do not insert or allow foreign objects to enter any ventilation or exhaust opening as this may cause an electric shock, fire, or damage to the heater.
6. Do not block air intakes or exhaust in any manner. Keep combustible materials, such as crates, drapes, etc., away from heater. Do not install behind doors, furniture, towels, or boxes.
7. A heater has hot and arcing (sparking) parts inside. Do not use it in areas where gasoline, paint, or flammable liquids are used or stored.
8. Use this heater only as described in this manual. Any other use not recommended by the manufacturer may cause fire, electric shock, or injury to persons.
9. This heater is not approved for use in corrosive atmospheres, such as marine, green house, or chemical storage areas.
10. Do not install heater upside down or sideways. Do not use heater without grille.
11. For wall mounting only. Do not install heater closer than 8" (203 mm) to the floor or any adjacent wall surface. Do not install closer than 36" (915 mm) to the ceiling.

SAVE THESE INSTRUCTIONS

NOTE: This heater has a continuous fan-only feature. See page 3 for details.

Installation of Recessed Back Box in New Construction

1. Mounting Back Box (See Figure 1).
 - a. Place the back box between two 16" (406 mm) center-to-center wall studs at the desired mounting height but no closer than 8" (203 mm) to adjacent wall or floor.

Note: If wall studs are spaced greater than 16" on center, additional framing supports may be necessary.

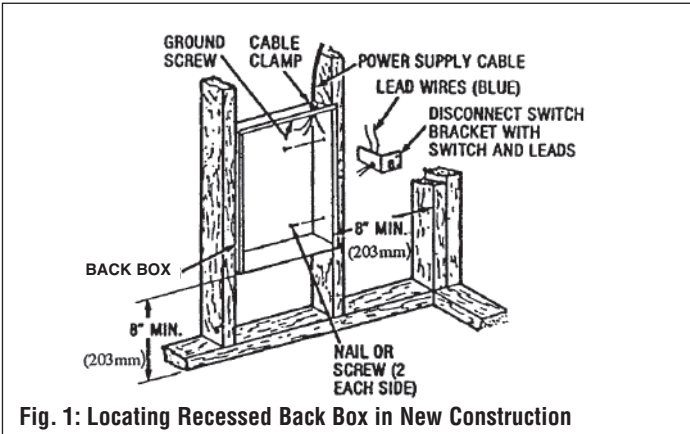


Fig. 1: Locating Recessed Back Box in New Construction

- b. Align back box such that the bottom and sides will be flush with finished wall surface (top flange of back box should protrude approximately 1/2" (12.7 mm) from finished wall surface).
 - c. Secure the back box in position with wood screws or nails as shown in Figure 1.
2. Power Supply Wiring (See Figure 1)

NOTE: Wire compartment volume - 119in³ (1950cm³).

 - a. Run a power supply cable into the knockout area in the upper right hand corner of the back box. All wiring must be in accordance with National and Local Electrical Codes. Refer to Table 1 for correct wire size.
 - b. Remove disconnect switch bracket by loosening two screws on the right side.
 - c. Install a cable clamp in the "knockout" in the top of the back box.
 - d. Insert power supply cable through cable clamp, allowing at least 6" (152mm) of leads to extend inside the back box. Connect the blue lead wires of disconnect switch to the supply wire leads using wire connectors (see wiring diagram, pg. 3.)
 - e. Ground the back box by connecting the supply ground lead wire to the green ground screw located in the inside top of the back box.
 - f. Secure disconnect switch bracket in place by tightening screws.

Installation of Recessed Back Box in Existing Construction

1. Provide a wall opening 14-1/2" (362mm) wide by 18-1/2" (470mm) high at the desired mounting height, but no closer than 8" (203mm). (See Figure 2.)

Note: Locate so that at least one side of opening is at wall stud.

2. Power Supply Wiring

NOTE: Wiring Compartment Volume - 119in³ (1950cm³).

 - a. Run a power supply cable into the area above the top of the wall opening. All wiring must be in accordance with National and Local electrical codes. Refer to Table 1 for correct wire size.
 - b. Remove disconnect switch bracket by loosening the two screws on the right side.
 - c. Install a cable clamp in the "knockout" in the top of wall back box.
 - d. Insert power supply cable through cable clamp, allowing approximately 6" (152mm) of cable length to remain inside the back box to facilitate connections.

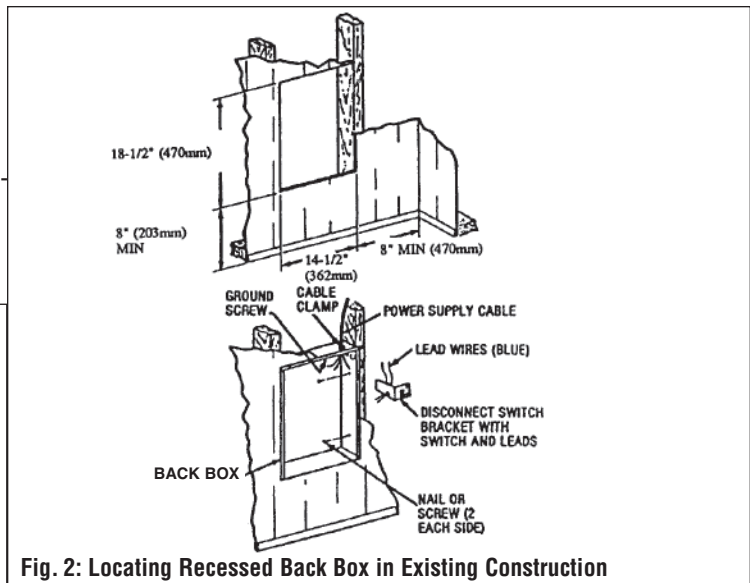


Fig. 2: Locating Recessed Back Box in Existing Construction

3. Mounting Back Box
 - a. Place the back box into wall opening flush with finished wall surface on bottom and sides of box. (Top flange of backbox should protrude approximately 1/2" or 12.7mm from finished wall surface).
 - b. Secure the back box in place with wood screws or nails.
4. Wiring Disconnect Switch
 - a. Connect the power supply wires to the blue wires of the disconnect switch using wire connectors (see wiring diagram, pg. 3)
 - b. Ground the back box connecting the supply ground lead wire to the green ground screw located in the inside top of the back box.
 - c. Secure disconnect switch bracket in place by tightening screws.

TABLE 1

CATALOG NUMBER	VOLTS	PHASE	WATTS	AMPS	MIN. SUPPLY WIRE GAUGE
CWH3150	120	1	1500	12.5	12
CWH3180	120	1	1800	15.0	12
CWH3404*	240/208	1	4000/3000 2000/1500	16.7/14.5 8.3/7.2	10 12
CWH3407*	277/240	1	4000/3000 2000/1500	14.5/12.5 7.2/6.3	12 12
CWH3307*	277	1	3000/1500	10.8/5.4	14
CWH3408*	208	1	4000/2000	19.2/9.6	10
CWH34083	208	3	4000	11.1	14
CWH34043	240	3	4000	9.7	14
CWH3504	208/240	1	3600/4800	17.3/20.0	10
CWH3507	240/277	1	3600/4800	15.0/17.3	10
CWH3508	208	1	4800	23.1	10
CWH35083	208	3	4800	13.4	12
CWH35043	240	3	4800	11.6	14
CWH3203	347	1	2000	5.8	14
CWH3206	600	1	2000	3.3	14
CWH3153	347	1	1500	4.3	14
CWH3156	600	1	1500	2.5	14
CWH3303	347	1	3000	8.6	14
CWH3306	600	1	3000	5	14
CWH3403	347	1	4000	11.5	14
CWH3406	600	1	4000	6.7	14
CWH3503	347	1	4800	13.8	12
CWH3506	600	1	4800	8	14

* Factory wired for higher wattage. Field convertible to half wattage.

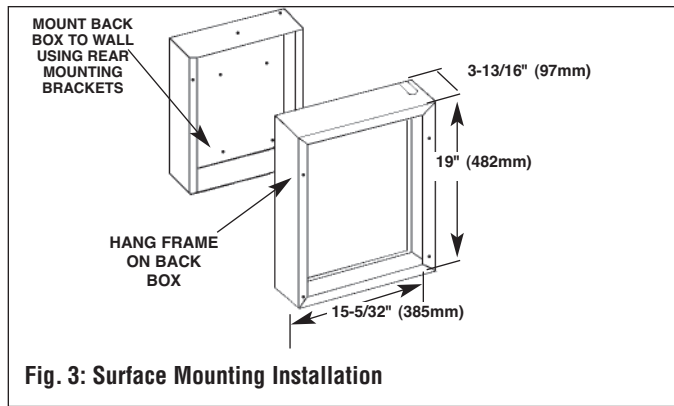


Fig. 3: Surface Mounting Installation

Installation of Back box with Surface-Mounting Frame (See Figure 3)

1. Secure back box to wall with knockouts in upper right hand corner using screws and anchors.
2. Hang the surface-mounting frame on the back box. Ensure that the back edge of the surface-mounting frame is flush against the wall.

NOTE: If heater is located in a high traffic area where it may be subjected to vandalism or abuse, take extreme care to see that the box is firmly attached to the wall.

3. Power Supply Wiring

- NOTE:** Wiring Compartment Volume - 119in³ (1950cm³).
- a. Run a power supply cable into the area of the upper right corner of the mounting frame. Arrangement of wiring to this point must be in accordance with National and Local codes. Refer to Table 1 on page 2 for proper wire size.

NOTE: If the wiring is to run through the wall, cut a hole in the area of the top of the wall box. Run the supply wire through this hole. Then remove the “knockout” from the top of the box and proceed to step C.

- b. Remove the “knockout” on the top side of the frame.
- c. Remove disconnect switch bracket by loosening the two screws on the right side.
- d. Feed the power supply cable through the frame allowing 6" (152mm) of lead to remain inside the back box.
- e. Secure the power supply cable to the back box (using cable clamp, connector, or other suitable strain relief) allowing 6" (152mm) of lead to remain inside the back box.
- f. Connect supply wires to blue wires of disconnect switch using wiring connectors (see wiring diagram).
- g. Ground the back box by connecting the supply ground leadwire to the green ground screw located in the inside top of the back box.
- h. Secure disconnect switch bracket in place.

Installation of Heater Assembly and Grille

After back box is completely installed and no further construction dirt is expected, clean debris from back box, remove heater assembly from its carton, then refer to Figure 4 and proceed as follows:

1. Insert the heater assembly into back box, placing the four mounting holes (with key-hole slots) over the screws in the back box. Tighten all screws securely.
2. If surface-mounting frame is used, ensure that the frame is even with all four heater assembly tabs before tightening screws.
3. Connect the two disconnected switch wires to the heater control switch (thermostat) leads using wire nuts. After connection, push wires back into the opening.
4. Turn thermostat to the extreme counterclockwise position.

5. Push disconnect switch into ON position.
6. Mount the grille using the four (4) long screws provided. The screws thread into holes located in the side flanges of the back box.
7. Push thermostat knob onto thermostat shaft.

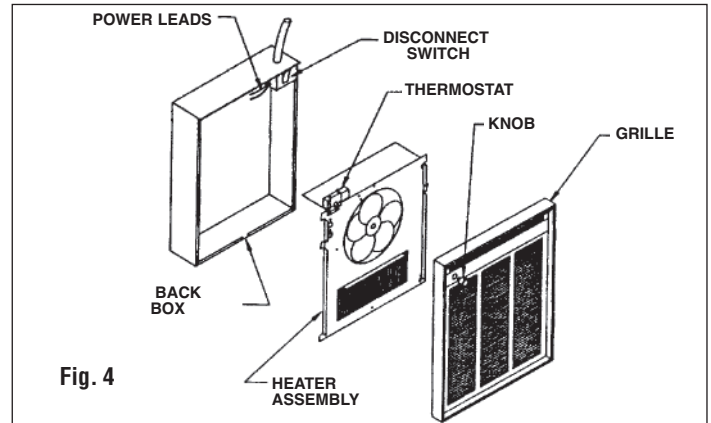
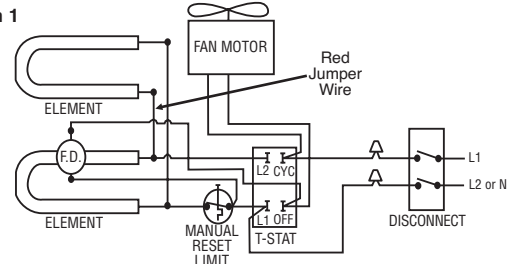


Fig. 4

WIRING DIAGRAMS

Diagram 1

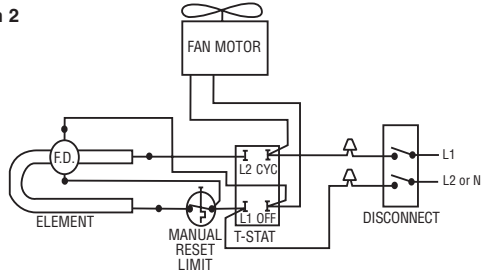


1500, 1800, 4800, 4000, & 3000 WATT HEATERS

120V, 208V, 240V, or 277V (Full wattage heaters can be converted to half wattage by removing the red jumper wire connecting the top and bottom element terminals.) See wiring diagram no. 6 for 4800W, 208V.

NOTE: Conversion to half wattage not applicable to CWH3150 and CWH3180.

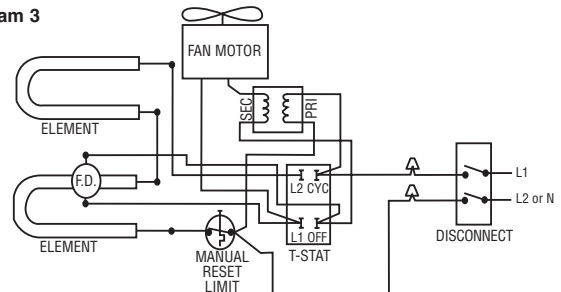
Diagram 2



2000 & 1500 WATT HEATERS

208V, 240V, OR 277V

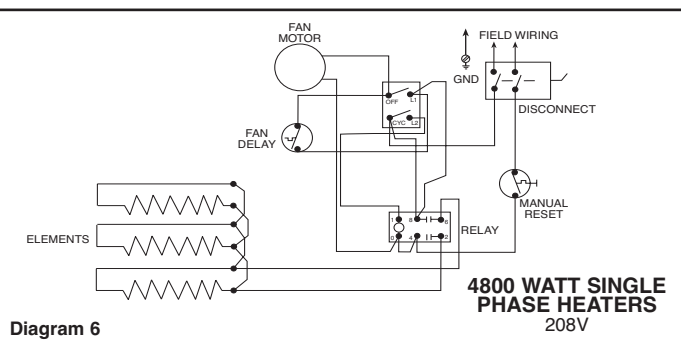
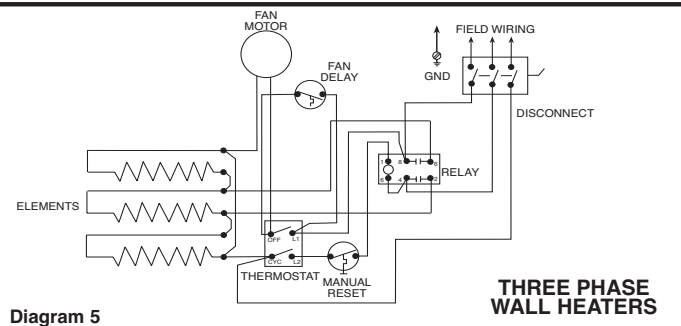
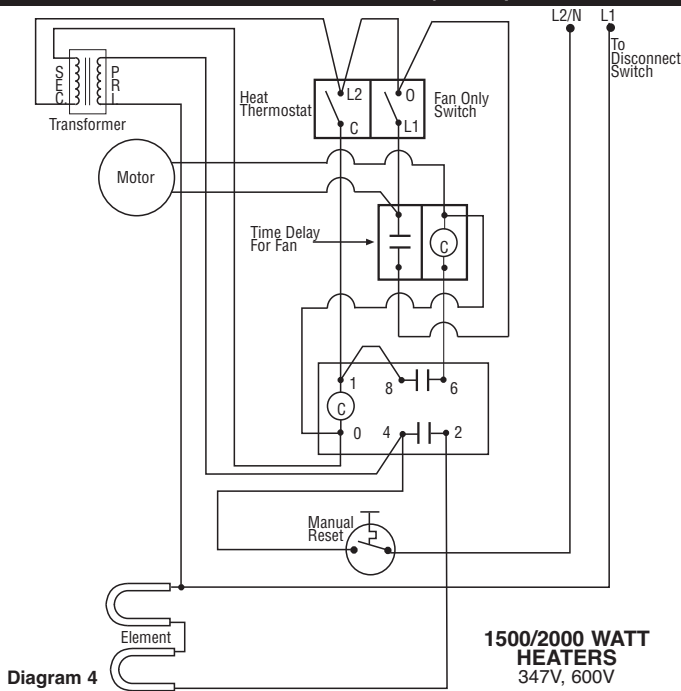
Diagram 3



4800, 4000, & 3000 WATT HEATERS

347V, 600V

WIRING DIAGRAMS (Con't)



NOTE: For best results, the heater should be left "ON" constantly during the heating season because the thermostat, when properly set, will maintain the desired temperature.

Maintenance

TO RESET MANUAL RESET LIMIT

Your heater is equipped with a manual reset safety thermal limit control that will automatically turn the heater off to prevent a fire if the heater overheats. This control is located on the fan panel assembly between the element and fan blade and marked "reset". The red reset button can be seen through the front grille when the heater is installed. To reset, allow the heater to cool, then push the red button that is visible through the hole in the fan panel. The heater should immediately return to normal operation.

Once each year the heater should be cleaned to remove dust and other foreign material which has collected during the heating season. This is a simple operation when performed as follows:

1. Turn off the electric power at main line switch (or remove all fuses) to disconnect electric power from the heater.
THIS IS IMPORTANT.
2. Remove the grille (Figure 4) and turn the disconnect switch to the OFF position.

CAUTION



DO NOT USE WATER OR DAMP CLOTH FOR CLEANING AND DO NOT DISTURB THE HEATING ELEMENT.

3. With a vacuum cleaner nozzle or dust cloth, remove dust and other foreign material.
4. After cleaning, turn disconnect switch to ON position and reinstall the grille.
5. Turn on the main line switch (or replace fuses) to restore power to the heater. The heater is now ready for another season of operation.

NAMEPLATE

MODEL NO. **CWH3408B**

DATE CODE: **0402**

FAN FORCED WALL HEATER

APPAREIL DE CHAUFFAGE MURAL À AIR PULSÉ



VOLTS AC 208 60HZ WATTS 4000 PHASE 1

MUST BE USED WITH BACK BOX

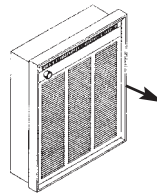
7746 LISTED ROOM HEATER

DO NOT OPERATE WITHOUT FRONT COVER IN PLACE.

DOIT ÊTRE UTILISÉ AVEC BOÎTIER ARRIÈRE AWH-BB
NE PAS UTILISER SI LE COUVERCLE AVANT N'EST PAS EN PLACE.

MARLEY ENGINEERED PRODUCTS
BENNETTSVILLE, SC 29512

4104-2046-058



CAUTION



OPERATION OF THE MANUAL RESET SAFETY THERMAL LIMIT CONTROL IS AN INDICATION THAT THE HEATER HAS BEEN SUBJECTED TO SOME ABNORMAL CONDITION. IT IS RECOMMENDED THAT THE HEATER BE CHECKED BY A REPUTABLE ELECTRICIAN OR REPAIR SERVICE TO ENSURE THE HEATER HAS NOT BEEN DAMAGED.

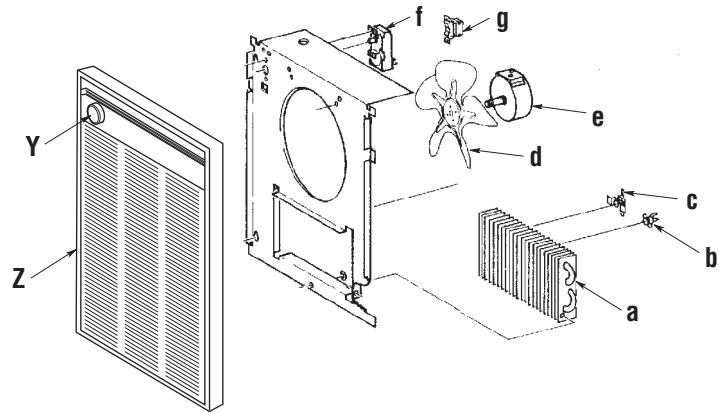
Operation

1. Rotate the thermostat knob fully clockwise. This should energize the heating elements and fan causing warm air to flow from the hot air discharge at the openings in the bottom of the grille.
2. After the operation check, rotate the thermostat knob to the desired position to obtain room comfort.
3. For continuous fan-only operation (elements will not be energized) rotate thermostat knob where indicator dot on knob is aligned with FAN.
4. There will be a short delay from the time the unit is turned on until the fan engages. This is to allow the elements time to warm up. The fan will also continue to run once the unit is turned off to allow the elements time to cool.

Replacement Parts

Key No.	Description	Part Number
1	Knob	3301-2016-000
2	Grille	2501-2019-001
3	Element:	
	CWH1512	120V/1500W 302012827
	CWH1812	120V/1800W 302012828
	CWH3208B	208V/2000W 302015801
	CWH3408B	208V/4000W 302012807
	CWH34083B	208V/4000W/ 3Ph. 1802-2075-800
	CWH3508B	208V/4800W 1802-2075-801
	CWH35083B	208V/4800W/3Ph. 1802-2075-801
	CWH3204B	240V/2000W 302015802
	CWH3404B	240V/4000W 302012808
	CWH34043B	240V/4000W/3Ph. 1802-2075-802
	CWH3504B	240V/4800W 302012810
	CWH35043B	240V/4800W/3Ph. 1802-2075-803
	CWH3157B	277V/1500W 302015806
	CWH3207B	277V/2000W 302015803
	CWH3307B	277V/3000W 302012806
	CWH3407B	277V/4000W 302012809
	CWH3507B	277V/4800W 302012811
	CWH3153B	347V/1500W 302012824
	CWH3203B	347V/2000W 302012808
	CWH3303B	347V/3000W 302012818
	CWH3403B	347V/4000W 302012821
	CWH3503B	347V/4800W 302012823
	CWH3156B	600V/1500W 302012816
	CWH3206B	600V/2000W 302012818
	CWH3306B	600V/3000W 302012820
	CWH3406B	600V/4000W 302012822
	CWH3506B	600V/4800W 302012824
4	Manual Limit	4520-2017-000
5	Fan Delay	410740000
6	Fan Blade	490030103
7	Motor:	
	120V	3900-2010-003
	208V	3900-2010-000
	240V	3900-2010-000
	277V	3900-2010-001
	347V	*3900-2010-000
	600V	*3900-2010-000
8	Thermostat	5813-2059-000
9	Disconnect	120V, 208V/1PH, 240V/1Ph., 277V 208V/3Ph., 240V/3Ph., 347V, 600V 410170001 5216-2019-000
10	Motor Transformer	347V Heaters 5714-2014-001 600V Heaters 5814-2014-000

* See item 10. These heaters use a transformer to convert heater voltage to motor voltage.



Reference Data

Catalog Number	Volts	Ph.	Watts
CWH-3208		1	2000
CWH-3408	208	1	4000
CWH-34083		3	4000
CWH-3204	208/	1	1500/2000
CWH-3404	240	1	3000/4000
CWH-34043	240	3	4000
CWH-3207	240/	1	1500/2000
CWH-3407	277	1	3000/4000

Catalog Number	Volts	Ph.	Watts
CWH-3157	277	1	1500
CWH-3307		1	3000
CWH-3508	208	1	4800
CWH-35083		3	4800
CWH-3504	208/ 240	1	3600/4800
CWH-35043	240	3	4800
CWH-3507	240/ 277	1	3600/4800

LIMITED WARRANTY

All products manufactured by Marley Engineered Products are warranted against defects in workmanship and materials for one year from date of installation, except heating elements which are warranted against defects in workmanship and materials for five years from date of installation. This warranty does not apply to damage from accident, misuse, or alteration; nor where the connected voltage is more than 5% above the nameplate voltage; nor to equipment improperly installed or wired or maintained in violation of the product's installation instructions. All claims for warranty work must be accompanied by proof of the date of installation.

The customer shall be responsible for all costs incurred in the removal or reinstallation of products, including labor costs, and shipping costs incurred to return products to Marley Engineered Products Service Center. Within the limitations of this warranty, inoperative units should be returned to the nearest Marley authorized service center or the Marley Engineered Products Center, and we will repair or replace, at our option, at no charge to you with return freight paid by Marley. It is agreed that such repair or replacement is the exclusive remedy available from Marley Engineered Products.

THE ABOVE WARRANTIES ARE IN LIEU OF ALL OTHER WARRANTIES EXPRESSED OR IMPLIED. AND ALL IMPLIED WARRANTIES OF MERCHANTABILITY AND FITNESS FOR A PARTICULAR PURPOSE WHICH EXCEED THE AFORESAID EXPRESSED WARRANTIES ARE HEREBY DISCLAIMED AND EXCLUDED FROM THIS AGREEMENT. MARLEY ENGINEERED PRODUCTS SHALL NOT BE LIABLE FOR CONSEQUENTIAL DAMAGES ARISING WITH RESPECT TO THE PRODUCT, WHETHER BASED UPON NEGLIGENCE, TORT, STRICT LIABILITY, OR CONTRACT.

Some states do not allow the exclusion or limitation of incidental or consequential damages, so the above exclusion or limitation may not apply to you. This warranty gives you specific legal rights, and you may also have other rights which vary from state to state.

For the address of your nearest authorized service center, contact Marley Engineered Products in Bennettsville, SC, at 1-800-642-4328. Merchandise returned to the factory must be accompanied by a return authorization and service identification tag, both available from Marley Engineered Products. When requesting return authorization, include all catalog numbers shown on the products.

HOW TO OBTAIN WARRANTY SERVICE AND WARRANTY PARTS PLUS GENERAL INFORMATION

1. Warranty Service or Parts **1-800-642-4328**
2. Purchase Replacement Parts **1-800-654-3545**
3. General Product Information **www.marleymep.com**

Note: When obtaining service always have the following:

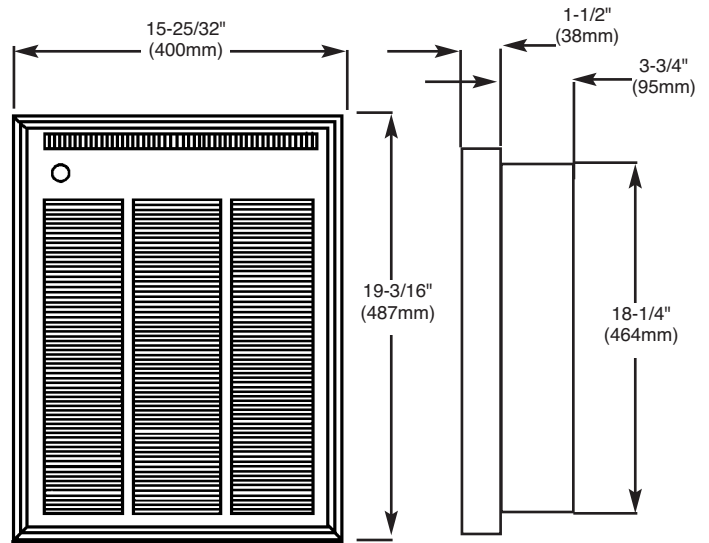
1. Model number of the product
2. Date of manufacture
3. Part number or description



470 Beauty Spot Rd. East
Bennettsville, SC 29512 USA



Calentadores de Pared de Tiro Forzado CWH 3000 (Serie B)



EXPEDIENTE NO. E21609

Instrucciones de Instalación y Mantenimiento

Estimado propietario:

¡Felicitaciones! Gracias por comprar este nuevo calentador fabricado por Marley Engineered Products. Usted ha efectuado una sabia inversión al seleccionar el producto de la más alta calidad en la industria de calefacción. Por favor lea cuidadosamente las instrucciones de instalación y mantenimiento indicadas en este manual. Usted debería gozar de años de calefacción eficiente con este producto de Marley Engineered Products...el líder de la industria en diseño, fabricación, calidad y servicio.

*... Los empleados de
Marley Engineered Products*



ADVERTENCIA



Lea cuidadosamente - Estas instrucciones están escritas para ayudarle a prevenir dificultades que podrían surgir durante la instalación de los calentadores. El estudiar primero las instrucciones puede ahorrarle un tiempo considerable y dinero después. Observe los procedimientos siguientes, y reduzca a un mínimo su tiempo de instalación. **PARA PREVENIR EL RIESGO DE INCENDIO O CHOQUE ELECTRICO.**

1. Antes de cablear o prestar servicio y para prevenir el choque eléctrico, desconecte la potencia entrante al calentador por el panel principal de servicio.
2. Todo el cableado debe conformar con los códigos eléctricos nacionales y locales, y el calentador debe estar conectado a tierra como precaución contra un choque eléctrico posible.
3. Antes de activar, verifique que el voltaje del suministro de potencia entrante al calentador corresponda a las clasificaciones principales impresas en la placa de nombre.
4. Este calentador está caliente durante el uso. Para evitar quemaduras, no permita que la piel expuesta toque las superficies calientes.
5. No inserte ni permita que objetos extraños entren a ninguna apertura de ventilación o escape ya que esto puede causar un choque eléctrico, incendio o daños al calentador.
6. No bloquee de ninguna manera las tomas de aire o los escapes, para prevenir un posible incendio. Mantenga los materiales combustibles, tales como cajas de madera, cortinas, etc. alejados del calentador. No instale detrás de puertas, muebles, toallas, o cajas.
7. Un calentador tiene adentro piezas calientes y productoras de arcos eléctricos o de chispas. No use en áreas donde estén almacenados gasolina, pintura o líquidos inflamables.
8. Use este calentador solo de la manera descrita en este manual. Cualquier otro uso no recomendado por el fabricante puede causar incendio, choque eléctrico, o lesiones a las personas.
9. Este calentador no está aprobado para usar en atmósferas corrosivas tales como de mar, invernaderos o áreas de almacenamiento de productos químicos.
10. No instale el calentador invertido o lateralmente. No use el calentador sin la rejilla.
11. Para montaje de pared solamente. No instale el calentador más cercano que 8" (203mm) del piso o de cualquier superficie adyacente de pared. No instale más cercano que 36" (915mm) del cieloraso.

GUARDE ESTAS INSTRUCCIONES

NOTA: Este calentador tiene una característica continua de ventilador solamente. Vea la página 4 por los detalles.

Instalación de la Caja Posterior Empotrada en Nueva Construcción

- Montaje de la Caja Posterior (Vea la Figura 1)
 - Coloque la caja posterior entre dos montantes de pared de 16" (406mm) de centro a centro a la altura deseada de montaje pero no más cercano que 8" (203mm) a la pared o piso adyacentes.

NOTA: Si los travesaños de la pared están espaciados a más de 406 mm (16") entre centros, puede que se necesiten soportes de armazón adicionales.

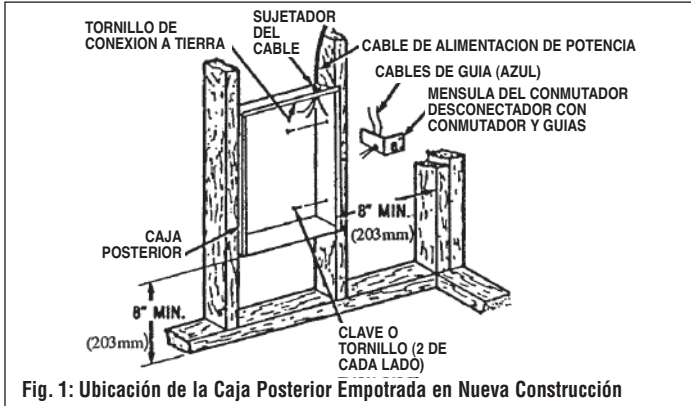


Fig. 1: Ubicación de la Caja Posterior Empotrada en Nueva Construcción

- Alinee la caja posterior tal que el fondo y los lados estén al ras con la superficie terminada de la pared (la brida del tope de la caja posterior debe sobresalir 1/2" (12.7mm) aproximadamente de la superficie terminada de la puerta).
 - Asegure en posición la caja posterior con tornillos o clavos para madera, según se muestra en la Figura 1.
- Cableado de la Alimentación de Potencia (Vea la Figura 1)

NOTA: Volumen del compartimiento de cables - 119 pulg.3 (1950 cm³)

 - Tienda un cable de alimentación de potencia dentro del área ciega en la esquina superior derecha de la caja posterior. Todo el cableado debe conformar con los Códigos Eléctricos Nacionales y Locales. Para el tamaño correcto del cable refiérase a la Tabla 1.
 - Extraiga la ménsula del conmutador desconectador aflojando dos tornillos del lado derecho.
 - Instale un sujetador de cable en área "ciega" al tope de la caja posterior.
 - Inserte el cable de alimentación de potencia a través del sujetador de cable, permitiendo que 6" (152 mm) de guías se extiendan dentro de la caja posterior. Conecte los cables azules de guía del conmutador desconectador a las guías del cable de alimentación usando conectores de cable (vea el diagrama de cableado, pág.3)
 - Conecte la caja posterior a tierra conectando el cable guía de conexión a tierra de la alimentación al tornillo verde de conexión a tierra ubicado en el tope interior de la caja posterior.
 - Asegure la ménsula del conmutador desconectador en su lugar ajustando los tornillos.

Instalación de la Caja Posterior Empotrada en Construcción Existente

- Provea una abertura de pared de 14-1/2" (362 mm) de ancho por 18-1/2" (470 mm) de alto a la altura deseada de montaje, pero no más cercano que 8" (203 mm). (Vea la Figura 2).

NOTA Elija la ubicación de modo que al menos un lado de la abertura coincida con un travesaño de la pared.

- Cableado de la Alimentación de Potencia

- NOTA:** Volumen del compartimiento de cables - 119 pulg.3 (1950 cm³)
- Tienda un cable de alimentación de potencia dentro del área ciega en la esquina superior derecha de la caja posterior. Todo el cableado debe conformar con los Códigos Eléctricos Nacionales y Locales. Para el tamaño correcto del cable refiérase a la Tabla 1.
 - Extraiga la ménsula del conmutador desconectador aflojando los dos tornillos del lado derecho.
 - Instale un sujetador de cable en área "ciega" al tope de la caja posterior de pared.
 - Inserte el cable de alimentación de potencia a través del sujetador de cable, permitiendo que 6" (152 mm) de guías se extiendan dentro de la caja posterior para facilitar las conexiones. Conecte los cables

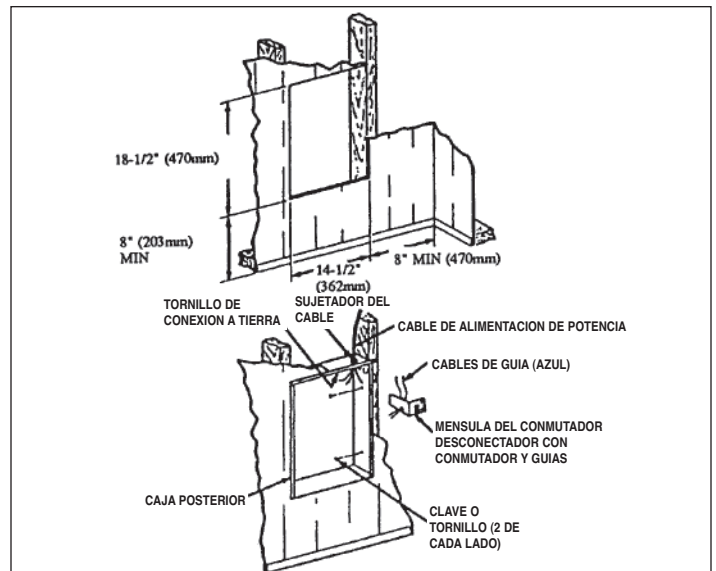


Fig. 2: Ubicación de la Caja Posterior Empotrada en Construcción Existente

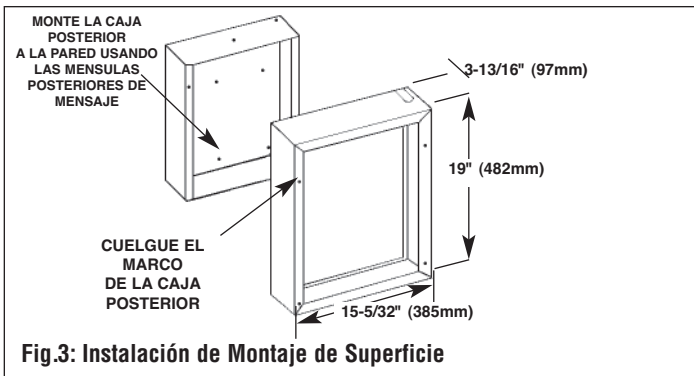
azules de guía del conmutador desconectador a las guías del cable de alimentación usando conectores de cable para facilitar las conexiones.

- Montaje de la Caja Posterior
 - Coloque la caja posterior dentro de la abertura de la pared con el fondo y los lados de la caja al ras con la superficie terminada de la pared. (La brida del tope de la caja posterior debe sobresalir 1/2" o 12.7 mm aproximadamente de la superficie terminada de la pared).
 - Asegure en posición la caja posterior con tornillos o clavos para madera.
- Conmutador Desconectador del Cableado.
 - Conecte los cables de alimentación de potencia a los cables azules del conmutador desconectador usando los conectores de cable (vea el diagrama de cableado, pág. 3).
 - Conecte la caja posterior a tierra conectando el cable guía de conexión a tierra de la alimentación al tornillo verde de conexión a tierra ubicado en el tope interior de la caja posterior.
 - Asegure la ménsula del conmutador desconectador en su lugar ajustando los tornillos.

Table 1

NO. DE MODELO	VOLTIOS	FASE	VATIOS	AMP.	TAMAÑO DEL CABLE
CWH3150	120	1	1500	12.5	12
CWH3180	120	1	1800	15.0	12
CWH3404*	240/208	1	4000/3000 2000/1500	16.7/14.5 8.3/7.2	10 12
CWH3407*	277/240	1	4000/3000 2000/1500	14.5/12.5 7.2/6.3	12 12
CWH3307*	277	1	3000/1500	10.8/5.4	14
CWH3408*	208	1	4000/2000	19.2/9.6	10
CWH34083	208	3	4000	11.1	14
CWH34043	240	3	4000	9.7	14
CWH3504	208/240	1	3600/4800	17.3/20.0	10
CWH3507	240/277	1	3600/4800	15.0/17.3	10
CWH3508	208	1	4800	23.1	10
CWH35083	208	3	4800	13.4	12
CWH35043	240	3	4800	11.6	14
CWH3203	347	1	2000	5.8	14
CWH3206	600	1	2000	3.3	14
CWH3153	347	1	1500	4.3	14
CWH3156	600	1	1500	2.5	14
CWH3303	347	1	3000	8.6	14
CWH3306	600	1	3000	5	14
CWH3403	347	1	4000	11.5	14
CWH3406	600	1	4000	6.7	14
CWH3503	347	1	4800	13.8	12
CWH3506	600	1	4800	8	14

* Cableado de fábrica para el mayor vataje, convertible en el terreno para vatajes inferiores.



Instalación de la caja Posterior con Marco de Montaje de Superficie (Vea la Figura 3)

1. Asegure la caja posterior con las áreas ciegas en el rincón superior derecho usando tornillos y anclas.
2. Cuelgue el marco de montaje de superficie sobre la caja posterior. Asegure que el borde posterior del marco de montaje de superficie esté al ras con la pared.

NOTA: Si el calentador está ubicado en un área de tráfico pesado donde puede estar sujeto a vandalismo o abuso, sea muy precavido para asegurarse que la caja esté firmemente fijada a la pared.

3. Cableado de Potencia de Alimentación

NOTA: Volumen del compartimiento de cables - 119 pulg.³ (1950 cm³)

- a. Tienda un cable de alimentación de potencia dentro del área ciega en la esquina superior derecha del marco de montaje. El arreglo del cableado a este punto debe conformar con los Códigos Eléctricos Nacionales y Locales. Para el tamaño correcto del cable refiérase a la Tabla 1 de la página 2.

NOTA: Si el cableado se tiende a través de la pared, corte un orificio en el área del tope del marco de montaje. Tienda el cable de alimentación a través de este orificio. A continuación extraiga el área "ciega" del tope de la caja de la pared y proceda al paso C.

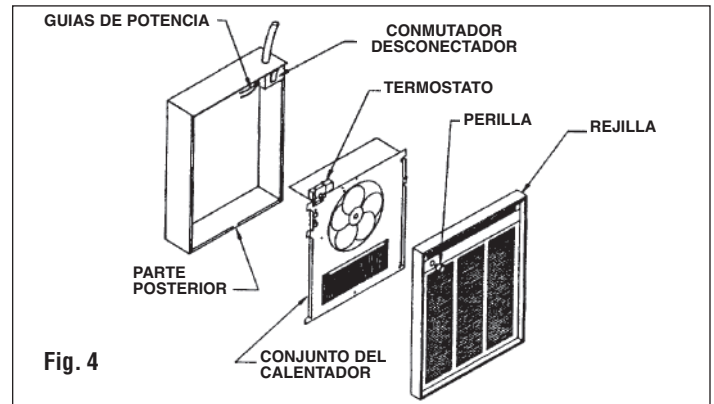
- b. Extraiga el área "ciega" de la parte superior del marco.
- c. Extraiga la ménsula del conmutador desconectador aflojando los dos tornillos del lado derecho.
- d. Inserte el cable de alimentación de potencia a través del sujetador de cable, permitiendo que 6" (152 mm) de guías permanezcan dentro de la caja posterior.
- e. Asegure el cable de alimentación de potencia a la caja posterior (usando un sujetador de cable, conector u otro aliviador de esfuerzo apropiado) permitiendo que 6" (152 mm) de guía permanezcan dentro de la caja posterior.
- f. Conecte los cables de alimentación de potencia a los cables azules del conmutador desconectador usando los conectores de cable (vea el diagrama de cableado).
- g. Conecte la caja posterior a tierra conectando el cable guía de conexión a tierra de la alimentación al tornillo verde de conexión a tierra ubicado en el tope interior de la caja posterior.
- h. Asegure la ménsula del conmutador desconectador en su lugar.

Instalación del Conjunto del Calentador y de la Rejilla

Después que la caja posterior esté completamente instalada y no se espera más construcción que pueda generar suciedad, limpie los desechos de la caja posterior, extraiga el conjunto del calentador de su caja, a continuación refiérase a la Figura 4 y proceda como sigue:

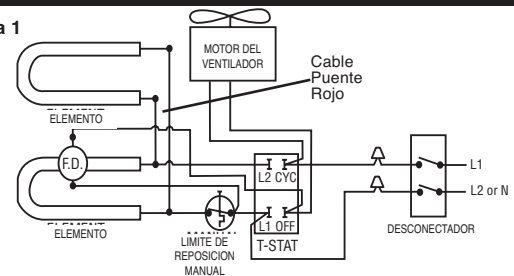
1. Inserte el conjunto del calentador dentro de la caja posterior, colocando los cuatro orificios de montaje (con las ranuras de las chavetas) sobre los tornillos en la caja posterior. Ajuste firmemente todos los tornillos.
2. Si se usa un marco de montaje de superficie, asegúrese que el marco esté al mismo nivel que las cuatro aletas de ensamblado del calentador, antes de ajustar los tornillos.
3. Conecte los dos cables desconectados del conmutador a las guías del conmutador (termostato) de control del calentador usando tuercas para cable. Después de la conexión, empuje los cables dentro de la abertura.
4. Gire la perilla del termostato a la posición extrema contraria a las agujas del reloj.

5. Mueva el conmutador desconectador a la posición ON.
6. Monte la rejilla usando los cuatro (4) tornillos largos provistos. Los tornillos se enroscan dentro de los orificios ubicados en las bridas laterales de la caja posterior.
7. Empuje la perilla del termostato dentro del eje del termostato.



DIAGRAMAS DE CABLEADO (TODOS 1 FASE)

Diagrama 1

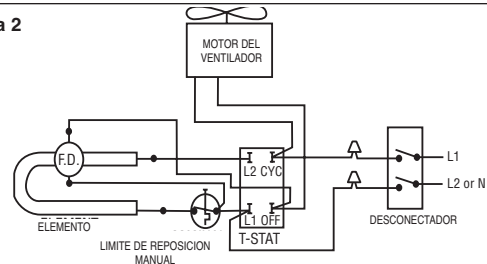


CALENTADORES DE 1500, 1800, 4800, 4000 y 3000 VATIOS

120V, 208V, 240V ó 277V (Los calentadores de vataje pleno pueden convertirse a medio vataje extrayendo el cable puente rojo que conectan los terminales de los elementos del tope y del fondo). Vea diagrama no. 6 para 4800W, 208V.

NOTA: La conversión de potencia (watts) no es aplicable a los modelos CWH3150 y CWH3180

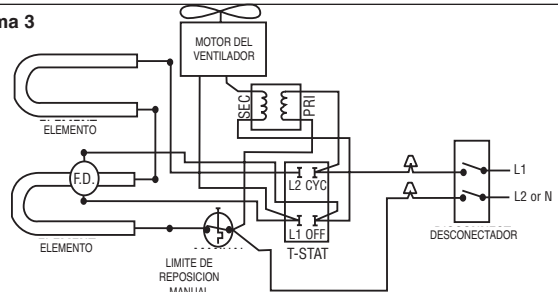
Diagrama 2



CALENTADORES DE 2000 y 1500 VATIOS

208 V, 240 V ó 277 V

Diagrama 3



CALENTADORES DE 4800, 4000 y 3000 WATTS

347 V, 600 V

DIAGRAMAS DE CABLEADO (Cont.)(TODOS 1 FASE)

Diagrama 4

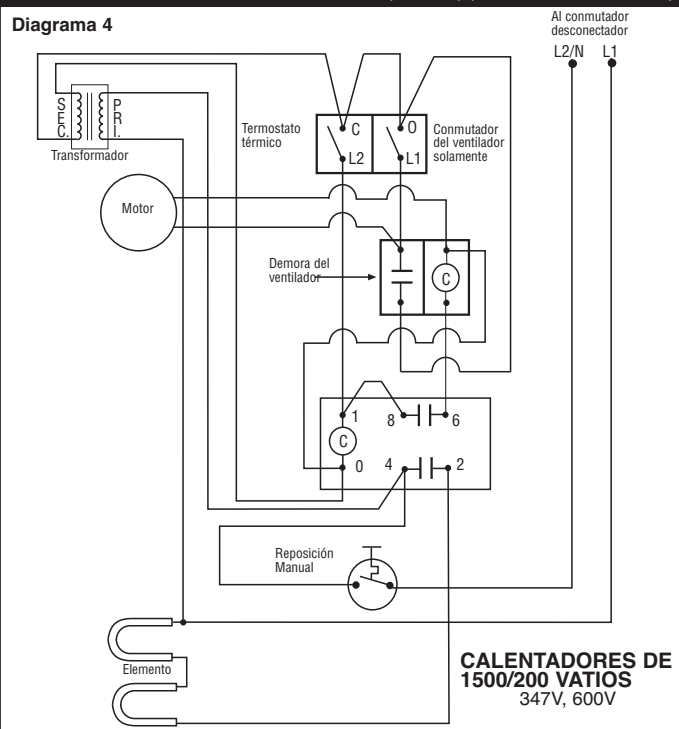


Diagrama 5

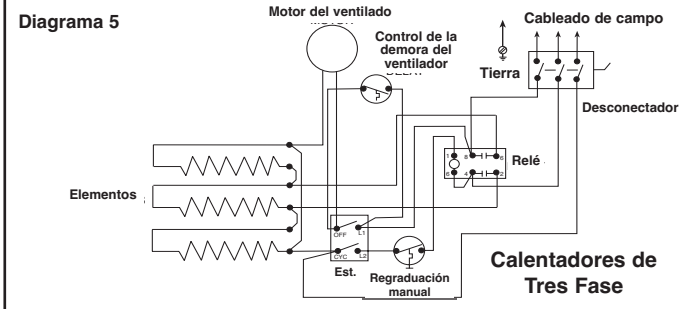
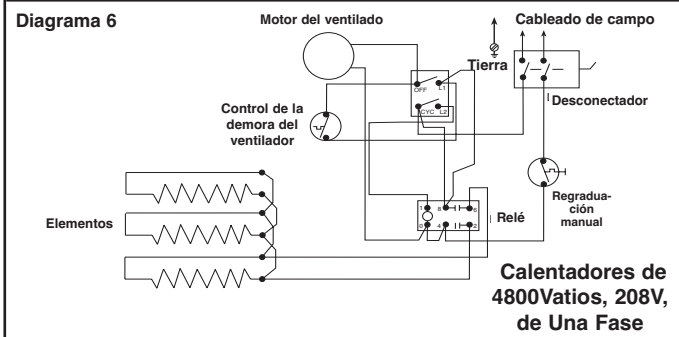


Diagrama 6



PRECAUCION

LA OPERACION DEL CONTROL DEL LIMITE TERMICO DE SEGURIDAD DE REPOSICION MANUAL ES UNA INDICACION QUE EL CALENTADOR HA ESTADO SUJETO A ALGUNA CONDICION ANORMAL. PARA ASEGURARSE QUE EL CALENTADOR NO ESTA AVERIADO, SE RECOMIENDA QUE EL MISMO SE INSPECCIONE POR UN ELECTRICISTA O SERVICIO DE REPARACIONES DE BUENA REPUTACION.

Operación

1. Gire la perilla del termostato completamente en la dirección de las agujas del reloj. Esto debe activar los elementos térmicos y el ventilador causando que el aire tibio fluya desde la descarga de aire caliente en las aberturas del fondo de la rejilla.
2. Después de la inspección de la operación, gire la perilla del termostato a la posición deseada para obtener confort en el cuarto.
3. Para una operación continua del ventilador solamente (los elementos no se activarán) gire la perilla del termostato hasta que el punto indicador de la perilla esté alineado con FAN. (VENTILADOR).

4. Habrá una breve demora desde el momento en que se enciende la unidad hasta que se engancha el ventilador. Esto es para permitir tiempo a los elementos para que se calienten. También, el ventilador continuará funcionando una vez que se haya apagado la unidad para permitir tiempo a los elementos para que se enfríen.

NOTA: Para obtener los mejores resultados, debe dejarse el calentador constantemente encendido (ON) durante la temporada de calefacción, ya que el termostato mantendrá la temperatura deseada, cuando esté debidamente graduado.

Mantenimiento

REPOSICION DEL LIMITE DE REPOSICION MANUAL

Su calentador está equipado con un control de límite térmico de seguridad de reposición manual que apagará automáticamente el calentador para prevenir un incendio en caso que se sobrecaliente el calentador. Este control está ubicado en el conjunto del panel del ventilador entre el elemento y la hélice del ventilador y está marcado "reset". El botón rojo de reposición puede verse a través de la rejilla delantera cuando se instala el calentador. Para reposicionar, permita que se enfríe el ventilador, a continuación accione el botón rojo que es visible a través del orificio del panel del ventilador. El calentador debe regresar inmediatamente a la operación normal.

Debe limpiarse el calentador una vez por año para eliminar el polvo y otras materias extrañas que se han acumulado durante la temporada de calefacción. Cuando se efectúa como sigue, esta es una operación simple:

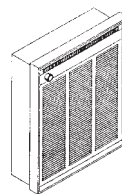
1. Desconecte la potencia eléctrica en el conmutador de la línea principal (o extraiga todos los fusibles) para desconectar la potencia eléctrica del calentador. ESTO ES IMPORTANTE
2. Extraiga la rejilla (Figura 4) y gire el conmutador desconectador a la posición OFF.

PRECAUCION

NO USE AGUA NI UN TRAPO HUMEDO PARA LIMPIAR Y NO MUEVA EL ELEMENTO TERMICO.

3. Elimine el polvo y otras materias extrañas con la boquilla de una aspiradora o trapo para polvo
4. Después de limpiar, gire el conmutador desconectador a la posición ON y vuelva a instalar la rejilla.
5. Para restaurar la potencia al calentador, conecte el conmutador de la línea principal (o vuelva a colocar los fusibles). El calentador está listo ahora para otra temporada de operación.

PLACA DE NOMBRE

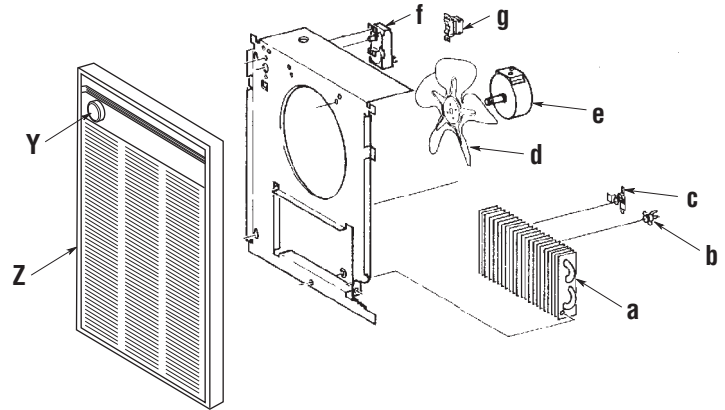


MODELO NO. **CWH3408B** CODIGO DE FECHA: **0402**
 CALENTADOR DE PARED DE TIRO FORZADO
 APPAREIL DE CHAUFFAGE MURAL À AIR PULSÉ
 VOLTIOS DE CA 60HZ VATIOS FASES
 208 4000 1 CALENTADOR DE CUARTO LISTADO 7745
 MUST BE USED WITH BACK BOX
 DO NOT OPERATE WITHOUT FRONT COVER IN PLACE.
 DEBE USARSE CON LA CAJA POSTERIOR
 NO USE SIN LA CUBIERTA DELANTERA EN SU LUGAR.
 MARLEY ENGINEERED PRODUCTS
 BENNETTSVILLE, SC 29512 4104-2046-058

Piezas de repuesto

Nº clave	Descripción	Número de parte
1	Perilla	3301-2016-000
2	Rejilla	2501-2019-001
3	Elemento:	
	CWH1512 120V/1500W	302012827
	CWH1812 120V/1800W	302012828
	CWH3208B 208V/2000W	302015801
	CWH3408B 208V/4000W	302012807
	CWH34083B 208V/4000W/trifásico	1802-2075-800
	CWH3508B 208V/4800W	1802-2075-801
	CWH35083B 208V/4800W/trifásico	1802-2075-801
	CWH3204B 240V/2000W	302015802
	CWH3404B 240V/4000W	302012808
	CWH34043B 240V/4000W/trifásico	1802-2075-802
	CWH3504B 240V/4800W	302012810
	CWH35043B 240V/4800W/trifásico	1802-2075-803
	CWH3157B 277V/1500W	302015806
	CWH3207B 277V/2000W	302015803
	CWH3307B 277V/3000W	302012806
	CWH3407B 277V/4000W	302012809
	CWH3507B 277V/4800W	302012811
	CWH3153B 347V/1500W	302012824
	CWH3203B 347V/2000W	302012808
	CWH3303B 347V/3000W	302012818
	CWH3403B 347V/4000W	302012821
	CWH3503B 347V/4800W	302012823
	CWH3156B 600V/1500W	302012816
	CWH3206B 600V/2000W	302012818
	CWH3306B 600V/3000W	302012820
	CWH3406B 600V/4000W	302012822
	CWH3506B 600V/4800W	302012824
4	Límite manual	4520-2017-000
5	Retardo del ventilador	410740000
6	Aspas del ventilador	490030103
7	Motor:	
	120V	3900-2010-003
	208V	3900-2010-000
	240V	3900-2010-000
	277V	3900-2010-001
	347V	*3900-2010-000
	600V	*3900-2010-000
8	Termostato	5813-2059-000
9	Desconectador 120V, 208V/1Ph., 240V/1Ph., 277V 208V/3Ph., 240V/3Ph., 347V, 600V	410170001 5216-2019-000
10	Transformador del motor 347V Heaters 600V Heaters	5714-2014-001 5814-2014-000

* Vea el artículo 10. Estos calentadores utilizan un transformador para convertir voltaje del calentador al voltaje del motor.



Información de Referencia

Número de Catálogo	Voltios	Fase	Vatios
CWH-3208	208	1	2000
CWH-3408	208	1	4000
CWH-34083	208	3	4000
CWH-3204	208/240	1	1500/2000
CWH-3404	240	1	3000/4000
CWH-34043	240	3	4000
CWH-3207	240/277	1	1500/2000
CWH-3407	277	1	3000/4000

Número de Catálogo	Voltios	Fase	Vatios
CWH-3157	277	1	1500
CWH-3307	277	1	3000
CWH-3508	208	1	4800
CWH-35083	208	3	4800
CWH-3504	208/240	1	3600/4800
CWH-35043	240	3	4800
CWH-3507	240/277	1	3600/4800

GARANTIA LIMITADA

Todos los productos fabricados por Marley Engineered Products están garantizados contra defectos de mano de obra y materiales durante un año a partir de la fecha de instalación. Esta garantía no se aplica por daños ocurridos por accidente, mal uso, o alteración, ni cuando el voltaje conectado sea 5% mayor que el indicado en la placa de nombre; ni al equipo instalado o cableado indebidamente, o mantenido en violación de las instrucciones de instalación del producto. Todos los reclamos de trabajo de garantía deben estar acompañados por prueba de la fecha de instalación.

El cliente será responsable por todos los costos incurridos en la extracción o reinstalación de los productos, incluyendo costos de mano de obra, y costos de transporte incurridos al retornar los productos a Marley Engineered Products Service Center y nosotros las repararemos o reemplazaremos, a nuestra opción, sin cargo para usted, con transporte de regreso pagado por Marley. Se acuerda mutuamente que tal reparación o reemplazo es el remedio exclusivo disponible de Marley Engineered Products.

LAS GARANTIAS INDICADAS ARRIBA SON A CAMBIO DE CUALQUIER OTRA GARANTIA EXPRESA O IMPLICITA Y SE DESCONOCEN Y EXCLUYEN DE ESTE ACUERDO TODAS LAS GARANTIAS IMPLICITAS DE COMERCIALIZACION Y APTITUD PARA UN FIN PARTICULAR QUE EXCEDAN LAS GARANTIAS PREVIAMENTE EXPRESADAS. MARLEY ENGINEERED PRODUCTS NO SERA RESPONSABLE POR DAÑOS CONSECUENTES ORIGINADOS POR EL PRODUCTO, YA SEAN QUE ESTEN BASADOS EN NEGLIGENCIA, LITIGACION, RESPONSABILIDAD ESTRICTA O CONTRATO.

Algunos estados no permiten la exclusión o limitación de los daños incidentales o consecuentes, de manera que la exclusión o limitación indicada arriba puede no aplicarse a usted. Esta garantía le otorga derechos legales específicos, y usted puede tener también otros derechos que varían de estado a estado.

Llame a Marley Engineered Products, Bennettsville, SC 29512 EE.UU., al 1-800-642-4328, para la dirección de su centro autorizado de servicio más cercano. La mercadería retornada a la fábrica debe estar acompañada por una autorización de retorno y una etiqueta de identificación de servicio, ambas disponibles de Marley Engineered Products. Incluya todos los números de catálogo mostrados en el producto, al requerir autorización de retorno.

COMO OBTENER SERVICIO EN GARANTIA, PIEZAS DE REPUESTO E INFORMACION GENERAL

- Servicio o repuestos, en garantía: **1-800-642-4328**
- Compra de piezas de repuesto: **1-800-654-3545**
- Información general sobre productos: **www.marleymep.com**

Nota: Cuando solicite servicio, siempre dé la información que sigue:

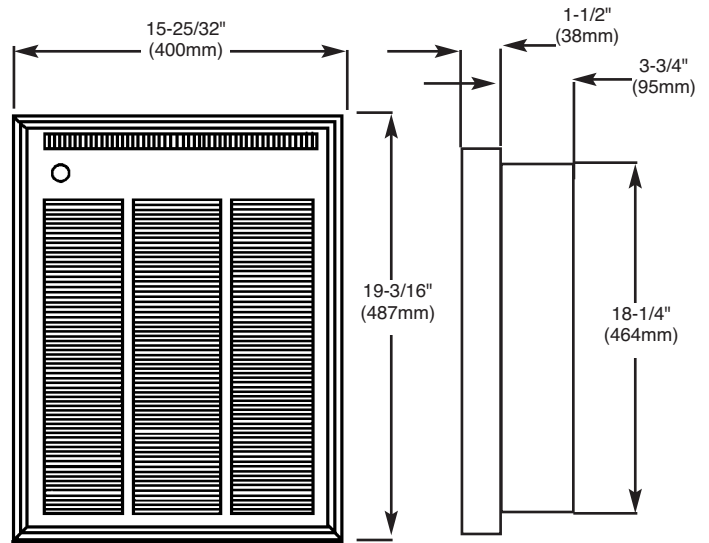
- Número de modelo del producto
- Fecha de fabricación
- Número de parte o descripción



Marley
Engineered Products

470 Beauty Spot Rd. East
Bennettsville, SC 29512 USA

**Radiateurs muraux
à air pulsé
CWH 3000
(Série B)**



DOSSIER N° E21609

Instructions d'installation et d'entretien

Cher propriétaire,

Félicitations! Nous vous remercions d'avoir acheté ce nouveau radiateur fabriqué par Marley Engineered Products. Vous avez fait un bon investissement en choisissant le produit de la meilleure qualité de l'industrie du chauffage. Veuillez lire soigneusement les instructions d'installation et d'entretien apparaissant dans ce manuel. Vous profiterez de nombreuses années de confort de chauffage efficace avec ce produit de Marley Engineered Products ... le leader de l'industrie en conception, fabrication, qualité et service.

... Les employés de
Marley Engineered Products



AVERTISSEMENT



À lire attentivement - Ces instructions sont écrites pour vous aider à éviter des difficultés qui peuvent survenir pendant l'installation des radiateurs. Étudier les instructions au préalable peut vous faire économiser beaucoup de temps et d'argent plus tard. **Observer les procédures suivantes pour réduire le temps d'installation à un minimum.**

1. Pour éviter les électrocutions, couper le courant venant au radiateur au tableau d'alimentation principale avant de câbler ou d'effectuer un entretien.
2. Tout le câblage doit être conforme au code électrique local et national et le radiateur doit être mis à la terre à titre de précaution contre les électrocutions.
3. Avant de mettre sous tension, vérifier que la tension d'alimentation venant au radiateur correspond à la tension nominale indiquée sur la plaque signalétique du radiateur.
4. Ce radiateur est chaud lorsqu'il fonctionne. Pour éviter les brûlures, ne pas laisser la peau nue toucher les surfaces chaudes.
5. Ne pas insérer ni laisser des corps étrangers entrer par les ouvertures de ventilation ou de sortie d'air car cela peut causer une électrocution, un incendie ou une détérioration du radiateur.
6. Pour éviter un incendie, ne pas boucher les prises d'air ou les sorties d'air. Garder les matériaux combustibles, comme les cageots, les rideaux, etc... éloignés du radiateur. Ne pas installer le radiateur derrière des portes, des meubles, des serviettes ou des caisses. Ne pas installer dans le plafond.
7. Un radiateur contient des pièces chaudes et produisant des arcs électriques (étincelles). Ne pas l'utiliser dans des zones de remisage d'essence, de peinture ou de liquides inflammables.
8. Utiliser ce radiateur uniquement selon les instructions de ce manuel. Toute autre utilisation non recommandée par le fabricant peut causer un incendie, une électrocution ou des blessures corporelles.
9. Ce radiateur n'est pas approuvé pour utilisation dans des atmosphères corrosives, comme les zones de remisage de produits chimiques, les serres ou les zones maritimes.
10. Ne pas installer le radiateur à l'envers ni sur le côté. Ne pas utiliser le radiateur sans la grille.
11. Pour fixation murale uniquement. Ne pas installer le radiateur à moins de 203 mm du sol ou d'un mur adjacent. Ne pas l'installer à moins de 915 mm du plafond.

CONSERVER CES INSTRUCTIONS

REMARQUE: Ce radiateur comporte un dispositif de ventilateur uniquement en continu. Voir page 4 pour des détails.

Installation de boîtier arrière encastré dans une construction neuve

- Fixation du boîtier arrière (voir figure 1).
 - Placer le boîtier arrière entre deux poutres murales espacées de 406 mm centre à centre à la hauteur de fixation désirée mais pas à moins de 203 mm du sol ou du mur adjacent.

Remarque: Si l'écartement entre poteaux muraux fait plus de 16" d'entraxe, des supports d'encadrement additionnels peuvent être nécessaires.

- Aligner le boîtier arrière pour que le bas et les côtés soient au ras de la surface finie du mur (le bord supérieur du boîtier arrière doit dépasser d'environ 12,7 mm de la surface finie du mur).

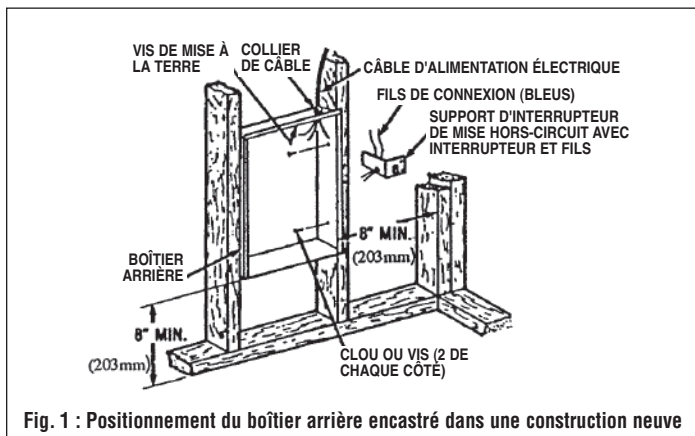


Fig. 1 : Positionnement du boîtier arrière encastré dans une construction neuve

- Bloquer le boîtier arrière en position avec des vis à bois ou des clous comme illustré sur la figure 1.
- Câblage de l'alimentation électrique (voir la figure 1)

REMARQUE: Volume du compartiment de câblage - 1950 cm³

 - Passer un câble d'alimentation dans la découpe du coin supérieur droit du boîtier arrière. Tout le câblage doit être conforme aux codes électriques en vigueur. Consulter le tableau 1 pour connaître la bonne dimension de fil.
 - Enlever le support d'interrupteur de mise hors-circuit en desserrant deux vis sur le côté droit.
 - Installer un collier de câble dans la découpe en haut du boîtier arrière.
 - Insérer le câble d'alimentation dans le collier de câble, en laissant au moins 152 mm de fils de connexion dépasser à l'intérieur du boîtier. Connecter les fils de connexion bleus de l'interrupteur de mise hors-circuit sur les fils d'alimentation avec des connecteurs de fil (voir le schéma de câblage page 3).
 - Mettre le boîtier à la terre en connectant le fil de terre de l'alimentation sur la vis de terre verte sur le bord supérieur intérieur du boîtier.
 - Bloquer en place le support de l'interrupteur de mise hors-circuit en serrant les vis.

Installation du boîtier arrière encastré dans une construction existante

- Faire une ouverture murale de 362 mm de large par 470 mm de haut à la hauteur de fixation désirée, mais pas à moins de 203 mm. (voir la figure 2.)

REMARQUE : Positionnez de façon à ce que au moins un côté de l'ouverture soit contre un poteau mural.

- Câblage de l'alimentation électrique

REMARQUE : Volume du compartiment de câblage - 1950 cm³.

 - Passer un câble d'alimentation dans la zone au-dessus du haut de l'ouverture murale. Tout le câblage doit être conforme aux codes électriques en vigueur. Consulter le tableau 1 pour connaître la bonne dimension de fil.
 - Enlever le support d'interrupteur de mise hors-circuit en desserrant les deux vis sur le côté droit.
 - Installer un collier de câble dans la découpe en haut du boîtier arrière.
 - Insérer le câble d'alimentation dans le collier de câble, en laissant environ 152 mm de longueur de câble à l'intérieur du boîtier pour faciliter les connexions.
- Fixation de boîtier arrière

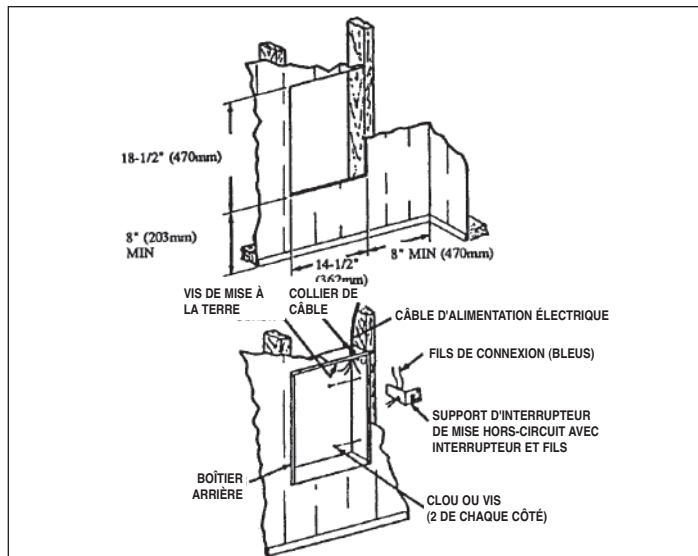


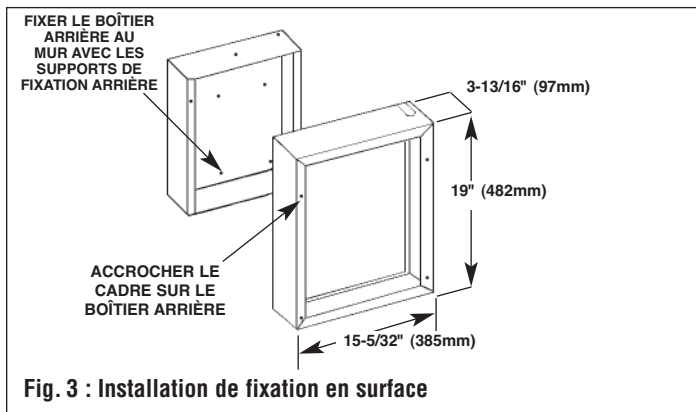
Fig. 2 : Positionnement du boîtier arrière encastré dans une construction existante

- Placer le boîtier arrière dans l'ouverture murale au ras de la surface murale finie sur le bas et les côtés du boîtier. (Le bord supérieur du boîtier arrière doit dépasser d'environ 12,7 mm de la surface murale finie).
 - Bloquer en place le boîtier arrière avec des vis à bois ou des clous.
- Câblage de l'interrupteur de mise hors-circuit
 - Connecter les fils d'alimentation électrique aux fils bleus de l'interrupteur de mise hors-circuit avec des connecteurs de fil (voir le schéma de câblage page 3).
 - Mettre le boîtier à la terre en connectant le fil de terre de l'alimentation sur la vis de terre verte sur le bord supérieur intérieur du boîtier.
 - Bloquer en place le support de l'interrupteur de mise hors-circuit en serrant les vis.

TABLEAU 1

N°	MODÈLE	VOLTS	PH.	WATTS	AMP.	Câblé
	CWH3150	120	1	1500	12.5	12
	CWH3180	120	1	1800	15.0	12
	CWH3404*	240/208	1	4000/3000 2000/1500	16.7/14.5 8.3/7.2	10 12
	CWH3407*	277/240	1	4000/3000 2000/1500	14.5/12.5 7.2/6.3	12 12
	CWH3307*	277	1	3000/1500	10.8/5.4	14
	CWH3408*	208	1	4000/2000	19.2/9.6	10
	CWH34083	208	3	4000	11.1	14
	CWH34043	240	3	4000	9.7	14
	CWH3504	208/240	1	3600/4800	17.3/20.0	10
	CWH3507	240/277	1	3600/4800	15.0/17.3	10
	CWH3508	208	1	4800	23.1	10
	CWH35083	208	3	4800	13.4	12
	CWH35043	240	3	4800	11.6	14
	CWH3203	347	1	2000	5.8	14
	CWH3206	600	1	2000	3.3	14
	CWH3153	347	1	1500	4.3	14
	CWH3156	600	1	1500	2.5	14
	CWH3303	347	1	3000	8.6	14
	CWH3306	600	1	3000	5	14
	CWH3403	347	1	4000	11.5	14
	CWH3406	600	1	4000	6.7	14
	CWH3503	347	1	4800	13.8	12
	CWH3506	600	1	4800	8	14

* Câblé en usine pour une puissance supérieure. Convertible sur site pour une puissance inférieure.



Installation de boîtier arrière avec cadre de fixation en surface (voir la figure 3)

1. Fixer le boîtier arrière au mur avec les découpes dans le coin supérieur droit en utilisant des vis et des chevilles.
2. Accrocher le cadre de fixation en surface sur le boîtier arrière. S'assurer que le bord arrière du cadre de fixation en surface soit au ras contre le mur.

REMARQUE : Si le radiateur se trouve dans une zone de grand passage, où il peut être soumis à du vandalisme ou à des abus, veiller soigneusement à ce que le boîtier soit fermement fixé au mur.

3. Câblage de l'alimentation électrique

REMARQUE: Volume du compartiment de câblage - 1950 cm³

- a. Passer un câble d'alimentation dans la zone du coin supérieur droit du cadre de fixation. La disposition du câblage doit être conforme aux codes électriques en vigueur. Consulter le tableau 1 de la page 2 pour connaître la bonne dimension de fil.

REMARQUE: Si le câblage doit traverser le mur, couper un trou dans la zone du haut du boîtier arrière. Passer le fil d'alimentation dans ce trou. Puis enlever la découpe du haut du boîtier et aller à l'étape C.

- b. Enlever la découpe sur le dessus du cadre.
- c. Enlever le support d'interrupteur de mise hors-circuit en desserrant les deux vis sur le côté droit.
- d. Passer le câble d'alimentation dans le cadre, en laissant 152 mm de fil de connexion à l'intérieur du boîtier arrière.
- e. Bloquer le câble d'alimentation sur le boîtier arrière (avec le collier de câble, le connecteur ou autre dispositif de reprise de traction approprié) en laissant 152 mm de fil de connexion à l'intérieur du boîtier arrière.
- f. Connecter les fils d'alimentation aux fils bleus de l'interrupteur de mise hors-circuit avec des connecteurs de fil (voir le schéma de câblage).
- g. Mettre le boîtier à la terre en connectant le fil de terre de l'alimentation sur la vis verte de terre en haut à l'intérieur du boîtier arrière.
- h. Bloquer en place le support de l'interrupteur de mise hors-circuit.

Installation du radiateur et de sa grille

Lorsque le boîtier arrière est complètement installé et qu'aucune autre saleté de construction n'est supposée être produite, nettoyer les débris du boîtier arrière, sortir le radiateur de sa caisse puis consulter la figure 4 et procéder de la manière suivante :

1. Insérer le radiateur dans le boîtier arrière, en plaçant les quatre trous de fixation (avec les fentes en trou de serrure) sur les vis du boîtier arrière. Serrer fermement toutes les vis.
2. En cas d'utilisation de cadre de fixation en surface, s'assurer que le cadre soit à niveau avec les quatre languettes de radiateur avant de serrer les vis.
3. Connecter les deux fils d'interrupteur de mise hors-circuit aux fils de thermostat avec des écrous de fil. Après connexion, renfoncer les fils dans l'ouverture.
4. Tourner le thermostat à fond dans le sens inverse des aiguilles d'une montre.
5. Pousser l'interrupteur de mise hors-circuit en position MARCHÉ.

6. Fixer la grille avec les quatre (4) longues vis fournies. Les vis se vissent dans les trous sur les parois latérales du boîtier arrière.
7. Pousser le bouton de thermostat sur l'arbre de thermostat.

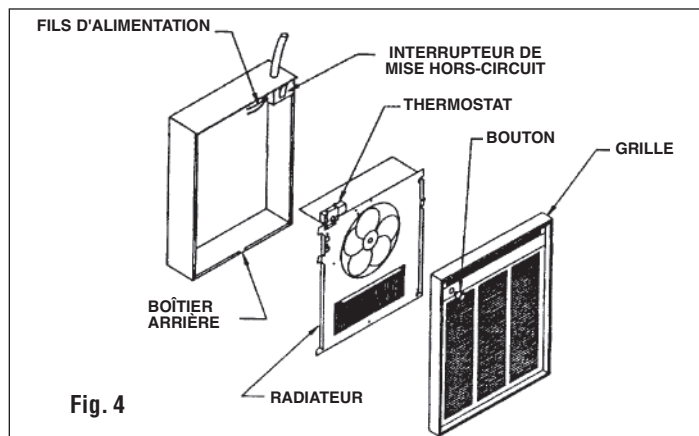
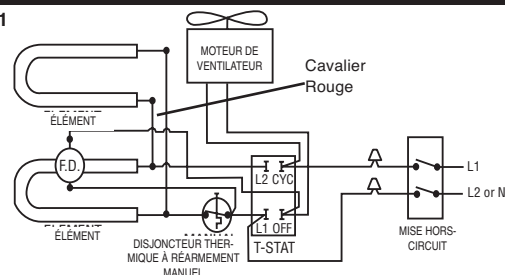


Fig. 4

SCHEMAS DE CÂBLAGE

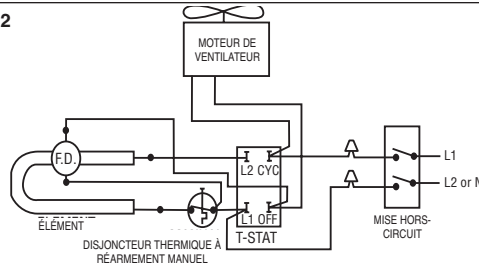
Schema 1



RADIATEURS 4800, 4000 ET 3000 WATTS

208 V, 240 V ou 277 V (Les radiateurs pleine puissance peuvent être convertis en radiateurs demi-puissance en retirant le cavalier rouge connectant les bornes des éléments supérieur et inférieur.) Voir schéma no. 6 pour 4800W, sans 208V
REMARQUE : La conversion de puissance n'est pas applicable aux modèles CWH3150 et CWH3180.

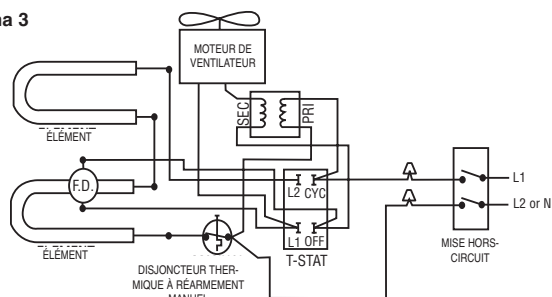
Schema 2



RADIATEURS 2000 ET 1500 WATTS

208 V, 240 V OU 277 V

Schema 3

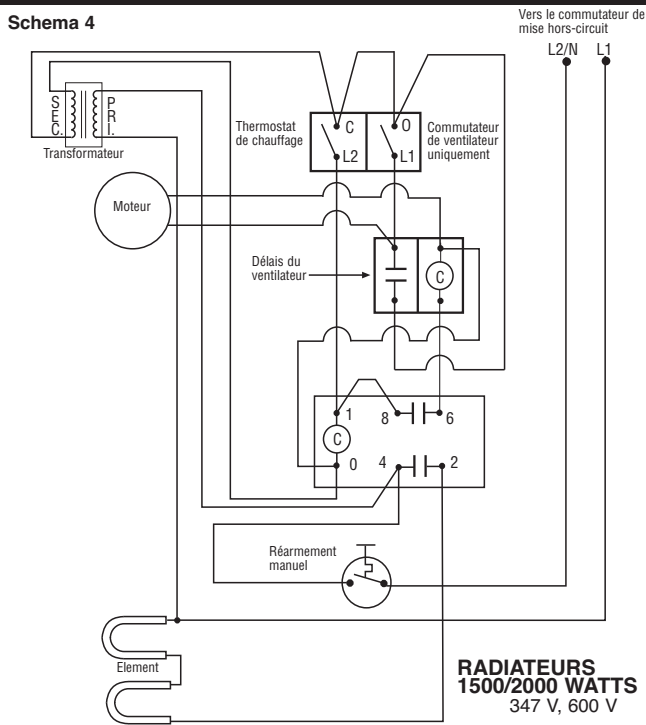


RADIATEURS 4800, 4000 ET 3000 WATTS

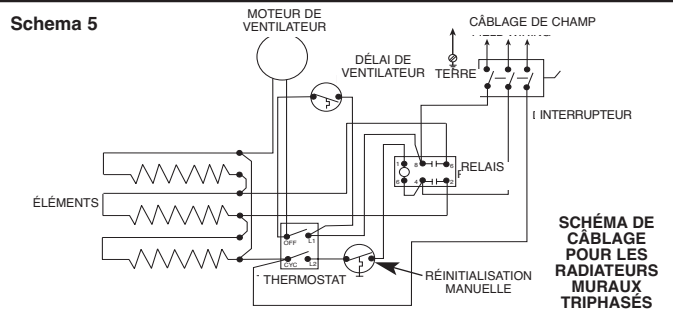
347 V, 600 V

SCHÉMAS DE CÂBLAGE (suite) (TOUS N° 10)

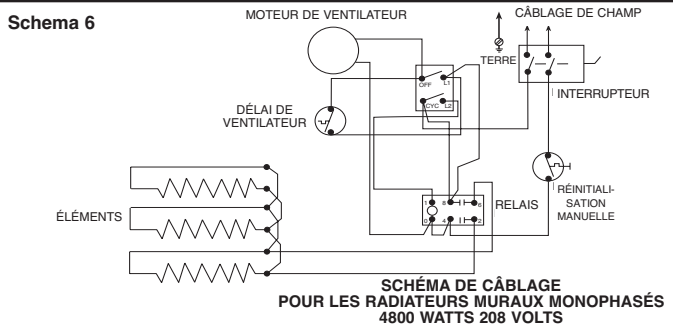
Schema 4



Schema 5



Schema 6



ATTENTION

LE FONCTIONNEMENT DU DISJONCTEUR THERMIQUE DE SÉCURITÉ À RÉARMEMENT MANUEL EST UNE INDICATION QUE LE RADIATEUR A ÉTÉ SOUMIS À UNE CONDITION ANORMALE. IL EST RECOMMANDÉ DE FAIRE VÉRIFIER LE RADIATEUR PAR UN ÉLECTRICIEN RÉPUTÉ OU PAR UN BON SERVICE DE DÉPANNAGE POUR S'ASSURER QUE LE RADIATEUR NE SOIT PAS ÉTÉ DÉTÉRIORÉ.

Utilisation

1. Tourner le bouton du thermostat à fond dans le sens des aiguilles d'une montre. Ceci doit activer les éléments chauffants et le ventilateur, en faisant sortir de l'air chaud des ouvertures en bas de la grille.
2. Après vérification du fonctionnement, tourner le bouton du thermostat à la position désirée pour obtenir un confort ambiant.
3. Pour un fonctionnement du ventilateur uniquement en continu (l'élément n'est pas alimenté), tourner le bouton du thermostat de sorte à aligner le point indicateur sur le bouton avec VENTILATEUR (FAN).

4. Il y a un bref délai entre le moment où l'appareil est mis sous tension et le moment où le ventilateur démarre. Ceci permet aux éléments de chauffer. Le ventilateur continue également de fonctionner après arrêt de l'appareil pour permettre aux éléments de refroidir.

REMARQUE : Pour obtenir de meilleurs résultats, le radiateur doit être laissé en permanence sur la position MARCHE pendant la saison de chauffage parce que le thermostat, lorsqu'il est bien réglé, maintient la température désirée.

Entretien

POUR RÉARMER LE DISJONCTEUR THERMIQUE À RÉARMEMENT MANUEL

Votre radiateur est équipé d'un disjoncteur thermique de sécurité à réarmement manuel qui coupe automatiquement le radiateur pour éviter un incendie si le radiateur surchauffe. Cet organe de contrôle se trouve sur le tableau du ventilateur entre l'élément et la pale de ventilateur et est marqué "reset" (réinitialisation). Le bouton rouge de réarmement peut être vu par la grille avant lorsque le radiateur est installé. Pour réarmer le disjoncteur, laisser le radiateur refroidir, puis appuyer sur le bouton rouge qui est visible par le trou du panneau du ventilateur. Le radiateur doit immédiatement se remettre en fonctionnement normal.

Une fois par an, le radiateur doit être nettoyé; il faut en retirer la poussière et d'autres matériaux étrangers qui s'y sont accumulés pendant la saison de chauffage. C'est une opération simple lorsqu'elle est effectuée de la manière suivante :

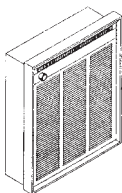
1. Couper le courant au commutateur principal (ou enlever tous les fusibles) pour débrancher le courant électrique du radiateur. C'EST IMPORTANT.
2. Enlever la grille (figure 4) et tourner l'interrupteur de mise hors-circuit en position d'arrêt.

ATTENTION

NE PAS UTILISER D'EAU NI DE CHIFFON HUMIDE POUR NETTOYER ET NE PAS DÉPLACER L'ÉLÉMENT CHAUFFANT.

3. Avec un suceur d'aspirateur ou un chiffon à poussière, enlever la poussière et les autres matériaux étrangers.
4. Après nettoyage, tourner le commutateur de mise hors-circuit sur la position de marche et remettre la grille en place.
5. Remettre le radiateur sous tension à l'aide du commutateur principal (ou remettre les fusibles). Le radiateur est désormais prêt à l'emploi pour assurer une nouvelle saison de chauffage.

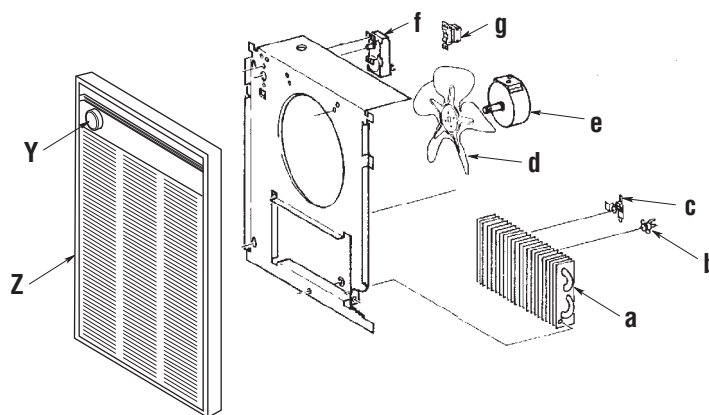
PLAQUE SIGNALÉTIQUE



N° DE MODÈLE **CWH3408B** CODE DE DATE: **0402**
 FAN FORCED WALL HEATER
 APPAREIL DE CHAUFFAGE MURAL À AIR PULSÉ
 VOLTS ALT 60Hz WATTS PHASE
 208 4000 1
 MUST BE USED WITH BACK BOX
 DO NOT OPERATE WITHOUT FRONT COVER IN PLACE.
 DOIT ÊTRE UTILISÉ AVEC BOÎTIER ARRIÈRE AWH-BB
 NE PAS UTILISER SI LE COUVERCLE AVANT N'EST PAS EN PLACE.
 MARLEY ENGINEERED PRODUCTS
 BENNETTSVILLE, SC 29512
 RADIATEUR AMBIANT HOMOLOGUÉ 7746
 4104-2046-058

Identification des pièces de remplacement

N° réf	Description	Numéro de pièce
1	Bouton	3301-2016-000
2	Grille	2501-2019-001
3	Élément:	
	CWH1512 120V/1500W	302012827
	CWH1812 120V/1800W	302012828
	CWH3208B 208V/2000W	302015801
	CWH3408B 208V/4000W	302012807
	CWH34083B 208V/4000W/ 3Ph.	1802-2075-800
	CWH3508B 208V/4800W	1802-2075-801
	CWH35083B 208V/4800W/3Ph.	1802-2075-801
	CWH3204B 240V/2000W	302015802
	CWH3404B 240V/4000W	302012808
	CWH34043B 240V/4000W/3Ph.	1802-2075-802
	CWH3504B 240V/4800W	302012810
	CWH35043B 240V/4800W/3Ph.	1802-2075-803
	CWH3157B 277V/1500W	302015806
	CWH3207B 277V/2000W	302015803
	CWH3307B 277V/3000W	302012806
	CWH3407B 277V/4000W	302012809
	CWH3507B 277V/4800W	302012811
	CWH3153B 347V/1500W	302012824
	CWH3203B 347V/2000W	302012808
	CWH3303B 347V/3000W	302012818
	CWH3403B 347V/4000W	302012821
	CWH3503B 347V/4800W	302012823
	CWH3156B 600V/1500W	302012816
	CWH3206B 600V/2000W	302012818
	CWH3306B 600V/3000W	302012820
	CWH3406B 600V/4000W	302012822
	CWH3506B 600V/4800W	302012824
4	Limiteur manuel	4520-2017-000
5	Temporisation de ventilateur	410740000
6	Pale de ventilateur	490030103
7	Moteur:	
	120V	3900-2010-003
	208V	3900-2010-000
	240V	3900-2010-000
	277V	3900-2010-001
	347V	*3900-2010-000
	600V	*3900-2010-000
8	Thermostat	5813-2059-000
9	Sectionneur	120V, 208V/1Ph., 240V/1Ph., 277V 208V/3Ph., 240V/3Ph., 347V, 600V
		410170001 5216-2019-000
10	Moteur de transformateur	347V Heaters 600V Heaters
		5714-2014-001 5814-2014-000



Données de référence

Numéro de catalogue	Volts	Ph.	Watts
CWH-3208		1	2000
CWH-3408	208	1	4000
CWH-34083		3	4000
CWH-3204	208/	1	1500/2000
CWH-3404	240	1	3000/4000
CWH-34043	240	3	4000
CWH-3207	240/	1	1500/2000
CWH-3407	277	1	3000/4000

Numéro de catalogue	Volts	Ph.	Watts
CWH-3157	277	1	1500
CWH-3307		1	3000
CWH-3508	208	1	4800
CWH-35083		3	4800
CWH-3504	208/ 240	1	3600/4800
CWH-35043	240	3	4800
CWH-3507	240/ 277	1	3600/4800

* Voir le point 10. Ces réchauffeurs emploient un transformateur pour convertir la tension de réchauffeur en tension de moteur

GARANTIE LIMITÉE

Tous les produits visés par ces instructions sont garantis contre les vices de fabrication et de matériau pour une durée de douze mois à compter de la date d'installation, à l'exception des éléments chauffants qui sont garantis contre tout vice de fabrication ou de matériau pour une durée de dix ans à compter de la date d'installation. Cette garantie ne s'applique pas dans le cas d'endommagement attribuable à un accident, un mauvais usage ou une modification. La garantie ne s'applique pas non plus si la tension d'utilisation est supérieure de 5% à la tension indiquée sur la plaque signalétique, ni si l'installation, le câblage ou l'entretien de l'appareil ne sont pas conformes aux instructions contenues dans ce feuillet. Toute demande en vertu de la garantie doit être accompagnée d'une preuve d'achat montrant la date.

Le client assume tous les frais associés à l'enlèvement ou à la réinstallation du produit, y compris les frais de main-d'œuvre et les frais d'envoi des produits à un centre de service Marley Engineered Products. En vertu de cette garantie, les appareils défectueux devraient être retournés au centre du service Marley le plus près ou à Marley Engineered Products Service Center, et nous réparerons ou remplacerons l'appareil, à notre choix, sans frais. L'appareil vous sera retourné sans frais. Il est entendu que la réparation ou le remplacement sont les seules solutions offertes par Marley.

CETTE GARANTIE REMPLACE TOUTE AUTRE GARANTIE CLAIREMENT EXPRIMÉE OU SOUS-ENTENDUE ET TOUTE GARANTIE SOUS-ENTENDUE AYANT TRAIT À L'APPLICATION DU PRODUIT À UNE UTILISATION AUTRE QUE CELLE INDICUÉE DANS LA GARANTIE QUI PRÉCÈDE EST SANS VALEUR ET N'EST PAS VISÉE PAR LA PRÉSENTE ENTENTE. MARLEY ENGINEERED PRODUCTS N'EST PAS RESPONSABLE DES DOMMAGES AU PRODUIT RÉSULTANTS D'UNE NÉGLIGENCE, D'UN TORT, D'UNE RESPONSABILITÉ STRICTE OU DU CONTRAT.

Certaines provinces interdisent la restriction quant à la responsabilité. Il est donc possible que la restriction qui précède ne s'applique pas dans votre cas. Cette garantie vous confère des droits spécifiques. Il est possible que vous ayez d'autres droits, ces derniers varient selon les provinces.

Pour obtenir l'adresse du centre de service le plus près de chez vous, communiquez avec Marley Engineered Products, Bennettsville, SC USA (1-800-642-4328). Tout produit retourné à l'usine doit être accompagné d'une autorisation de retour et d'un bon d'identification. Vous pouvez vous procurer ces documents à l'adresse qui précède. Au moment de demander une autorisation de retour, assurez-vous d'indiquer toutes les références au catalogue qui figurent sur le produit.

COMMENT OBTENIR DES INFORMATIONS GÉNÉRALES ET DEMANDER UNE RÉPARATION OU DES PIÈCES SOUS GARANTIE

- Réparations et pièces sous garantie **1-800-642-4328**
- Achat de pièces de rechange **1-800-654-3545**
- Informations générales sur les produits **www.marleymep.com**

Remarque : Lorsque vous demandez de l'assistance, ayez toujours en main

- Le numéro de modèle du produit
- La date de fabrication
- Numéro ou description de la pièce

